

MASTERFLEX[®]

ENCYCLOPEDIA VOL. 6.0

The Definitive Guide for Masterflex Peristaltic Tubing Pump Systems

Tried, tested, and trusted around the world!



COLEPARMER.COM

Distributed by:

Fiedler Scientific Instruments, s.r.o.
H. Malířové 1, 638 00 Brno, Czech Republic
Telephone: (+420) 541 222 795

Email: info@lab-eu.com info@pristroje.cz

NEW PRODUCT HIGHLIGHTS

I/P® DIGITAL PROCESS DRIVES

- ▶ IP66 and NEMA 4X-rated; spray or hose down to clean
- ▶ Sealed housing available in seamless 316 stainless steel or powder-coat steel
- ▶ Intuitive graphical interface for easy setup and operation
- ▶ Dispense by volume, time, or copy; cumulative volume and batch function
- ▶ Flow rates from 0.0006 to 19 LPM with I/P pump tubing
- ▶ See pages 140–141



I/P® PRECISION MODULAR DRIVES

- ▶ Modular format lets you place drive and controller where convenient
- ▶ Available with either a benchtop or washdown wall-mount controller
- ▶ Three-digit LED displays speed in rpm—ensures repeatable settings
- ▶ Remote control of speed, start/stop, and direction
- ▶ Flow rates from 0.036 to 19 LPM with I/P pump tubing
- ▶ See pages 132–133



L/S® DIGITAL MODULAR DISPENSING DRIVES

- ▶ Intuitive graphical interface for easy setup and operation
- ▶ Dispense by volume, time, or copy; cumulative volume and batch functions
- ▶ Modular format lets you place drive and controller where convenient
- ▶ Available with either a benchtop or washdown wall-mount controller
- ▶ Flow rates from 0.006 to 3400 mL/min with L/S pump tubing
- ▶ See pages 90–91



MASTERFLEX® TYGON® E-LFL PUMP TUBING



- ▶ The best pumping life of any clear Tygon tubing
- ▶ Non-DEHP tubing perfect for laboratory, food & beverage, and biopharm applications
- ▶ Sterilize via ethylene oxide gas or autoclave
- ▶ Compliant with USP Class VI, FDA, EP 3.2.9, ISO 10993, EU Food
- ▶ See pages 22, 34, 69, 71, 127–128, and 153

L/S® VARIABLE-SPEED DIGITAL DRIVES

- ▶ Flow rates from 0.001 to 3400 mL/min with L/S pump tubing
- ▶ New antidrip function ensures dispensing accuracy
- ▶ Brushless motor offers $\pm 0.1\%$ speed control accuracy with a 6000 to 1 turndown
- ▶ Features a maintenance-free, high-accuracy motor and a graphical interface for easy setup and operation
- ▶ See pages 88–89



PURI-FLEX™ PUMP TUBING



- ▶ Ultrapure formulation for the most critical pharmaceutical and biopharm applications
- ▶ No DEHP, REACH-compliant, ultralow extractables and leachables, no animal-derived components
- ▶ Meets USP Class VI and FDA 21 CFR 177.2600 standards
- ▶ Heat weldable and sealable
- ▶ Autoclave at the new higher 135°C (275°F) standard
- ▶ See pages 21, 34, 68, 70, 126, 128, and 153





TABLE OF CONTENTS

MASTERFLEX® TUBING PUMPS INTRODUCTION

| | |
|--|-------|
| ColeParmer.com online services..... | 2-3 |
| Masterflex® tubing pumps—solutions from start to finish..... | 4 |
| Masterflex® OEM design and engineering services..... | 5 |
| Typical Masterflex® applications..... | 6-13 |
| How Masterflex® pump heads work..... | 14 |
| Comparing pumping technologies..... | 14-17 |
| Frequently asked questions about Masterflex® pumps..... | 17 |
| How to select your pump system..... | 18 |
| Why choose Masterflex® pump tubing?..... | 19 |
| Masterflex® pump tubing formulation descriptions..... | 20-24 |
| Tubing formulation highlights..... | 25-29 |
| Masterflex® tubing chemical compatibility charts..... | 30-31 |
| Masterflex® pump types: C/L®, L/S®, I/P®, B/T®..... | 32-33 |

MASTERFLEX® C/L® TUBING PUMPS

| | |
|----------------------------|--------|
| Pump systems..... | 34-37 |
| Microbore pump tubing..... | 34, 36 |

MASTERFLEX® L/S® TUBING PUMPS

L/S® PUMP HEADS

| | |
|--|-------|
| Selection guide..... | 38-39 |
| Standard..... | 40-41 |
| Easy-Load® 3..... | 42-43 |
| Easy-Load® II..... | 44-45 |
| Easy-Load®..... | 46-47 |
| High-Performance..... | 48-49 |
| PTFE-Tubing..... | 50-51 |
| Multichannel..... | 52-55 |
| Multichannel cartridge..... | 56-59 |
| PTFE-Diaphragm..... | 60-61 |
| Micropump® gear pump heads, adapters, and drives..... | 62-65 |
| Ismatec® minicartridge pump heads and tubing sets..... | 66 |
| Valveless piston pump heads and adapters..... | 67 |

L/S® TUBING

| | |
|---|-------|
| Precision pump tubing..... | 68-69 |
| High-performance precision pump tubing..... | 70-71 |
| Sanitary pump tubing assemblies..... | 72 |
| Spooled and bulk-packed pump tubing..... | 73 |

L/S® DRIVES/DISPENSERS

| | |
|----------------------|-------|
| Selection guide..... | 74-75 |
| Fixed-speed..... | 76-77 |

Variable-Speed

| | |
|--|-------|
| Compact, low-flow..... | 78-81 |
| Economy analog console..... | 82-83 |
| Precision console..... | 84-85 |
| Precision modular benchtop and wall-mount..... | 86-87 |
| Digital console brushless..... | 88-89 |
| Digital modular brushless benchtop and wall-mount..... | 90-91 |
| Digital process..... | 92-93 |

Specialty

| | |
|--|---------|
| Computer-compatible digital brushless..... | 94-95 |
| ServoDyne™ and Stir-Pak® mixer systems..... | 96-97 |
| Digi-Staltic® modular dispensing system..... | 98-100 |
| Air-powered..... | 101 |
| Hazardous duty..... | 102 |
| NEMA Type 56C pump head adapters..... | 103 |
| Portable samplers..... | 104-105 |
| Composite digital sampler..... | 106 |
| DC-powered..... | 107 |

L/S® COMPLETE PUMP SYSTEMS

| | |
|-----------------------------------|---------|
| Complete tubing pump systems..... | 108-117 |
|-----------------------------------|---------|

MASTERFLEX® I/P® TUBING PUMPS

I/P® PUMP HEADS

| | |
|-----------------------|---------|
| Selection guide..... | 118-119 |
| Standard..... | 120-121 |
| Easy-Load®..... | 122-123 |
| High-Performance..... | 124-125 |

MASTERFLEX® I/P® TUBING PUMPS (continued)

I/P® TUBING

| | |
|---|---------|
| Precision pump tubing..... | 126-127 |
| High-performance precision pump tubing..... | 128 |
| Sanitary pump tubing assemblies..... | 129 |
| Spooled and bulk-packed pump tubing..... | 130 |

I/P® DRIVES

| | |
|----------------------|-----|
| Selection guide..... | 131 |
|----------------------|-----|

Variable-Speed

| | |
|--|---------|
| Precision modular benchtop and wall-mount..... | 132-133 |
| Analog process..... | 134-137 |
| Digital modular benchtop and wall-mount..... | 138-139 |
| Digital process..... | 140-141 |

Specialty

| | |
|---------------------------------------|-----|
| Air-powered..... | 142 |
| Fixed-speed process..... | 143 |
| Hazardous-duty..... | 144 |
| NEMA Type 56C pump head adapters..... | 145 |

I/P® COMPLETE PUMP SYSTEMS

| | |
|-----------------------------------|---------|
| Complete tubing pump systems..... | 146-151 |
|-----------------------------------|---------|

MASTERFLEX® B/T® TUBING PUMPS

| | |
|--|---------|
| Selection guide..... | 152 |
| PerfectPosition™ pump tubing..... | 153 |
| Variable-speed analog drives..... | 154-155 |
| Variable-speed air-powered drives..... | 154-155 |
| Variable-speed modular digital drives..... | 156-157 |
| Fixed-speed analog drives..... | 158 |
| Rapid-Load® pump heads..... | 159 |

ACCESSORIES

| | |
|---|---------|
| Liqui-Sense® fluid monitoring system..... | 160-161 |
| Fittings..... | 162-166 |
| Tubing accessories..... | 166-167 |

PARTS

| | |
|---|---------|
| Replacement parts for L/S® and I/P® pump heads..... | 168-169 |
| Replacement parts for Masterflex® drives..... | 170-171 |

TECHNICAL DATA

MASTERFLEX® PERFORMANCE DATA

| | |
|--|---------|
| C/L® microbore tubing life data..... | 172 |
| L/S® tubing life data..... | 173-175 |
| I/P® tubing life data..... | 176-178 |
| B/T® tubing life data..... | 179-180 |
| Flow rates for Masterflex® pump heads..... | 181-183 |
| Pressure and suction lift data for Masterflex® pump heads..... | 184-185 |
| Pump head torque requirements..... | 186-187 |
| Application tips..... | |
| Dispensing applications..... | 188-189 |
| Pumping abrasive and viscous fluids..... | 190 |
| Tubing selection guide for viscous fluids..... | 191 |
| Vacuum/suction lift data..... | 192 |

GENERAL TECHNICAL DATA

| | |
|---|---------|
| Cord/plug guide..... | 193 |
| Regulatory agencies and approvals..... | 193 |
| Ingress protection (IP) ratings..... | 194 |
| NEMA/IEC ratings..... | 194 |
| Standard pipe threads..... | 194 |
| ATEX directive and classifications..... | 195 |
| NEC classifications..... | 195 |
| Glossary of terms..... | 196 |
| Conversion factor tables..... | 197 |
| Chemical resistance charts..... | 198-206 |
| Index..... | 207-208 |

MASTERFLEX PUMPS AND TUBING—TRIED, TESTED,

Only Masterflex offers unparalleled versatility and standard-setting reliability—performance produced by more than 55 years of manufacturing peristaltic pumps. Our experience makes us fluid handling experts with the technical resources to help you design the exact pump system you need. Simply go to www.coleparmer.com/masterflex to take advantage of these free resources 24 hours a day:

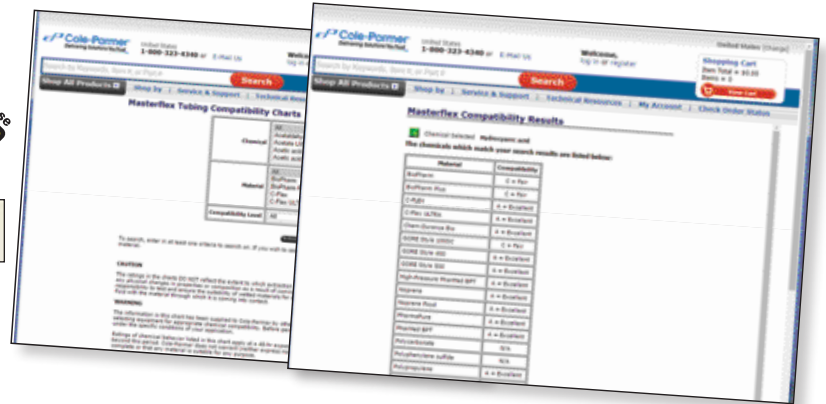
CHEMICAL COMPATIBILITY DATABASE COLEPARMER.COM/MFLEXCHEM

Check the chemical compatibility of materials with the fluids in your experiment or process. The database includes the chemical resistance information for Masterflex tubing formulations at a glance.

Cole-Parmer's Chemical Compatibility Database App



Cole-Parmer's Chemical Compatibility Database App
 Download iPhone App Now
 Chemical compatibility ratings where and when you need it—FREE!



APPLICATIONS SOLUTIONS DATABASE

COLEPARMER.COM/MASTERFLEX-APPLICATIONS

Search our Applications Solutions Database to see how other users have found solutions to similar applications with Masterflex pumps! Read success stories from a wide variety of industries and leverage the experience of a worldwide Masterflex user community. Plus, discover innovative uses for versatile Masterflex tubing pump systems.



PUMP SYSTEM CONFIGURATOR

COLEPARMER.COM/MASTERFLEXCONFIGURATOR

Find the right peristaltic pump for your needs! The Masterflex Online Pump Configurator is an interactive tool. Simply input your pumping parameters and instantly view a list of appropriate Masterflex product recommendations.

Masterflex Pump Configurator

Step 1: Application | Step 2: Pump Selection | Step 3: Summary and Options

New Set-up vs. Add-on

New Set-up. We recommend the entire system: Pump head, Tubing and Drive.

Select Components or Add-on to components you already own. If you already own a Masterflex Pump head, Tubing or Drive, and want recommendations for additional components to work with it, use the pull-downs to indicate the item number of the component(s) that you have already.

Flow Specifications

Flow Volume:

Flow Channels:

Flow Type:

Pressure:

Suction Lift:

Temperature:

Select a Fluid

Viscosity:

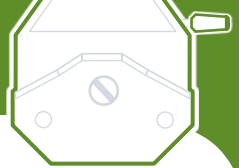
Masterflex Pump Configurator for selecting your perfect pump click here

VIDEOS

COLEPARMER.COM/VIDEOS

Learn how to install and use your Masterflex pump system more effectively! Our collection of video tutorials walks you through the steps of installing, calibrating, and using your Masterflex pump for optimal performance.





AND TRUSTED AROUND THE WORLD!

TECHNICAL LIBRARY

COLEPARMER.COM/TECHINFO

Find helpful technical articles, application-based resources, selection guides, white papers, operating manuals, newsletters, and more! Browse this useful information to understand the power of Masterflex tubing pumps and their uses in nearly every industry:



- Laboratory research
- Environmental
- Industrial
- Chemical
- Food & Beverage
- Pharmaceutical
- And more!

PRODUCT REVIEWS

Solution delivered! Masterflex pumps have proven versatile and effective for customers in many industries. Don't just take our word for it—customer-written product reviews tell the story. Read what other users are saying about their experiences with Masterflex pumps and tubing.

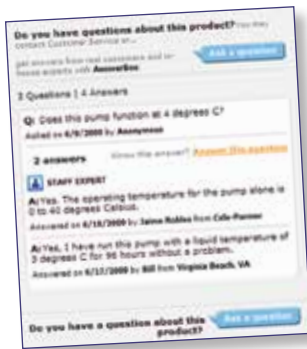
“We used this product several times in our laboratory. It is very durable and sturdy. We will continue to use this product, and hopefully maintain a solid relationship with Cole-Parmer in years to come.”



“We use this product... and it works like a dream.”



“I purchased one of these about a year ago and was very happy with it so I purchased another one. We have had no problem with it.”



ANSWERBOX ONLINE PRODUCT SUPPORT

Ask questions about a specific product and get answers from both in-house technical experts and actual product users. Like product reviews, past AnswerBox discussions are available for web site users to read—and may often solve the problem!

FULL SUPPORT WHENEVER YOU NEED IT—JUST A CLICK AWAY AT COLEPARMER.COM/MASTERFLEX



MASTERFLEX® TUBING PUMPS—FROM CONCEPT TO APPLICATION

Masterflex® tubing pump systems are made to exact specifications using a proven process developed over more than 55 years. This is key to our promise to deliver solutions you trust.

CUSTOMER INPUT

Before we create any Masterflex® tubing pump, we define the unique needs of our customers.



Customer Input

CONCEPT

This is where we put our over 50 years of experience in developing more than 5,000 products to work. It's where we consider all the possibilities, including specific applications, product adaptability, and costs.



Engineering

ENGINEERING

Once a product is conceptualized, proven procedures are maintained to control and verify its design to ensure that specified requirements are met.



Prototyping

TESTING

The appearance of the following regulatory agency icons are your assurance that those products meet applicable standards for safety and reliability:



PRODUCTION

Masterflex pumps are manufactured in a facility whose quality management system is registered to ISO 9001:2008.



Testing

CUSTOMER/APPLICATION SERVICES

Our partnership with you doesn't end with the sale. We are available for follow-up, technical support, and service to ensure you are completely happy with your product. Our maintenance staff is available to quickly handle repairs and can help you identify replacement parts.

Finally, our expert Application Specialists can help you with product selection and maintenance, and offer you continuous support.



Customer/
Application
Services



Markets Served

- ▶ Biotechnology
- ▶ Pharmaceutical
- ▶ Chemical
- ▶ Food & Beverage
- ▶ Cosmetics
- ▶ Industrial
- ▶ Research & Development
- ▶ Printing
- ▶ Water/Wastewater
- ▶ Manufacturing
- ▶ Semiconductors
- ▶ Textiles
- ▶ Education
- ▶ Environmental and more...



OEM DESIGN CAPABILITIES

Our Original Equipment Manufacturer (OEM) team has more than 100 years of combined experience in custom designing fluid handling solutions. We provide thousands of quality products for scientific, technical, and industrial applications worldwide. When you require a product that is different from the products we advertise, or you need a feature from one of our products to meet your specific system requirement, we offer our OEM services.

CAPABILITIES

We are known as an industry leader in the design, engineering, and manufacturing of peristaltic tubing and hose pumps, diaphragm metering pumps, vacuum/pressure pumps, flowmeters, and mixers.

MARKETS AND APPLICATIONS

We specialize in the following markets: medical, semiconductor, wastewater treatment, food and beverage, biotechnology, filtration, pharmaceutical, environmental, printing, and metal finishing. Our products are used as irrigation and cooling pumps for medical devices, auto-analyzer pumps, pumping inks onto electric cable insulation, high-purity filtration systems, and many more specialized needs.

WORK DIRECTLY WITH OUR EXPERT OEM ENGINEERS

Our first objective is defining your needs. We will discuss the project in detail—engineering staff to engineering staff. Once we jointly define your requirements, we will work with you through the entire design and manufacturing process.

AFTER-SALE TECHNICAL SUPPORT IS A KEY SERVICE WE PROVIDE

Our partnership doesn't end with product delivery. We are always available for follow-up service and technical support. We want to ensure that you remain completely satisfied with your final product.

TECHNICAL INFO

High-quality products conform to the following standards:

- ▶ ISO 9001:2008 Quality Management
- ▶ ETL Safety
- ▶ UL Safety
- ▶ cUL Safety, Canada
- ▶ CE – Electrical emissions
- ▶ EN61010 Safety, EU

FLOW PERFORMANCE

From volumes less than a teardrop to flow rates more than a fire hose, we can provide a custom solution for your specific fluid transfer needs.

Flow rates: less than 10 µL/min to more than 400 LPM

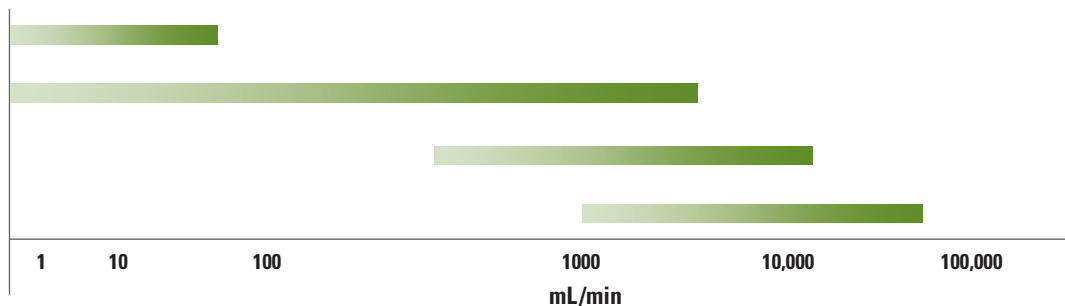
Pressure performance: up to 10.2 bar

C/L® SERIES

L/S® SERIES

I/P® SERIES

B/T® SERIES



Our custom design group provides win-win solutions for your product design.



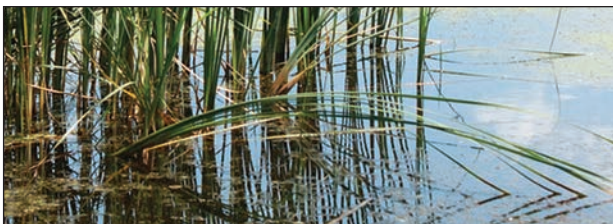
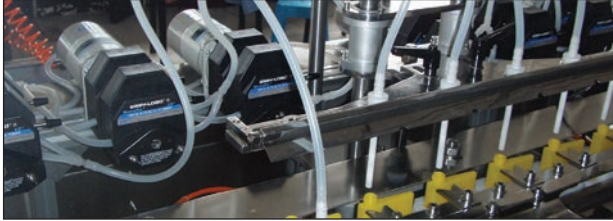
INNOVATIVE PUMP SOLUTIONS FOR YOUR APPLICATIONS

1-847-549-7600



MASTERFLEX® APPLICATIONS

Masterflex® tubing pump systems are perfect in the laboratory, manufacturing plant or field—for the end-user or OEM use. The convenient modular design of the systems (**Pump Head + Tubing + Drive**) allows you to use one pump drive for many applications, making Masterflex extremely versatile and cost-effective. The easy-loading pump head designs, coupled with a variety of specialty and general-use tubing formulations, make Masterflex the best choice for all your fluid handling needs.



This Applications Section describes a small sample of Masterflex applications. The products being applied in these applications can help you determine the ideal Masterflex system for your needs. As always, you can call our Application Specialists to determine the best pump for your application.

PHARMACEUTICAL & BIOTECH

Masterflex pumps are designed to be non-contaminating and noninvasive, making them the pumps of choice in the pharmaceutical industry. Easy-Load® pump heads and a wide range of drives fit many applications, from pumping nutrients or pH adjusters for fermentation, to dispensing cosmetics into small containers. Tubing is available that is compliant with USP Class VI, FDA, EP, and can be easily sterilized.

RESEARCH & DEVELOPMENT

Masterflex tubing pump systems are ideal for research and development. The pumps are very easy to load and extremely versatile for use in the laboratory or process scale-up areas. Repeatability is excellent for low-volume dispensing and metering applications, and, under most conditions, the valveless design eliminates clogging and siphoning of fluid. These modular systems allow you to use one pump drive for many applications.

INDUSTRIAL & MANUFACTURING

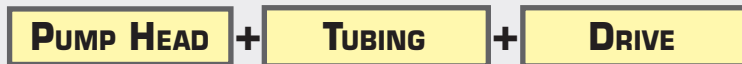
For everyday transferring and metering applications in the laboratory or plant, Masterflex pumps are the answer. They offer predictable service in continuous-duty areas, while solving many tough pumping applications. Use these pumps to handle wastewater, suspended solids, harsh chemicals and more; up to 42 LPM (11.1 GPM). The pumps are easy to use and maintain, and the drives are designed to handle the rugged environment of any plant.

FOOD & BEVERAGE

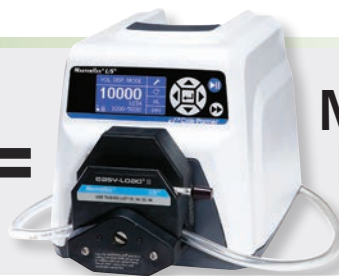
Masterflex can handle a wide range of fluids, from hot water and vitamin solutions to thick molasses. The pump heads are designed for easy tubing exchange, and a wide selection of the drives have "wash-down" capabilities. Most importantly for food applications, Masterflex tubing is available that meets USP Class VI, FDA, NSF, EP, and 3A requirements.

ENVIRONMENTAL & SPECIAL

Portability and convenience are built into every Masterflex environmental sampling pump. Choices of DC or AC systems facilitate simple, accurate sample collection. The suction lift and noninvasive/noncontaminating designs of our pump heads and tubing enable sample collection in accordance with EPA and other standard protocols.



=



**MASTERFLEX®
PUMP SYSTEM**



PHARMACEUTICAL & BIOTECH



APPLICATION EXAMPLES

- ▶ Harvesting cell media
- ▶ Manufacturing IV bag dispensing
- ▶ Spiral ultrafiltration
- ▶ Fermentation control
- ▶ Dissolution testers
- ▶ Cosmetic dispensing

| FEATURES | BENEFITS |
|--------------------------------|--|
| Wide range of tubing materials | Compatible with many laboratory chemicals. |
| Noncontaminating | Fluid media only contacts inside of tubing. |
| Easy cleanup | Just change the tubing to clean the pump |
| Multichannel capability | Use up to 32 channels simultaneously on one drive. |
| Sanitary connections on tubing | Quick tubing connections within sanitary systems. |
| Handles viscous materials | Dispense agars and suspensions. |
| Runs dry | Use as a low-flow aspirator or air/vacuum pump. |
| Modular design | Mix and match pump heads, tubing, and drives. |
| OEM packages | Design into your lab dispensers or analytical equipment. |



BIOPROCESS PUMP

- ▶ Accurately pump nutrient media from a bulk source into bio-bag sterile containers
- ▶ Silicone tubing for easy flow monitoring and biocompatibility; can be sterilized by gamma irradiation
- ▶ Flow rates: 0.28 to 1700 mL/min with L/S® 24 tubing
- ▶ Monitor flow rate, volume, batch count, cumulative volume, copy number, and rpm
- ▶ Easy calibration—store one value per tubing size
- ▶ Easy-Load® II pump head for fast tubing changes
- ▶ Drive is IP66 and NEMA 4X rated—easily cleaned or washed down after use

Pump products shown

- [HL-77200-62](#) L/S® Easy-Load® II Pump Head (pages 44–45)
- [HL-96410-24](#) L/S 24 Platinum-Cured Silicone Tubing (pages 70–71)
- [HL-07575-10](#) L/S Digital Process Drive (pages 92–93)



FERMENTATION PUMP

- ▶ Pump media into or out of fermenters
- ▶ Meter additives, antifoam agents, and acid/base for pH control
- ▶ Noncontaminating; easy sterilization and cleanup
- ▶ Remote control of speed, direction, and start/stop
- ▶ Quick, easy tubing changes between samples
- ▶ Platinum-cured silicone tubing ensures excellent biocompatibility

Pump products shown

- [HL-77200-52](#) L/S Easy-Load II Pump Head (pages 44–45)
- [HL-96410-16](#) L/S 16 Platinum-Cured Silicone tubing (pages 68–69)
- [HL-07522-20](#) L/S Digital Standard Drive (pages 88–89)



PROCESS FILTRATION PUMP

- ▶ Pump media and other fluids through sanitary process filters
- ▶ Noncontaminating; facilitates application of single-use tubing and assemblies
- ▶ Remote control of speed, direction, and start/stop
- ▶ Quick, easy tubing changes between process applications
- ▶ I/P 88 pump tubing offers flow up to 17 LPM and pressure up to 2.5 bar (35 psi)
- ▶ Sanitary tube set with premolded ends simplifies connections
- ▶ Drive is IP66 and NEMA 4X rated—easily cleaned or washed down after use

Pump products shown

- [HL-77600-62](#) I/P® High-Performance Pump Head (pages 124–125)
- [HL-96112-88](#) I/P 88 PharMed® BPT Sanitary Tubing Assembly (page 129)
- [HL-77420-10](#) I/P Digital Process Drive (pages 140–141)



BULK MEDIA TRANSFER PUMP

- ▶ Modular format for convenient component placement; controller can be wall mounted
- ▶ IP56 rated controller and drive are protected from water spray in washdown environments
- ▶ Program dispense volume for repetitive filling protocols
- ▶ Flow rates up to 17.7 LPM with B/T 87 PerfectPosition™ PumpTubing
- ▶ Rapid-Load® pump head makes tubing changes quick and easy
- ▶ PharmaPure® tubing offers excellent pump life and meets EP, FDA, and USP classifications

Pump products shown

- [HL-06435-87](#) B/T® 87 PharmaPure® Pump Tubing (page 153)
- [HL-77111-40](#) B/T Digital Modular Pump (pages 156–157)

RESEARCH & DEVELOPMENT



APPLICATION EXAMPLES

- ▶ Acid/base dispensing
- ▶ Aspiration of tissue culture media
- ▶ Circulation of cell suspension in fermentation
- ▶ Chromatography
- ▶ Coolant circulation in low temp baths
- ▶ Desiccator air circulation
- ▶ Distilled water transfer
- ▶ Dispensing agar into petri dishes
- ▶ Electrophoresis
- ▶ Elutriation
- ▶ Filtration pumps
- ▶ Flow injection analysis
- ▶ Gas sampling system
- ▶ Gel column pump
- ▶ Injection metering pump
- ▶ Liquid-phase chemiluminescence
- ▶ Magnetic particle separation
- ▶ Nutrient supply for cultures
- ▶ pH acid/base metering
- ▶ Spectrophotometer pump
- ▶ Sterilized media dispensing
- ▶ Transfer pump-circulating baths
- ▶ Toxicology assays (salt solutions)



ANALYZER FEED PUMP

- ▶ Perfect for low-flow analytical applications
- ▶ Connects easily to flow cells in spectrophotometers, refractometers, and other instruments
- ▶ Highly accurate—multiple rollers, continuous circulation, and reduced pulsation
- ▶ Compact size permits flexible placement on benchtop
- ▶ Silicone tubing offers clarity for visually monitoring fluid flow and excellent biocompatibility.

Pump products shown

[HL-95590-42](#) 2.06 mm ID Platinum-cured silicone Microbore Pump tubing (page 34)

[HL-77122-14](#) C/L® Single-Channel Pump (pages 34–35)

| FEATURES | BENEFITS |
|--------------------------------|---|
| Modular design | Mix/match pump heads, tubing, and drives for many applications. |
| Noncontaminating | Fluid media only contacts inside of tubing. |
| Adjustable occlusion | Over-occlude for priming and pressure; reduce for longer tubing life. |
| Reversible | Operate in both directions without disconnecting tubing. |
| Wide range of tubing materials | Compatible with numerous laboratory chemicals. |
| Multichannel capability | Use up to 32 channels simultaneously on one drive. |
| Easy cleanup | Simply change the tubing to clean the pump. |
| Runs dry | Use as a low-flow aspirator or air/vacuum pump. |
| Easily sterilized | Sterilize tubing via ethylene oxide, gamma radiation, or autoclave. |
| High-accuracy dispenser | Calibrate digital drives for accuracies up to ±0.5%. |
| Low cell disruption | Circulate cell tissue with minimal damage (low shear). |
| Remote control | Interface with PC or other analytical instruments. |
| Self-priming | Generates vacuum up to 660 mm Hg (26" Hg). |
| Handles viscous materials | Dispense agars and suspensions. |
| OEM packages | Design into your lab dispensers or analytical equipment. |



ELECTROPHORESIS CIRCULATION/COOLING PUMP

- ▶ Modular format permits convenient placement of components; drive can be placed in a hood or safety cabinet with controller outside
- ▶ Simple drive controls with separate speed control and on/off/reverse switch; turn pump on or off while maintaining speed settings
- ▶ Reversible motor for pumping in either direction
- ▶ Dual-channel head lets you pump two channels simultaneously
- ▶ Silicone tubing lets you make low-pressure connections in seconds
- ▶ Drive and L/S 16 tubing deliver a flow range of 4.8 to 480 mL/min

Pump products shown

[HL-77202-50](#) L/S® Easy-Load® II Dual-Channel Pump Head (pages 44–45)

[HL-96400-16](#) L/S 16 Peroxide-Cured Silicone Pump Tubing (pages 68–69)

[HL-07557-00](#) L/S Precision Modular Drive (pages 86–87)

GRADIENT PUMP

- ▶ Remote programming and control via PC work station
- ▶ Control functions include dispensing onto or off of a balance for gravimetric measurements
- ▶ Highly accurate; easy to program and calibrate
- ▶ Independently program up to 25 pump/mixers to develop gradients
- ▶ Program each pump or mixer for up to 50 steps
- ▶ Tygon® E-LFL tubing is clear for visually monitoring fluid flow



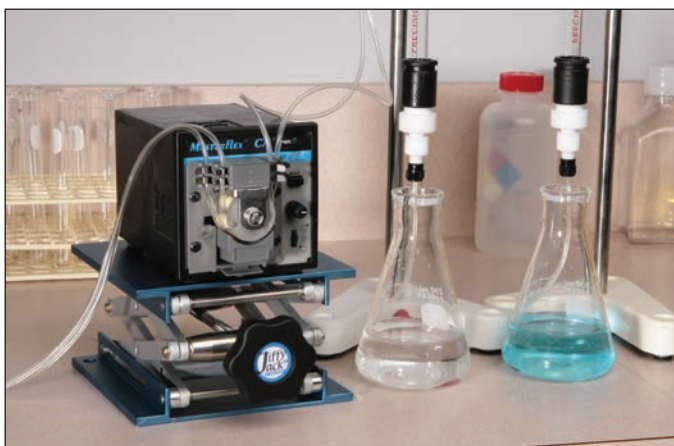
Pump products shown

[HL-07015-21](#) L/S Standard Pump Head (pages 40–41)

[HL-06440-15](#) L/S 15 Tygon® E-LFL Pump Tubing (pages 70–71)

[HL-07551-00](#) L/S Computer-Compatible Digital Drive (pages 94–95)

See pages 96–97 for ServoDyne™ and Stir-Pak® mixer systems



CHROMATOGRAPHY PUMP

- ▶ Low-pressure, low-volume flow for gravity-feed columns
- ▶ Dual-channel pump feeds two columns simultaneously
- ▶ Clarity of Tygon® tubing permits visual monitoring of flow
- ▶ Start/stop pump remotely
- ▶ Variable-speed pump accepts multiple tubing sizes for wide flow range
- ▶ Multi-roller pump is nonsiphoning; eliminating risk of backflow

Pump products shown

[HL-06460-34](#) 1.42 mm ID Tygon® E-Lab Microbore Pump tubing (page 36)

[HL-77120-42](#) C/L Dual-Channel Pump (pages 36–37)



AGAR DISPENSING PUMP

- ▶ Dispenses samples of agar from 0.05 to 8000 mL
- ▶ Highly accurate: $\pm 0.5\%$
- ▶ No valves to clog
- ▶ Modular format lets you place drive module in a hood or safety cabinet with controller outside
- ▶ Easy-Load® II pump heads ensure low pulsation and accurate performance
- ▶ Silicone tubing is recommended for purity and is easily sterilized

Pump products shown

[HL-77200-62](#) L/S Easy-Load II Pump Head (two included with Digi-Staltic system)

[HL-96410-35](#) L/S 35 Platinum-Cured Silicone Pump Tubing (page 70–71)

[HL-77310-00](#) L/S Digi-Staltic® Dispensing Pump System (pages 98–99)



ULTRAFILTRATION PUMP

- ▶ Transfers fluid through a filtration system at flow rates up to 13 LPM
- ▶ Maintains purity of raw materials/chemical solutions and sanitary integrity applications
- ▶ Allows for end product separations/harvesting
- ▶ Used in the QC/QA analysis labs for buffer and nutrient media filtration
- ▶ Ultra-low spallation PharmaPure® tubing ensures minimum particle entrapment; excellent biocompatibility and long life

Pump products shown

[HL-77601-60](#) I/P® Easy-Load Pump Head (pages 122–123)

[HL-06435-73](#) I/P 73 PharmaPure® Pump Tubing (pages 126–127)

[HL-77410-10](#) I/P Brushless Process Drive (pages 134–137)



LAB/FILLING STATION PUMP

- ▶ Simple controls for routine transfer applications
- ▶ Reversible motor lets you prime or purge tubing
- ▶ Transfer chemicals at flow rates up to 2300 mL/min (36 GPH)
- ▶ Easy-Load® II pump head for quick changes between processes
- ▶ Substitute tubing based on compatibility with various chemicals (see pages 30–31)

Pump products shown

[HL-77200-60](#) L/S Easy-Load II Pump Head (pages 44–45)

[HL-06509-18](#) L/S 18 Tygon® E-Lab Pump Tubing (pages 68–69)

[HL-07528-10](#) L/S Precision Variable-Speed Drive (pages 84–85)

[HL-07528-80](#) Handheld Remote Controller (page 85)

INDUSTRIAL & MANUFACTURING



APPLICATION EXAMPLES

- ▶ Adhesives for cement
- ▶ Carpet sanitizers/cleaners
- ▶ Caustic detergents
- ▶ Chemicals for car washers
- ▶ Dyes in fabric manufacturing
- ▶ Etching chemicals for plate processors
- ▶ Chlorine analyzers
- ▶ Dispensing glue emulsions
- ▶ Laundry chemicals
- ▶ pH control of effluent
- ▶ Smoke-generating machines
- ▶ Plating chemicals
- ▶ Pulp quality monitoring
- ▶ Microfilm developing machine
- ▶ Oil skimmer
- ▶ Silicone wafer rinse
- ▶ Crankcase oil analyzer
- ▶ Inks for lithographs
- ▶ Lubricator for ball bearings
- ▶ Coating for coils
- ▶ Tank transfer pumps
- ▶ Polishing slurry pump
- ▶ Web printing inks

| FEATURES | BENEFITS |
|--------------------------------|---|
| Wide range of tubing materials | Compatible with many industrial chemicals. |
| Noncontaminating | Fluid media only contacts inside of tubing. |
| Self-priming | Suction lifts up to 8.8 m (29 ft). |
| Runs dry | Handles liquids and gas easily without damaging the pump. |
| Easy cleanup | Simply change the tubing to clean the pump. |
| Reversible | Operate in both directions without disconnecting tubing. |
| Handles viscous materials | Transfer and dispense oils or fluids in suspension. |
| Modular design | Mix and match pump heads, tubing, and drives for many applications. |
| OEM packages | Design into your own industrial metering and transfer equipment. |



BATCH CAUSTIC PUMP

- ▶ For batch/bulk transfer and corrosive fluid dispensing
- ▶ Flow rates up to 42 LPM with B/T® PerfectPosition™ pump tubing
- ▶ Ideal for viscous and shear-sensitive fluids
- ▶ Detachable controller for convenient component placement
- ▶ Rapid-Load® pump head makes changing tubing quick and easy
- ▶ IP56-rated, washdown controller and drive are protected from water spray
- ▶ C-FLEX tubing offers excellent compatibility with common acids and bases

Pump products shown

- [HL-06424-91](#) B/T® 91 C-FLEX® PerfectPosition™ Pump Tubing (page 153)
- [HL-77111-60](#) B/T Variable-Speed Pump (pages 154–155)



RAPID-DRY ADHESIVE TRANSFER

- ▶ Dosing various volumes of viscous (1200 cps), rapid-drying adhesive
- ▶ Eliminates problem of sticking valves, regular pump maintenance, and periodic pump failure
- ▶ High-performance precision tubing has a thicker wall and higher suction for handling viscous fluids
- ▶ Compatibility of silicone tubing allows it to be used more than once; oversizing the tubing allows pumping at speeds below 200 rpm
- ▶ Drive control features deliver desired accuracy and flexibility

Pump products shown

- [HL-77250-62](#) L/S® High-Performance Pump Head (pages 48–49)
- [HL-96410-24](#) L/S 24 Platinum-Cured Silicone tubing (pages 70–71)
- [HL-07522-20](#) L/S Standard Digital Drive (pages 88–89)

CHEMICAL SAMPLING PUMP

- ▶ Program fluid volume for repeat sampling operations
- ▶ Controller is wall mountable for convenient location at sampling station
- ▶ Controller display shows operating parameters and run status
- ▶ Easy-Load head allows for quick tubing changes between batches or drums
- ▶ Pump head with PPS housing and stainless steel rollers resists corrosion and chemical attack
- ▶ Pump is self-priming and reversible; easily prime or purge tubing
- ▶ Substitute tubing based on compatibility with various chemicals (see pages 24–25)



Pump products shown

- [HL-77601-60](#) I/P® Easy-Load® Pump Head (pages 122–123)
- [HL-06404-73](#) I/P 73 Norprene® Pump Tubing (pages 126–127)
- [HL-07594-10](#) I/P Modular Digital Dispensing Drive (pages 138–139)



WATER TREATMENT PUMP

- ▶ Brushless, maintenance-free motor for continuous duty
- ▶ Accurately meters chemical mixtures
- ▶ Digital display of flow rate, dispense volume, copy number, and motor rpm
- ▶ Quick, complete feedback loop of operations via remote signal
- ▶ Modular design lets you place controller where convenient
- ▶ IP66 rating permits hosedown when needed
- ▶ Easy-Load® II pump head for quick tubing changes and easy cleanup

Pump products shown

- [HL-77200-62](#) L/S Easy-Load II Pump Head (pages 44–45)
- [HL-06404-24](#) L/S 24 Norprene® Pump Tubing (pages 70–71)
- [HL-77301-50](#) L/S Modular Digital Drive (pages 90–91)



MULTICHANNEL FEED PUMP

- ▶ 100 rpm drive lets you stack up to four heads for increased capacity
- ▶ Change tubing quickly without dismounting heads
- ▶ Drive offers repeat dispensing functionality with batch count
- ▶ Heads accept multiple tubing sizes for application flexibility
- ▶ Chem-Durance® Bio pump tubing offers broad chemical compatibility and excellent pumping life
- ▶ Pump head with PPS housing and stainless steel rollers resists corrosion and chemical attack

Pump products shown

- [HL-07518-62](#) L/S Easy-Load Pump Heads (pages 46–47)
- [HL-06442-15](#) L/S 15 Chem-Durance® Bio Pump Tubing (pages 70–71)
- [HL-07522-30](#) L/S Digital Standard Drive (pages 88–89)



DYE/PIGMENT PUMP

- ▶ Brushless drive motor is maintenance free and continuous duty
- ▶ Epoxy powder coat paint resists corrosion and IP55 rating holds up to harsh environments
- ▶ Display of percent speed allows for repeatable rpm and flow settings
- ▶ Control drive speed remotely; pump running signal lets you monitor performance
- ▶ Powerful drive accepts two pump heads with any I/P tubing formulation
- ▶ Pump is self-priming and reversible; easily prime or purge tubing

Pump products shown

- [HL-77601-10](#) I/P Easy-Load Pump Heads (pages 122–123)
- [HL-06404-73](#) I/P 73 Norprene® Pump Tubing (pages 126–127)
- [HL-77411-00](#) I/P Brushless Process Drive (pages 134–137)



CARBOY TRANSFER PUMP

- ▶ Transfer chemicals at flow rates up to 8.0 LPM (2.1 GPM)
- ▶ Reversible motor lets you prime/purge tubing easily
- ▶ Pump is self-priming and nonsiphoning
- ▶ Easy-Load® pump head for quick changes between processes
- ▶ Tygon® E-Lab tubing is economical for frequent batch/fluid changes
- ▶ Substitute tubing based on compatibility with various chemicals (see pages 24–25)

Pump products shown

- [HL-77601-10](#) I/P Easy-Load Pump Head (pages 122–123)
- [HL-06509-73](#) I/P 73 Tygon® E-Lab Pump Tubing (pages 126–127)
- [HL-07591-20](#) I/P Modular Digital Dispensing Drive (pages 138–139)

FOOD & BEVERAGE



APPLICATION EXAMPLES

- ▶ Pizza sauce dispensing
- ▶ Salad dressing pump
- ▶ Glass washing system
- ▶ Ice cream pump
- ▶ Automatic drain cleaners
- ▶ Popcorn butter dispensing
- ▶ Vitamin A & D injection

| FEATURES | BENEFITS |
|--------------------------------|---|
| High-purity | Fluid media only contacts tubing—USP, FDA, EP, 3A, NSF compliance. |
| Easy cleanup | Simply change the tubing to clean the pump. |
| Wide range of tubing materials | Compatible with many foods and chemicals. |
| Handles viscous materials | Transfer and dispense yogurts, ice cream, and food particles. |
| Easily sterilized | Sterilize by ethylene oxide, gamma radiation, or autoclave. |
| Adjustable occlusion | Over-occlude for priming; reduce for longer tubing life and particulates. |
| Reversible | Operate in both directions without disconnecting tubing. |
| Self-priming | Lift fluids up to 8.8 m (29 ft). |
| Modular design | Mix and match pump heads, tubing, and drives for many applications. |
| OEM packages | Design into your lab dispensers or analytical equipment. |



ADDITIVE/CONCENTRATE PUMP

- ▶ Compact—fits easily into OEM applications
- ▶ Pump operates “on demand” to dispense flavor concentrate
- ▶ Flow rate: 0.002 to 37 mL/min
- ▶ Easy to service and clean
- ▶ Tygon® E-LFL food-grade tubing offers USP and FDA compliance and long life

Pump products shown

[HL-06449-48](#) 2.79 mm ID Tygon® E-LFL Microbore Pump Tubing (page 36)

[HL-77120-42](#) C/L® Dual-Channel Pump (pages 36–37)



MULTICHANNEL DISPENSING PUMP

- ▶ Advanced digital drive offers programmable repeat dispensing functionality
- ▶ Cumulative volume totalizer and batch count
- ▶ Heads are stackable for expanded channel capacity
- ▶ Heads accept multiple tubing sizes for application flexibility
- ▶ Excellent between-channel accuracy ($\pm 1.5\%$ or better)
- ▶ BioPharm Plus silicone offers superior dispensing precision and flow stability with no break-in

Pump products shown

[HL-07535-04](#) L/S® Multichannel Pump Head (pages 54–55)

[HL-96116-16](#) L/S 16 BioPharm Plus Silicone Two-Stop Tubing Sets (page 55)

[HL-07522-20](#) L/S Digital Standard Drive (pages 88–89)



DAIRY PROCESS PUMP

- ▶ Handles viscous materials
- ▶ Noncontaminating
- ▶ Self-priming (no valves)
- ▶ Easy cleanup, IP55 for washdown
- ▶ Delivers up to 8 LPM (2.1 GPM) with I/P® 73 Noreprene® food pump tubing
- ▶ Easy-Load® pump head facilitates quick tubing changes between samples
- ▶ Vary occlusion to handle purees, syrups, and other viscous fluids in the mixture
- ▶ Variable-speed drive features handles for convenient portability

Pump products shown

[HL-77601-60](#) I/P® Easy-Load® Pump Head (pages 122–123)

[HL-06402-73](#) I/P 73 Noreprene® Food Pump Tubing (pages 126–127)

[HL-77411-00](#) I/P Brushless Process Drive (pages 134–137)



SANITARY SAMPLING PUMP

- ▶ Drawing sanitary samples from process lines
- ▶ Stack pump heads to draw samples from multiple lines simultaneously
- ▶ Drive is easily programmed for repetitive sampling; program time delay (pause) between runs
- ▶ Control drive remotely via 0 to 20 mA, 4 to 20 mA, or 0 to 10 V signal; signal is scaleable and invertable
- ▶ Easy-Load II pump head permits fast tubing changes; pumping is contamination free
- ▶ Drive is IP66 and NEMA 4X rated—easily cleaned or washed down after use

Pump products shown

[HL-77200-52](#) L/S Easy-Load II Pump Heads (pages 44–45)

[HL-96410-16](#) L/S 16 Platinum-Cured Silicone Pump Tubing (pages 68–69)

[HL-07575-10](#) L/S Digital Process Drive (pages 92–93)



ENVIRONMENTAL & SPECIAL



APPLICATION EXAMPLES

- ▶ Contaminated ground water
- ▶ Chemical drum sampling
- ▶ Enzyme isolation
- ▶ Flow injection analysis
- ▶ Greenhouse watering
- ▶ Fertilizer applications
- ▶ Pesticide delivery systems
- ▶ Sewage/sludge analysis
- ▶ Tree spraying
- ▶ Water salinity analyzers
- ▶ Wastewater sampling

| FEATURES | BENEFITS |
|--------------------------------|--|
| Noncontaminating | Samples collected only contact inside diameter (ID) of tubing. |
| Self-priming | Suction lifts up 8.8 m (29 ft) |
| Runs dry | Pump is not damaged when left unattended. |
| Wide range of tubing materials | Compatible with water or waste samples. |
| Easy cleanup | Simply change the tubing to clean the pump. |
| Reversible | Purge and collect sample with one pump. |
| Modular design | Mix and match pump heads, tubing, and DC, AC, or hand-operated drives. |
| OEM packages | Design into your water sampling or analytical equipment. |



HIGH-PURITY METERING PUMP

- ▶ Suitable for aggressive organic solvents
- ▶ Flow rates up to 65 mL/min with PTFE tubing
- ▶ Rigid tubing withstands pressure up to 6.9 bar (100 psi)
- ▶ PTFE-wetted parts allow contamination-free pumping
- ▶ Maintains high fluid purity
- ▶ Limited chemical exposure—fluid contacts only the tubing

Pump product shown

[HL-77390-00](#) L/S® PTFE Tubing Pump Head (pages 50–51)

[HL-77390-60](#) L/S PTFE Tubing Set (pages 50–51)

[HL-07528-20](#) L/S Precision Variable-Speed Drive (pages 84–85)

This pump is available as a complete system; see page 116 for details.



COMPOSITE SAMPLER

- ▶ Program operation to meet EPA sampling requirements
- ▶ Dual-line, 24-character, backlit adjustable LCD with glow-in-the-dark keypad
- ▶ Locking latches prevent tampering; sampler floats up to 30 minutes if dropped in water
- ▶ Complete composite sampler system includes Easy-Load® pump head and L/S® tubing
- ▶ Passes through 18" diameter manhole
- ▶ Up to a 90-day standby for a remote signal
- ▶ Operates on an internal rechargeable battery, 12 VDC, or 115/230 VAC

Pump product shown

[HL-07518-12](#) L/S Easy-Load® pump head (included with sampler)

[HL-96400-24](#) L/S 24 Peroxide-Cured Silicone tubing (included with sampler)

[HL-07580-00](#) E/S® Composite Sampler (page 106)



HAZARDOUS DUTY PUMP

- ▶ Ideal for transferring hydrocarbons, petroleum products, and distillates
- ▶ Suitable for gasoline, kerosene, heating oils, cutting fluids, and glycol-based coolants
- ▶ No electric power necessary; connect to existing air supply or compressor
- ▶ Ideal for hazardous-duty locations
- ▶ Intrinsically safe when properly grounded for static electricity
- ▶ Low-maintenance motor

Pump products shown

[HL-77601-60](#) I/P® Easy-Load Pump Head (pages 122–123)

[HL-06401-73](#) I/P 73 Tygon® Fuel & Lube Pump Tubing (pages 126–127)

[HL-07589-30](#) I/P Air-Powered Drive (page 142)

IN PUMP TECHNOLOGY COMPARISONS,

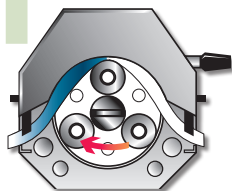
MASTERFLEX® IS THE PREFERRED SOLUTION!

Precision, versatility, and ease of use make Masterflex peristaltic pump technology the preferred solution to increasing numbers of applications in the processing industry and in the lab.

The following comparisons prove that under real-world conditions, **Masterflex sets the standard for excellence.**

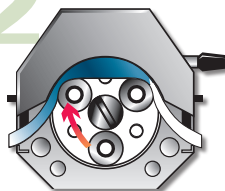
How Do MASTERFLEX® PUMP HEADS WORK?

1



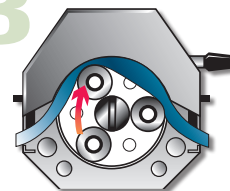
A pump head consists of only two parts: the rotor and the housing. The tubing is placed in the tubing bed—between the rotor and housing—where it is occluded (squeezed).

2



The rollers on the rotor move across the tubing, pushing the fluid. The tubing behind the rollers recovers its shape, creates a vacuum, and draws fluid in behind it.

3



A "pillow" of fluid is formed between the rollers. This is specific to the ID of the tubing and the geometry of the rotor. Flow rate is determined by multiplying speed by the size of the pillow. This pillow stays fairly constant except with extremely viscous fluids.

GEAR PUMPS VS MASTERFLEX®

Application

A pharmaceutical customer needs to draw a constant volume of 800 mL/min of water with particulates. The customer needs variable speed and is drawing the fluid through a particle sensor.

Gear Pump Disadvantages

- Does not handle particulates
- Difficult to clean
- Can't run dry
- Does not provide sterile conditions (fluid contacts internal pump parts)

Masterflex® Advantages

- Handles particulates
- Easy to change out tubing and clean pump
- Runs dry
- Maintains sterility of fluid (fluid only contacts the tubing)

Products Applied

- 77800-62 L/S® Easy-Load® 3 pump head
- 06424-35 C-FLEX® L/S® 35 High-performance precision tubing
- 07523-80 L/S® Digital standard console drive
- 07596-20 Pulse dampener



DIAPHRAGM PUMPS VS MASTERFLEX®

Application

A manufacturer needs to pump ethylene glycol from a 55-gallon drum into six smaller containers. Once these six containers are filled with the ethylene glycol, they are used to lubricate needles for their process.

Solenoid Diaphragm Pump Disadvantages

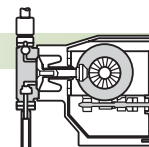
- Does not handle high viscosities well—the flow would be reduced by 75% due to the 450-cp viscosity of ethylene glycol
- Requires routine maintenance and difficult to clean
- Numerous replacement parts: diaphragms and internal valves
- Check valves may stick and make pump inoperable

Masterflex® Advantages

- Handles high viscosities well—improved customer's flow rate
- Fluid does not contact internal pump parts—only the tubing
- Easy tubing replacement; reduced maintenance time
- Excellent self-priming capabilities

Products Applied

- 77601-10 I/P® Easy-Load® pump head (stack up to two heads)
- 06440-26 Tygon® E-LFL I/P® 26 Precision tubing
- 77410-10 I/P® Brushless process drive





SYRINGE PUMPS VS MASTERFLEX®

Application

A university research lab needs to pump a fixative (formaldehyde and glutaraldehyde in a phosphate buffer) to preserve brain tissue for research. They are pumping at low flow rates (20 to 40 mL/min) with four channels pumped at one time.

Syringe Pump Disadvantages

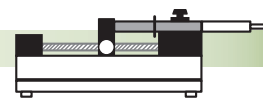
- ▶ Does not handle viscous fluids well
- ▶ Need special pumps and syringes
- ▶ Not self-priming
- ▶ Cannot pump any particulate matter
- ▶ Automated options are expensive at the lower flow rates
- ▶ More elaborate/difficult to set up

Masterflex® Advantages

- ▶ Handles high viscosities well
- ▶ Easy to change out tubing and clean/sterilize tubing
- ▶ Excellent self-priming capabilities
- ▶ Able to pump particulates
- ▶ Multichannel capabilities
- ▶ Cost efficient
- ▶ User-friendly LCD interface makes setup easy

Products Applied

- ▶ 07519-06 L/S® Multichannel cartridge pump head
- ▶ 07519-80 Small cartridges (eight)
- ▶ 06447-34 Tygon® E-LFL tube sets
- ▶ 07523-90 L/S® Brushless digital drive



PISTON PUMPS VS MASTERFLEX®

Application

A rubber manufacturer needs to dispense 1-mL doses of Methyl Ethyl Ketone (MEK) as a primer in the first step of the vulcanization process (treating rubber to give it certain properties). They need a pump that is easy to operate.

Piston Pump Disadvantages

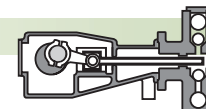
- ▶ Chemical compatibility is challenging
- ▶ Difficult to regulate the 1-mL doses
- ▶ Difficult to clean (internal parts of pump head and valves)
- ▶ Can't run dry

Masterflex® Advantages

- ▶ Tubing formulations are more chemically compatible
- ▶ Simple to operate controls
- ▶ Easy to change out tubing and clean pump—reduces labor
- ▶ Runs dry to prime
- ▶ Maintenance is easier with no service kits or valves

Products Applied

- ▶ 77390-00 L/S® PTFE-tubing pump head
- ▶ 77390-60 L/S® PTFE tubing, 6-mm OD
- ▶ 07528-20 L/S® Variable-speed precision console drive



DRUM PUMPS VS MASTERFLEX®

Application

A pharmaceutical customer needs to pump a disinfecting agent from a drum into an 8-gallon tank. They had been using a hand pump in the past but in order to reduce time and maintenance they would like an automated system.

Drum Pump Disadvantages

Hand Pump

- ▶ Manual, hard labor
- ▶ Not fast or efficient
- ▶ Risk of chemicals splashing on operator

Motorized Drum Pump

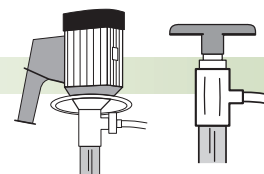
- ▶ Doesn't remove all of the fluid in the drum
- ▶ Most models don't run dry
- ▶ Does not have a lot of automated features
- ▶ Cleansing steps needed before use in next application

Masterflex® Advantages

- ▶ More efficient and fast at pumping fluids—reduces labor
- ▶ Excellent self-priming capabilities
- ▶ Empties entire tank/drum
- ▶ Runs dry
- ▶ Excellent chemical compatibility
- ▶ More automated features to program fluid flow—improved accuracy
- ▶ Change tubing and pump is ready for next application

Products Applied

- ▶ 77601-10 I/P® Easy-Load pump head
- ▶ 06475-82 Tygon® Chemical I/P® 82 Precision tubing
- ▶ 07594-10 I/P® Variable-speed modular digital dispensing drive



IN PUMP TECHNOLOGY COMPARISONS,

MASTERFLEX® IS THE PREFERRED SOLUTION!

CENTRIFUGAL PUMPS VS MASTERFLEX®

Application

A food manufacturer needs to pump a glue (6000 to 9000 cp) into a labeler machine. The pump must be food-grade compatible. The glue is placed on a roller and then onto a palette, which places a thin layer of glue onto a bottle. The label is then placed onto the bottle by a separate machine.

Centrifugal Pump Disadvantages

- ▶ Does not handle high viscosities
- ▶ Difficult to clean
- ▶ Limited automated capabilities

Masterflex® Advantages

- ▶ Handles high viscosities well
- ▶ Easy to change out tubing and clean pump—less maintenance
- ▶ Washdown models allow for quick and easy cleaning
- ▶ Tubing is food-grade compatible
- ▶ Has more automated capabilities

Products Applied

- ▶ 77111-60 B/T® Variable-speed washdown pump system
- ▶ 06399-91 Norprene® Food B/T® 91 Precision tubing



AIR-OPERATED DOUBLE DIAPHRAGM PUMPS VS MASTERFLEX®

Application

A cheese manufacturer needs to pump oil from a 55-gallon drum into small containers. Once placed in these containers, the oil is mixed with blocks of cheese and spices to create different flavors of cheeses. This company used an air-operated double diaphragm pump but was having difficulty with its operation.

Air-Operated Double Diaphragm Pump Disadvantages

- ▶ Difficult to control the flow rate
- ▶ Large pulsation can cause air to be entrained in food product
- ▶ Difficult to clean and maintain sterility of internal parts of pump

Masterflex® Advantages

- ▶ Easy to control flow with variable-speed drives—reduces manual operation
- ▶ Heads are stackable to minimize pulsation
- ▶ Easy to change out tubing
- ▶ Easy to maintain sterility of tubing and fluid path
- ▶ Offer food-grade tubing
- ▶ No valves to clean or maintain

Products Applied

- ▶ 77601-10 I/P® Easy-Load® pump head
- ▶ 06418-73 Tygon® E-Food I/P® 73 Precision tubing
- ▶ 07589-30 I/P® Variable-speed air-powered drive



FLEXIBLE IMPELLER PUMPS VS MASTERFLEX®

Application

A research laboratory needs to pump dilute sulfuric acid and a copper sulfate solution continuously (24 hours a day) for five days in a row. They need to recirculate these two chemicals at 60°C for a cell lab. They need to be able to vary the flow rate with a maximum flow of 15 LPM at 15 psi.

Flexible Impeller Pump Disadvantages

- ▶ Does not handle higher pressures at higher flow rates well
- ▶ Difficult to find chemically compatible internal pump parts
- ▶ Cannot run dry
- ▶ Variable flow control is difficult
- ▶ Difficult to clean

Masterflex® Advantages

- ▶ Handles higher pressures at higher flow rates
- ▶ Chemically compatible with a variety of tubing formulations
- ▶ Runs dry
- ▶ Easy to control flow with a variable-speed pump drive
- ▶ Easy to change out tubing and clean pump

Products Applied

- ▶ 77600-62 I/P® High-performance pump head
- ▶ 06440-88 Tygon® E-LFL I/P® 88 High-performance precision tubing
- ▶ 77420-10 I/P® Digital brushless process drive





ROTARY LOBE PUMPS VS MASTERFLEX®

Application

A university research facility needs to pump cell media into a system containing cells (the cells are living off of the media in the system). This system is used to simulate a human circulatory system for research purposes; therefore a constant flow rate needs to be maintained.

Rotary Lobe Pump Disadvantages

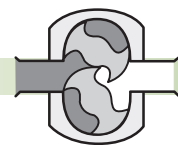
- ▶ Difficult to pump precise flow rates
- ▶ Does not self-prime
- ▶ Cannot handle particulates
- ▶ Difficult to clean

Masterflex® Advantages

- ▶ Easily maintains a precise, constant flow rate
- ▶ Excellent self-priming capabilities
- ▶ Multiple channel capabilities by stacking heads
- ▶ Able to handle shear-sensitive particulates/fluids
- ▶ Easy to change out tubing and clean/sterilize pump

Products Applied

- ▶ 77200-60 L/S® Easy-Load® II pump head
- ▶ 06435-25 PharmaPure® L/S® 25 Precision tubing
- ▶ 07528-10 L/S® Precision standard console drive



FREQUENTLY ASKED QUESTIONS ABOUT MASTERFLEX® PUMPS

FLOW RATES

What flow rates are attainable?

Depending on which series you select, our systems deliver flow rates from 0.0005 mL/min to 42 LPM.

What flow precision can I expect?

You can obtain a flow precision of better than ±1% with calibrated flow systems. For other systems, ±3% precision is possible for general transfer applications.

Are measured volumes repeatable?

Yes. Volumes are repeatable with accuracies of ±0.1% or better using calibrated systems.

What is the effect of viscosity on flow?

All flow rates are based on water. Increasing the fluid viscosity will decrease the flow rate. See pages 172–192 for information.

PUMP HEADS

What is the maximum pressure?¹

The maximum pressure using L/S® High-pressure tubing (see pages 48–49) is 10.2 bar (150 psi); nominal pressure is 1.7 bar (25 psi).

What is the maximum inlet pressure?¹

Typically 2.7 bar (40 psi), depending on tubing ID, wall thickness, and formulation.

What is the maximum suction lift?

The maximum suction lift is 8.8 m H₂O (29 ft H₂O).

Are check valves required?

No. Our unique designs eliminate this need.

Can Masterflex pumps run dry?²

Yes. They can pump gases, liquids, or mixed phases.

Are Masterflex pumps self-priming?

Yes. They can develop a vacuum in excess of 660 mm Hg (26" Hg).

Are Masterflex pumps positive-displacement type pumps?

Yes. The flow rate with water is directly proportional to the rotor speed up to the maximum capabilities of the drive.

Are Masterflex pumps nonsiphoning?

Yes. One roller is always squeezing the tubing closed, so you don't get any backflow up to the rated pressure of the tubing/pump head.

Can slurries and abrasive solutions be pumped?

Yes. The limitations are viscosity and particle size relative to selected tubing ID.

Why are so many pump heads and tubing sizes offered?

To provide maximum flexibility in achieving desired flow at the optimal drive speed.

Is flow reversible?

Yes. All specifications apply in either clockwise or counterclockwise rotation.

TUBING

Is the tubing important?

Yes. The tubing is the pump chamber. The elasticity of the tubing provides suction lift; its strength provides pressure handling ability; its flexibility determines pumping life; its bore determines the flow rate; and its wall thickness determines pumping efficiency.

What are the temperature ranges of tubing?

The temperature range for tubing is from -240 to 260°C (-400 to 500°F). For details on specific formulations, see pages 20–24.

What is the chemical resistance?

It depends on the tubing formulation you select. For detailed information, see pages 30–31.

How long will the tubing last?

Tubing life depends on pump speed and pressure, tubing material and chemical compatibility, and abrasiveness of the liquid (media) being pumped. See pages 20–24 and 172–192 for information.

How does pump speed affect tubing life?

To put it simply, the lower the speed, the longer the life of the tubing.

What tubing formulation gives longest life?

In order, Norprene®, PharMed® BPT, PharmaPure®, Chem-Durance® Bio, Puri-Flex™, Tygon® E-LFL, silicone, BioPharm Plus, and C-FLEX® last the longest. See pages 20–24 and 172–192 for information.

Is tubing available that is compatible for food and sanitary applications?

Yes. Some tubing formulations comply with NSF specifications, 3A, FDA, and USDA requirements for food handling. Many can be sterilized. See pages 20–24 for more information.

Is the tubing easy to replace?

Yes. The Easy-Load®, Easy-Load® II, Easy-Load® 3, High-performance, Multichannel cartridge, and Rapid-Load® pump heads make tubing changes quick and easy. Tubing in the Standard pump head is easy to change with the loading key provided.

DRIVES

Why are drives sold separately from pump heads in the L/S® and I/P® series?

The modular concept lets you customize your system for flexibility and economy.

Can a single drive run more than one pump head?

In many cases, two to four pump heads can be stacked in any combination up to the max torque capability of the drive.

Are drive systems other than those shown in this catalog available?

Yes. Our Engineering Department can customize, design, or modify a drive or drive package to your specifications for quantity purchases and OEM applications. See page 5 for OEM pumps.

¹PTFE-pump head can operate at pressures up to 6.8 bar (100 psi). (See pages 50–51.)

²Except the PTFE-pump head which can overheat when run dry.

SELECTING YOUR MASTERFLEX® TUBING PUMP SYSTEM

1 DEFINE YOUR APPLICATION REQUIREMENTS.

- A** What flow rate do I need?
- B** What chemical am I pumping?
- C** Do conditions such as fluid viscosity or back pressure play an important role in my application?

2 SELECT A PUMP SERIES BASED ON YOUR FLOW RATE.

- A** C/L® 0.002 to 43 mL/min
Pages 34–37
- B** L/S® 0.0006 to 3400 mL/min
Pages 38–117
- C** I/P® 0.001 to 26 LPM
Pages 118–151
- D** B/T® 0.3 to 42 LPM
Pages 152–159

3 SELECT A PUMP HEAD, TUBING, AND DRIVE.

- A** The L/S® and I/P® pump series are divided into three component categories—pump head, tubing, and drive.
- B** The icons at right appear throughout the Masterflex® section to show you which pump series and what components are listed on those pages.

HELP IN SELECTING YOUR MASTERFLEX PUMP SYSTEM IS AVAILABLE AT MASTERFLEX.COM

MASTERFLEX®
Application Solutions

Scan this database of challenging fluid handling applications and the Masterflex® tubing pump systems that are meeting those challenges.

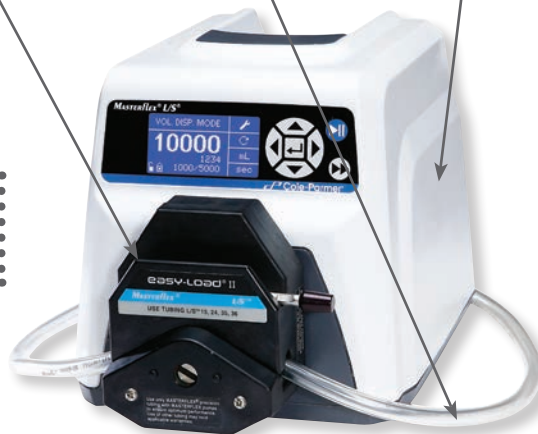
•• PURCHASE A COMPLETE MASTERFLEX TUBING PUMP SYSTEM:

To find complete Masterflex tubing pump systems, look for the symbol below with all three components highlighted. This symbol indicates that you may purchase a complete Masterflex system with a single catalog number.



OR

PURCHASE YOUR MASTERFLEX SYSTEM BY COMPONENTS



WHAT TO CONSIDER:

- Flow rate**—Different pump heads have different flow rate capabilities.
- Tubing change frequency**—Some pump heads enable rapid tubing changes.
- Desired number of channels**—Pump heads are stackable in most cases.
- Chemical compatibility**—If chemicals spill, pump head materials become important.
- Accuracy**—Standard pump heads offer the most accurate, repeatable flow rates.



WHAT TO CONSIDER:

- Flow rate**—Tubing size directly affects flow rate.
- Chemical compatibility**—See tables on pages 30–31.
- Tubing life**—See page 172–192.
- Fluid viscosity, presence of solids, back pressure, or suction lift**—High-performance tubing is best for these conditions. See pages 172–192.
- Fluid temperature**—Information concerning the temperature range for each tubing formulation can be found on pages 20–24.



WHAT TO CONSIDER:

- Flow rate**—The rpm of the drive directly correlates to flow rate.
- Fixed- or variable-speed**—Variable-speed drives enable flow rate adjustment.
- Accuracy of flow rate or dispense volume**—Many drives have digital speed control circuitry for highly accurate and repeatable flow rates.
- Remote control or computer interface**—Some drives can connect to your process controller or can be operated by a foot switch.
- Environmental protection against hazards**—Many drives are sealed against dust and water exposure.



WHY CHOOSE MASTERFLEX® PUMP TUBING?

Accept no substitutes—use only Masterflex tubing in your tubing pumps!

- ▶ Precision extruded to meet tight tolerances
- ▶ Factory tested and optically inspected
- ▶ Engineered to comply with numerous standards and classifications

To ensure accurate flow rates and long tubing life, use only Masterflex tubing in your pump tubing applications. Our tubing is your best choice because, unlike general-purpose commodity tubing, it is specifically designed and manufactured for use in demanding peristaltic pump applications. Masterflex tubing will help you achieve top performance from your fluid transfer system. We offer 22 different tubing formulations in a variety of sizes for every application. Select Precision tubing or High-Performance Precision tubing, which improves pressure generation, suction lift, ability to pump viscous fluids, and tubing life.

PUMP TUBING FOR A WIDE RANGE OF APPLICATIONS

Masterflex pump tubing is ideal for a wide range of applications in a number of markets, including:

- ▶ Biotech
- ▶ Chemical processing
- ▶ Education
- ▶ Environmental
- ▶ Food and beverage
- ▶ Industrial
- ▶ Laboratory
- ▶ Life Sciences: tissue and cell culture, fermentation
- ▶ Medical research
- ▶ Pharmaceutical
- ▶ Printing
- ▶ Semiconductors
- ▶ Water treatment

SPECIAL TUBING FOR CHALLENGING APPLICATIONS

NEW MASTERFLEX® Tygon® E-LFL Pump Tubing page 22

Developed and thoroughly tested to be a long life pump tubing. This new formulation offers a non-DEHP and non-phthalate tubing. It has been aggressively tested and proven itself as an excellent improvement over the original LFL formulation. This new tubing has shown up to 20% improvement in our multi-pump testing environment. The classifications that come with the new E-LFL are: USP Class VI, EP 3.2.9, FDA compliant for food contact, and NSF 51. The tubing is REACH compliant for non-DEHP and non-phthalate, and animal derived component free.

NEW MASTERFLEX® Tygon E-Food Pump Tubing page 22

Developed based upon the objective of being Safe (non-DEHP, non-phthalate), Smart (worldwide compliance) and Sustainable (having a bio-based plasticizer). This new formulation has proven significant improvement on pump life. The classifications that come with new E-Food are FDA compliant for food contact, 3A, and NSF 51.

MASTERFLEX® Exclusive Puri-Flex™ Pump Tubing page 21

A long-life tubing engineered to meet and exceed your purity expectations when looking at regulatory standards for bioprocess and biologicals manufacturing. It exhibits low extractables, low protein binding, and low gas permeability characteristics. Puri-Flex complies with the requirements of USP Class VI, FDA 21 CFR 177.2600 and 21 CFR 177.1810, RoHs compliance, REACH compliance, ADF, ISO 10993-4 and 10993-5. The tubing can easily be welded or heat sealed. Puri-Flex can be sterilized by autoclave to 135°C standard, EtO and gamma up to 45 kGy.

C-Flex® ULTRA Pump Tubing page 21

C-Flex ULTRA tubing is notably advanced when compared to the previous generations of C-FLEX. It offers five to ten times the pump life with much lower spallation. The lower spallation virtually eliminates the buildup of residue on the pump head rollers. C-Flex ULTRA offers the excellent chemical compatibility of an SBS-based thermoplastic elastomer formulation.

MASTERFLEX® Exclusive Chem-Durance® Bio Pump Tubing page 22

Provides excellent chemical resistance and pumping life and meets USP Class VI standards. A plasticizer-free liner helps reduce spallation. The thermoplastic outer jacket provides more durability—especially under higher pressures.

Viton® Pump Tubing page 24

For the chemical resistance of Viton combined with FDA compliance for food and beverage applications.

PTFE Pump Tubing page 22

A peristaltic pump head that uses PTFE tubing is available. PTFE tubing is chemically inert, will not absorb or leach into fluid, and can withstand pressures up to 6.8 bar (100 psi).

High-Pressure Pump Tubing pages 21, 23–24

Need to pump under pressure? Masterflex High-Pressure PharMed® BPT and Norprene® tubing (pages 49 and 117) can withstand up to 10.2 bar (150 psi) continuously. PTFE pump tubing also operates up to 6.8 bar (100 psi) (pages 50 and 116), while GORE® Style 100SC and Style 500 pump tubing exhibit long life at up to 4.1 bar (60 psi) (pages 65 to 71).

GORE® High-Resilience Pump Tubing—Style 100SC and Style 500 page 24

Offer a long life at continuous pressures—up to 4.1 bar (60 psi). Both formulations have excellent flow stability with minimal break-in period while also having the benefits of being spallation free and with low gas permeability. The Style 500 formulation has the added benefit of offering excellent chemical compatibility with many inorganic and organic chemicals. These tubing formulations are specifically targeted at industrial applications.

GORE® High-Resilience Pump Tubing—Style 400 page 24

A unique composite of expanded PTFE (EPTFE) and Viton® type F fluoroelastomer (FKM), making it resistant to a wide range of chemistries. Multilayer construction enables tubing to maintain a stable flow rate for hundreds of hours while pumping aggressive media. Resistant to aromatic hydrocarbons, alcohols (including methanol), steam, and concentrated acids. Primarily for industrial applications, it is designed for long life up to 4.1 bar (60 psi) continuously.

Quick-Coupling Sanitary Pump Tubing Sets pages 72 and 129

This tubing features smooth, premolded sanitary mini-connections that provide enhanced, bacteria-free fluid transfer and allow quick connection to an adapter or to another length of sanitary tubing with similar premolded ends. See page 72 for L/S® and page 129 for I/P® sanitary tubing.

Bulk Pump Tubing and Custom Orders pages 73 and 130

Spooled and bulk-packed tubing save you money, time and waste, while giving you the added convenience of having enough tubing on hand at all times. Need a large volume of tubing? Contact us and we'll custom package Masterflex tubing to meet your needs.

CHOOSE MASTERFLEX TUBING

The right pump tubing is crucial when building your Masterflex pump system. Before you choose, consider all aspects of your application: chemical compatibility, operating temperature, pressure, necessary regulatory approvals, gas permeability of the tubing, and cleaning/sterilization requirements.

Reference information:

For specific information on chemical compatibility with Masterflex tubing, go to pages 30–31

For our interactive chemical compatibility charts for pump tubing, go to ColeParmer.com/MflexChem

For information on material life, gas permeability, pressure/vacuum/suction generation, and viscosity handling characteristics, go to Masterflex.com

MASTERFLEX® PUMP TUBING FORMULATION DESCRIPTIONS

SILICONE TUBING

While our silicone tubing formulations share many characteristics, there are some basic differences.

PLATINUM-CURED SILICONE TUBING

- ▶ Slightly greater clarity
- ▶ Smooth surface; lower protein binding levels
- ▶ Fewer potential leachables
- ▶ Ideal for pharmaceutical and biotechnology use

PEROXIDE-CURED SILICONE TUBING

- ▶ Greater physical compression capability
- ▶ Economical, longer tubing life
- ▶ Potential outgassing of peroxide products

BIOPHARM SILICONE TUBING (PLATINUM-CURED)

- ▶ Ultra-smooth inner surface minimizes particle entrapment
- ▶ Very low extractables, with documented biocompatibility for sensitive applications
- ▶ Ideal for lab, biotech, and pharmaceutical applications

BIOPHARM PLUS SILICONE TUBING (PLATINUM-CURED)

- ▶ All of the benefits of BioPharm silicone tubing (at left), plus:
- ▶ Longest tubing life of any silicone pump tubing
- ▶ Lower spallation than regular silicone
- ▶ Enhanced pressure capability
- ▶ Exceptional flow stability and dispense accuracy

TO STERILIZE ALL SILICONE TUBING:

High-speed instrument (flash) autoclave: Place tubing on nonlinting cloth or sterilizing paper in a clean, open tray for 10 minutes at 132°C (270°F) at 2 kg/cm² (30 psi).

Standard gravity autoclave: Wrap tubing in nonlinting cloth or sterilizing paper and place in a clean, open tray for 30 minutes at 121°C (250°F) at 1 kg/cm² (15 psi).

Prevacuum high-temperature autoclave: Wrap tubing in nonlinting cloth or sterilizing paper and place in a clean, open tray for normal cycle of 30 to 35 minutes at 121°C (250°F).

Gamma radiation: 5.0 Mrad.

| Pump tubing formulation | | Silicone (platinum-cured) | Silicone (peroxide-cured) | MASTERFLEX® Exclusive BioPharm Silicone (platinum-cured) | MASTERFLEX® Exclusive BioPharm Plus Silicone (platinum-cured) |
|---|-------------------|---|---|--|--|
| Series number | | 96410 and 96510 | 96400 and 96406 | 96420 and 96421 | 96440 and 96441 |
| Advantages | | Excellent biocompatibility. No leachable additives, DOP, or plasticizers; phthalate and latex-free; odorless and nontoxic, fungus-resistant. No taste imparted to transported fluids. Extremely good over a wide temperature range. Weather, ozone, corona, and radiation resistant. Minimal tendency to take a set. | Excellent biocompatibility. No additives, plasticizers or DOP; odorless and nontoxic, fungus-resistant. No taste imparted to transported fluids. Extremely good at low temperatures. Weather, ozone, corona, and radiation resistant. Minimal tendency to take a set. | Ultra-smooth inner surface minimizes particle entrapment. Lower absorption; excellent biocompatibility; no leachable additive, DOP, or plasticizers. Very low extractables. Odorless and nontoxic, fungus-resistant. No taste imparted to transported fluids. Weather, ozone, corona, and radiation resistant. | Similar to BioPharm Silicone, plus: Longest life of any silicone pump tubing. Lower spallation than regular silicone. Enhanced pressure capability. Fungus-resistant. Nontoxic, no leachable plasticizers. Lower gas permeability than other silicones. Use with many acids and alkalis. |
| Limitations | | Do not use with concentrated acids and bases, organic solvents, or oils. Relatively high gas permeability. | Do not use with concentrated solvents, oils, acids. Relatively high gas permeability. | Do not use with concentrated solvents, oils, or acids. Relatively high gas permeability. | Do not use with concentrated solvents, oils, or acids. Relatively high gas permeability. |
| Application suitability: | | | | | |
| Acids | | Not recommended | Not recommended | Not recommended | Not recommended |
| Alkalies | | Not recommended | Not recommended | Not recommended | Not recommended |
| Organic solvents | | Not recommended | Not recommended | Not recommended | Not recommended |
| Pressure | | Fair | Fair | Fair | Fair |
| Vacuum | | Good | Good | Good | Good |
| Viscous fluids | | Fair | Fair | Fair | Fair |
| Sterile fluids | | Excellent | Excellent | Excellent | Excellent |
| Physical characteristics and composition | | Thermal set rubber. Siloxane polymers and amorphous silica. Excellent compression strength. Soft material; flexible. Translucent, clear to light amber. | Thermal set rubber. Siloxane polymers and amorphous silica. Excellent compression strength. Soft material. Translucent, clear to light amber. | Thermal set rubber. Siloxane polymers and amorphous silica. Excellent compression strength. Soft material. Translucent, clear to light amber. | Thermal set rubber. Siloxane polymers and amorphous silica. Excellent compression strength. Soft material. Translucent, clear to light amber. |
| Temperature range | Static | -50 to 230°C (-58 to 446°F) | -50 to 230°C (-58 to 446°F) | -60 to 232°C (-75 to 450°F) | -60 to 232°C (-75 to 450°F) |
| | Dynamic (pumping) | -40 to 100°C (-40 to 212°F) | -40 to 100°C (-40 to 212°F) | -40 to 100°C (-40 to 212°F) | -40 to 100°C (-40 to 212°F) |
| Meets classifications | | USP Class V Extractables Exceeds Class VI Implant European Pharmacopoeia (EP 3.2.9) FDA 21 CFR 177.2600; FDA 21 CFR 210 and 211; Exceeds 3A Sanitary cGMPs ; Reach Compliant, RoHS Compliant, ADCF Compliant | USP Class VI European Pharmacopoeia (EP 3.2.9) FDA 21 CFR 177.2600 Exceeds 3A sanitary standards Reach Compliant, RoHS Compliant, ADCF Compliant | USP Class VI European Pharmacopoeia (EP 3.2.9) FDA 21 CFR 177.2600 Exceeds 3A sanitary standards Reach Compliant, RoHS Compliant | USP Class VI European Pharmacopoeia (EP 3.2.9) FDA 21 CFR 177.2600 Exceeds 3A sanitary standards Reach Compliant, RoHS Compliant |
| Gas permeability cc x mm (cm ² x sec x cm Hg) x 10 ⁻¹⁰ | | CO ₂ : 20,132 H ₂ : 6579 O ₂ : 7961 N ₂ : 2763 | CO ₂ : 20,132 H ₂ : 6579 O ₂ : 7961 N ₂ : 2763 | CO ₂ : 25,147 H ₂ : — O ₂ : 4715 N ₂ : 2284 | CO ₂ : 25,147 H ₂ : — O ₂ : 4715 N ₂ : 2284 |
| Cleaning/sterilization | | Clean with hot water/soap solution; use a non-oily soap such as Ivory®, not synthetic detergent or oil-based soap as they may be absorbed by the tubing and into the fluid. Rinse well with distilled water. Ethylene oxide (EtO) sterilization is not recommended—sufficient data is not available about complete outgassing of residual EtO and other EtO products. | Clean with isopropyl alcohol or hot water/soap solution; use a non-oily soap such as Ivory®, not synthetic detergent or oil-based soap as they may be absorbed by the tubing and into the fluid. Rinse thoroughly with distilled water. May use EtO. Autoclavable. | Sterilize by EtO, autoclave, or gamma radiation up to 5.0 Mrad. To autoclave: coil loosely in nonlinting cloth or paper; autoclave at 121°C (250°F), 1 bar (15 psi) for 30 minutes. | Sterilize by EtO, autoclave, or gamma radiation up to 5.0 Mrad. To autoclave: coil loosely in nonlinting cloth or paper; autoclave at 121°C (250°F), 1 bar (15 psi) for 30 minutes. |



OTHER BIOPHARMACEUTICAL TUBING

In addition to silicone, we also carry other pump tubing formulations that are biocompatible and well-suited to biotech and pharmaceutical laboratory or production applications.

PURI-FLEX™ TUBING

- ▶ Heat sealable and weldable
- ▶ Long pump life when compared to silicone or many other TPE tubings
- ▶ Low spallation when compared to silicone or many other TPE tubings

C-FLEX® TUBING

- ▶ Combines biocompatibility of silicone with chemical resistance similar to Tygon®
- ▶ Heat sealable, weldable, economical

C-FLEX® ULTRA TUBING

- ▶ Combines biocompatibility of silicone with chemical resistance similar to Tygon®
- ▶ Heat sealable, weldable, economical
- ▶ Longest pump life of any C-FLEX formulation
- ▶ Low spallation and reduced residue
- ▶ Engineered specifically for peristaltic pumps

PHARMED® BPT TUBING

- ▶ Up to 10,000 hours of tubing life
- ▶ Resists ozone and UV radiation
- ▶ Noncytotoxic and nonhemolytic
- ▶ Ideal for tissue and cell culture work
- ▶ Heat sealable and bondable

MASTERFLEX® Exclusive

| Pump tubing formulation | Puri-Flex™ | C-Flex® | C-Flex® ULTRA | PharMed® BPT |
|--|--|--|---|---|
| Series number | 96419 | 06424 | 06434 | 06508 |
| | | | | |
| Advantages | Biocompatible. Heat sealable and weldable. Long pump life when compared to silicone or other TPE tubings. Low spallation when compared to silicone or some other TPE tubings. Very low protein binding. Cost effective. No halogens or phthalates. | Physical properties similar to silicone with chemical compatibility of Tygon®. Inexpensive. Biocompatible. Heat sealable and weldable. | Physical properties similar to silicone with chemical compatibility of Tygon®. Biocompatible. Heat sealable and weldable. Longer pump life and lower spallation than C-FLEX (06424). | Great for tissue and cell work—nontoxic and nonhemolytic. Long service life minimizes risk of fluid exposure; reduces tubing costs and pump downtime. Opaque to UV and visible light to protect light-sensitive fluids. Low gas permeability. High-pressure 10.3 bar (150 psi) version available. |
| Limitations | Do not use with concentrated solvents, oils, or acids. Moderate temperature range. | Not recommended for use with hydrocarbons. Moderate pumping life. | Not recommended for use with hydrocarbons. | Potential leaching of USP mineral oil or blend material. |
| Application suitability: | | | | |
| Acids | Good | Good | Good | Good |
| Alkalies | Good | Good | Good | Good |
| Organic solvents | Not recommended | Not recommended | Not recommended | Not recommended |
| Pressure | Good | Fair | Fair | Good |
| Vacuum | Good | Good | Good | Good |
| Viscous fluids | Excellent | Fair | Fair | Excellent |
| Sterile fluids | Excellent | Excellent | Excellent | Excellent |
| Physical characteristics and composition | Thermoplastic elastomers. Excellent tensile and tear strength. Translucent, clear to light white. | Thermoplastic elastomer. Styrene-ethylene-butylene modified block copolymer with silicone oil. Excellent tensile and tear strength Soft material. Opaque, white. | Thermoplastic elastomer. Styrene-ethylene-butylene modified block copolymer with silicone oil. Excellent tensile and tear strength Translucent. | Thermoplastic elastomer. Polypropylene-based material with USP mineral oil. Excellent tensile strength. Firm (stiff) material. Opaque, beige. |
| Temperature range | Static | -50 to 135°C (-58 to 275°F) | -60 to 121°C (-76 to 249°F) | -60 to 121°C (-76.6 to 250°F) |
| | Dynamic (pumping) | -30 to 80°C (-22 to 176°F) | -40 to 60°C (-40 to 140°F) | -40 to 80°C (-40 to 176°F) |
| Meets classifications | USP Class VI FDA 21 CFR 177.2600 and 177.1810 Reach Compliant RoHS Compliant ADCF Compliant | USP Class VI European Pharmacopoeia (EP 3.2.9) FDA 21 CFR 177.2600 Reach Compliant, RoHS Compliant, ADCF Compliant | USP Class VI European Pharmacopoeia (EP 3.2.9) Reach Compliant, RoHS Compliant, ADCF Compliant | USP Class VI European Pharmacopoeia (EP 3.2.9) FDA 21 CFR 177.2600 NSF-51 Reach Compliant, RoHS Compliant |
| Gas permeability cc x mm (cm ² x sec x cm Hg) x 10 ⁻¹⁰ | CO ₂ : 1200 H ₂ : — O ₂ : 200 N ₂ : 80 | CO ₂ : — H ₂ : — O ₂ : 150 N ₂ : — | CO ₂ : 2.1 H ₂ : — O ₂ : 1.1 N ₂ : 3.4 | CO ₂ : 1200 H ₂ : — O ₂ : 200 N ₂ : 80 |
| Cleaning/sterilization | Sterilize by EtO, autoclave up to 135°C (275°F), gamma radiation up to 4.5 Mrad. To autoclave: coil loosely in nonlinting cloth or paper; autoclave from 121°C (250°F) to 135°C (275°F). | Sterilize by EtO, autoclave, or gamma radiation. To autoclave: do not clamp; autoclave up to maximum steam temperature of 132°C (290°F) for up to 10 minutes. Flush autoclaving at 135°C (275°F) is not recommended. | Sterilize by gamma radiation or one cycle of autoclave at 121°C (250°F), 1 bar (15 psi) for 30 minutes. | Sterilize by EtO, autoclave, or gamma radiation up to 2.5 Mrad. Repeated autoclaving will not affect overall life. |

MASTERFLEX® PUMP TUBING FORMULATIONS DESCRIPTIONS

PHARMAPURE® TUBING

- ▶ Biocompatibility similar to PharMed® BPT
- ▶ Long life under continuous pressure up to 2.7 bar (40 psi)
- ▶ Very low spallation and low extractables

CHEM-DURANCE® BIO TUBING

- ▶ Excellent chemical resistance
- ▶ Excellent pumping life
- ▶ Low spallation
- ▶ USP Class VI specifications
- ▶ Masterflex exclusive

PTFE TUBING

- ▶ Chemically inert; best chemical resistance of any pump tubing
- ▶ Sold in molded pump tubing elements
- ▶ Use with PTFE tubing pump head

TYGON® E-LFL TUBING

- ▶ Longest tubing life of all Tygon tubing formulations
- ▶ Broad chemical compatibility
- ▶ Low gas permeability

TYGON® E-FOOD TUBING

- ▶ Meets various food and sanitary regulations
- ▶ Unaffected by common commercial sanitizers
- ▶ Nonwetting properties allow flush-cleaning and complete drainage
- ▶ Smooth inner surface




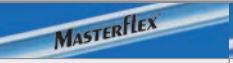

STERILIZATION

Ethylene oxide (ETO): Coil tubing loosely in nonlinting cloth or sterilization paper. Follow the sterilization equipment manufacturer's directions as to gas type, concentration, times, and temperatures; maintain humidity within the prescribed limits, generally between 30 to 65%.

Standard gravity autoclave: Coil tubing loosely in nonlinting cloth or sterilizing paper, and place in a clean, open tray for 30 minutes at 121°C (250°F) at 1 kg/cm² (15 psi); air dry at max 66°C (150°F) for 2 to 2½ hours until clear.

Gamma radiation: Cap ends of tubing if required. Radiation should be product specific and according to GMP guidelines.

MASTERFLEX® Exclusive

| Pump tubing formulation | PharmaPure® | Chem-Durance® Bio | PTFE | Tygon® E-LFL | Tygon® E-Food (B-44-4X) | |
|--|---|--|--|--|---|----------------------------|
| Series number | 06435 | 06442 | 77390 | 06440 | 06418 | |
| |  |  |  |  |  | |
| Advantages | Nontoxic and nonhemolytic (similar to PharMed® BPT); biocompatible. Long life even under pressure; up to 1000 hours at 2.7 bar (40 psi). Very low spallation—protects fluid purity. Low extractables. Low gas permeability. | Excellent chemical resistance. Excellent life and durability under pressure. Low spallation. Plasticizer-free inner liner. High dielectric constant. Excellent biocompatibility. | Chemically inert. Excellent chemical resistance. Will not leach into or absorb out of fluid being pumped. Extremely low gas permeability. Nontoxic. Virtually nonporous. Low coefficient of friction. | Longest life of all Tygon® peristaltic tubing (up to 1000 hrs). Clear for easy flow monitoring. Broad chemical resistance. Nonaging, nonoxidizing. Low gas permeability. Smooth bore. Good for viscous fluids. High dielectric constant. | Designed especially for handling food products. Bore is extremely smooth (better than most stainless steels) Nontoxic, will not affect taste or odor, and clear for CIP and flow verification. Excellent nonwetting properties permit flush cleaning and complete drainage. High dielectric constant. | |
| Limitations | Potential leaching of USP mineral oil or blend material. | Requires high starting torque. | Limited pumping life. Sold as tube elements only; no continuous lengths available. | Do not use with strong acids and alkalis. | Limited pumping life. | |
| Application suitability: | | | | | | |
| Acids | Good | Excellent | Excellent | Good | Good | |
| Alkalies | Good | Excellent | Excellent | Good | Good | |
| Organic solvents | Not recommended | Good | Excellent | Not recommended | Not recommended | |
| Pressure | Good | Excellent | Good | Good | Good | |
| Vacuum | Good | Excellent | Good | Good | Good | |
| Viscous fluids | Excellent | Excellent | Excellent | Excellent | Excellent | |
| Sterile fluids | Excellent | Excellent | Good | Good | Fair | |
| Physical characteristics and composition | Thermoplastic elastomer. Polypropylene-based material with USP mineral oil. Excellent tensile strength. Firm (stiff) material. Opaque, off-white. | Thermoplastic elastomer (for outer jacket). Plasticizer-free inner liner. Firm (stiff) material. Opaque, beige. | Polytetrafluoroethylene. Rigid material. Translucent, white. | Thermoplastic. PVC-based material with plasticizer. Firm (stiff) material. Transparent, clear. | Thermoplastic. PVC-based material with plasticizer. Firm (stiff) material. Transparent, clear. | |
| Temperature range | Static | -51 to 132°C (-60 to 270°F) | -60 to 74°C (-71 to 165°F) | -240 to 260°C (-400 to 500°F) | -46 to 74°C (-51 to 165°F) | -36 to 74°C (-32 to 165°F) |
| | Dynamic (pumping) | -20 to 80°C (-4 to 176°F) | 0 to 40°C (32 to 104°F) | -40 to 150°C (-40 to 302°F) | 0 to 40°C (32 to 104°F) | 0 to 40°C (32 to 104°F) |
| Meets classifications | USP Class VI FDA 21 CFR 177.2600 European Pharmacopoeia (EP 3.2.9) Reach Compliant RoHS Compliant | USP Class VI FDA 21 CFR 177.2600 Reach Compliant RoHS Compliant | USP Class VI Reach (non-DEHP) ADCF RoHS | USP Class VI European Pharmacopoeia 3.2.9 FDA 21 CFR 175.300 EU Food Reach (non-DEHP) RoHS, ADCF | FDA 21 CFR 175.300 EU Food NSF-51 Reach (non-DEHP) RoHS ADCF 3A | |
| Gas permeability cc x mm (cm ² x sec x cm Hg) x 10 ⁻¹⁰ | CO ₂ : 1200 H ₂ : — O ₂ : 200 N ₂ : 80 | CO ₂ : 745 H ₂ : — O ₂ : 200 N ₂ : 80 | CO ₂ : 6.8 H ₂ : — O ₂ : — N ₂ : 1.0 | CO ₂ : 563 H ₂ : — O ₂ : 124 N ₂ : 67 | CO ₂ : 270 H ₂ : 97 O ₂ : 60 N ₂ : 30 | |
| Cleaning/sterilization | Sterilize by EtO, autoclave or gamma radiation up to 2.5 Mrad. Repeated autoclaving will not affect overall life. | Sterilize with ethylene oxide (EtO) radiation or autoclave. To autoclave: Coil loosely in nonlinting cloth or paper, autoclave at 121°C (250°F) 1 kg/cm ² (15 psi) for 30 minutes; air dry at 66°C (150°F) for 2 to 2½ hours. Radiation: 2.5 Mrads. | Sterilize by EtO, autoclave or dry heat. | Sterilize with EtO or autoclave. To autoclave: Coil tubing loosely in nonlinting cloth or paper, autoclave at 121°C (250°F), 1 kg/cm ² (15 psi) for 30 minutes (tubing will appear milky); air dry at max 66°C (150°F) for 2 to 2½ hours until clear. | Unaffected by commercial sanitizers (with recommended procedures). Sterilize by EtO or autoclave. To autoclave: Coil tubing loosely in nonlinting cloth or paper; autoclave at 121°C (250°F), 1 kg/cm ² (15 psi) for 30 minutes (tubing will appear milky); air dry at max 66°C (150°F) for 2 to 2½ hours until clear. | |



OTHER INDUSTRIAL AND FOOD-GRADE TUBING

TYGON® E-LAB TUBING

- ▶ Ideal for general transfer applications
- ▶ Economical
- ▶ Nontoxic, nonaging, and nonoxidizing

TYGON® FUEL & LUBRICANT TUBING

- ▶ Ideal for transferring hydrocarbons, gasoline, kerosene, heating oils, cutting compounds, and glycol-based coolants
- ▶ Not for use with concentrated strong acids or alkalies

TYGON® CHEMICAL TUBING

- ▶ Best chemical resistance of Tygon formulations
- ▶ Compatible with some organics
- ▶ Plasticizer-free

NORPRENE® TUBING

- ▶ Up to 10,000 hours of tubing life
- ▶ Best choice for pressure/vacuum applications
- ▶ Resists heat, ozone, acids, and alkalies
- ▶ Heat sealable and bondable
- ▶ Nonaging, nonoxidizing

NORPRENE® FOOD TUBING

- ▶ Ideal for high-temperature food and beverage applications
- ▶ Similar characteristics as Norprene® tubing
- ▶ Meets FDA and NSF standards

WHERE TO ORDER TUBING

| | |
|-------------------|---------|
| C/L® TUBING | 33 |
| L/S® TUBING | 68-73 |
| I/P® TUBING | 126-130 |
| B/T® TUBING | 153 |

| Pump tubing formulation | Tygon® E-Lab (E-3603) | Tygon® Fuel & Lubricant (F-4040-A) | Tygon® Chemical (2001) | Norprene® (A 60 G) | Norprene® Food (A 60 F) |
|--|---|--|---|---|---|
| Series number | 06509 | 06401 | 06475 | 06404 | 06402 |
| | | | | | |
| Advantages | Inexpensive tubing for general laboratory applications. Clear for easy flow monitoring. Handles virtually all inorganic chemicals. Nonaging, nonoxidizing. Low gas permeability. Good for viscous fluids. High dielectric constant. | Specially formulated to transport hydrocarbons, petroleum products, and distillates. Suitable for gasoline, kerosene, heating oils, cutting fluids, and glycol-based coolants. Minimum extractability. Low gas permeability. High dielectric constant. | Best chemical resistance of any Tygon® formulation. Compatible with many polar solvents. Plasticizer-free. Clear for easy flow monitoring. Low extractability. Low gas permeability. High dielectric constant. | Best choice for vacuum/pressure applications. Offers longest pump tubing life. Heat, ambient ozone resistant. Good resistance to acids/alkalies. Black color hides dirt and dust. Heat sealable, nonaging, and nonoxidizing. High dielectric constant. High-pressure version available. | Similar to Norprene® (06404) but with FDA approval. Excellent for food/dairy applications. Longest life, good flow consistency. Heat and ozone resistant. Good resistance to acids/alkalies. Heat sealable, nonaging, and nonoxidizing. High dielectric constant. |
| Limitations | Limited pumping life. | Don't use with strong acids and alkalies. | Limited pumping life. Some external spallation during use (does not affect tubing ID). Recommended for use with Easy-Load®, Easy-Load® II, and Easy-Load® 3 pump heads only. | Potential leaching of USP mineral oil or blend material. | Potential leaching of USP mineral oil or blend material. |
| Application suitability: | | | | | |
| Acids | Good | Good | Excellent | Good | Good |
| Alkalies | Good | Good | Excellent | Good | Good |
| Organic solvents | Not recommended | Not recommended | Good | Not recommended | Not recommended |
| Pressure | Good | Good | Good | Excellent | Excellent |
| Vacuum | Good | Good | Good | Excellent | Excellent |
| Viscous fluids | Excellent | Excellent | Excellent | Excellent | Excellent |
| Sterile fluids | Poor | Poor | Good | Not recommended | Good |
| Physical characteristics and composition | Thermoplastic. PVC-based material with plasticizer. Firm (stiff) material. Transparent, clear. | Thermoplastic. PVC-based material with plasticizer. Firm (stiff) material. Transparent, yellow. | Thermoplastic elastomer. PVC- and plasticizer-free material. Firm (stiff) material. Transparent, clear. | Thermoplastic elastomer. Polypropylene-based material with USP mineral oil. Excellent tensile strength. Firm (stiff) material. Opaque, black. | Thermoplastic elastomer. Polypropylene-based material with USP mineral oil. Excellent tensile strength. Firm (stiff) material. Opaque, beige. |
| Temperature range | -46 to 74°C (-51 to 165°F) 0 to 40°C (32 to 104°F) | -37 to 74°C (-35 to 165°F) 0 to 40°C (32 to 104°F) | -77 to 57°C (-108 to 135°F) 0 to 40°C (32 to 104°F) | -59 to 132°C (-60 to 270°F) -20 to 80°C (-4 to 176°F) | -59 to 132°C (-60 to 270°F) -20 to 80°C (-4 to 176°F) |
| Meets classifications | USP Class VI FDA 21 CFR 175.300 EU Food NSF-51 Reach (non-DEHP) RoHS ADCF | None Reach Compliant RoHS Compliant ADCF Compliant | FDA 21 CFR 175.300 Reach Compliant RoHS Compliant ADCF Compliant | NSF-51 Reach Compliant RoHS Compliant = | FDA 21 CFR 177.2600 NSF-51 Reach Compliant RoHS Compliant |
| Gas permeability cc x mm (cm ² x sec x cm Hg) x 10 ⁻¹⁰ | CO ₂ : 360 H ₂ : 97 O ₂ : 80 N ₂ : 40 | CO ₂ : 100 H ₂ : 97 O ₂ : 22 N ₂ : 12 | CO ₂ : 114 H ₂ : — O ₂ : 19 N ₂ : 9 | CO ₂ : 1200 H ₂ : — O ₂ : 200 N ₂ : 80 | CO ₂ : 1200 H ₂ : — O ₂ : 200 N ₂ : 80 |
| Cleaning/sterilization | Sterilize with EtO or autoclave. To autoclave: Coil tubing loosely in nonflitting cloth or paper, autoclave at 121°C (250°F), 1 kg/cm ² (15 psi) for 30 minutes (tubing will appear milky); air dry at max 66°C (150°F) for 2 to 2½ hours until clear. | Sterilization is not recommended. | Sterilize by EtO, autoclave, or gamma radiation. To autoclave: Coil tubing loosely in nonflitting cloth or paper; autoclave at 121°C (250°F), 1 kg/cm ² (15 psi) for 30 minutes (tubing will appear milky); air dry at max 66°C (150°F) for 2 to 2½ hours until clear. | Sterilize by autoclave, EtO, and gamma. Repeated sterilization will not affect overall life. | Sterilize by autoclave, EtO, and gamma. Repeated autoclaving will not affect overall life. |



OTHER INDUSTRIAL AND FOOD-GRADE TUBING

GORE® HIGH-RESILIENCE TUBING, STYLE 100SC

- ▶ Long life at continuous pressure up to 4 bar (60 psi)
- ▶ Excellent flow stability
- ▶ Spallation-free
- ▶ Low gas permeability

GORE® HIGH-RESILIENCE TUBING, STYLE 500

- ▶ Very similar to Style 100SC, plus:
- ▶ Excellent chemical resistance
- ▶ Compatible with many inorganic and organic chemicals

GORE® HIGH-RESILIENCE TUBING, STYLE 400

- ▶ Long life under pressure
- ▶ Minimal break-in period
- ▶ Excellent chemical compatibility
- ▶ Ideal for industrial applications

VITON® TUBING

- ▶ Excellent chemical resistance
- ▶ Resists corrosives, solvents, and oils at elevated temperatures

WHERE TO ORDER TUBING

| | |
|-------------------|---------|
| C/L® TUBING | 33 |
| L/S® TUBING | 68–73 |
| I/P® TUBING | 126–130 |
| B/T® TUBING | 153 |

| Pump tubing formulation | GORE® Style 100SC | GORE® Style 500 | GORE® Style 400 | Viton® |
|--|--|---|---|--|
| Series number | 96190 | 96191 | 06439 | 96412 |
| Advantages | Long life, even under pressures up to 4 bar (60 psi). Excellent flow stability; <1% change in flow rate as tubing wears. No break-in period required. Spallation-free. Excellent biocompatibility. Low extractables. | Similar to STA-PURE® PCS tubing but with enhanced chemical resistance. Resistant to many organic and inorganic fluids. Long life at pressure up to 60 psi (4 bar). Spallation-free. Excellent biocompatibility. Low gas permeability. | Long life under pressure. Excellent tubing life. Minimal break-in period. Spallation-free. Excellent chemical compatibility. Ideal for industrial applications. | Perfect for food and lab applications where FDA compliance is required. Excellent chemical resistance. Resistant to corrosives, solvents, and oils at elevated temperatures. Low gas permeability. |
| Limitations | Sold as tube elements only; no continuous lengths available. | Sold as tube elements only; no continuous lengths available. | Does not meet either USP or FDA classifications. Limited temperature range. Sold as tube elements only. No continuous lengths available. | Limited pumping life. |
| Application suitability: | | | | |
| Acids | Not recommended | Excellent | Excellent | Excellent |
| Alkalies | Not recommended | Good | Excellent | Excellent |
| Organic solvents | Not recommended | Excellent | Variable—test before using | Variable—test before using |
| Pressure | Excellent | Excellent | Excellent | Good |
| Vacuum | Good | Good | Good | Good |
| Viscous fluids | Good | Good | Good | Good |
| Sterile fluids | Excellent | Excellent | Not recommended | Fair |
| Physical characteristics and composition | ePTFE (expanded PTFE) and platinum-cured silicone. Excellent tensile strength. Firm (stiff) material. Opaque, white. | ePTFE (expanded PTFE) and fluoroelastomer. Excellent tensile strength. Firm (stiff) material. Opaque, white. | ePTFE and Viton® type F fluoroelastomer (FKM). Excellent tensile and tear strength. Opaque, beige. | Thermal set rubber. Viton B (67% fluorine). Firm (stiff) material. Opaque, black. |
| Temperature range | Static | –40 to 150°C (–40 to 302°F) | –80 to 200°C (–112 to 392°F) | 0 to 200°C (52 to 390°F) |
| | Dynamic (pumping) | –40 to 150°C (–40 to 302°F) | –40 to 150°C (–40 to 302°F) | 0 to 150°C (32 to 302°F) |
| Meets classifications | RoHS Compliant REACH Compliant | RoHS Compliant REACH Compliant | RoHS Compliant | FDA 21 CFR 177.2600 ADCF Compliant |
| Gas permeability cc x mm (cm ² x sec x cm Hg) x 10 ⁻¹⁰ | CO ₂ : 20,132 H ₂ : 6579 O ₂ : 7961 N ₂ : 2763 | CO ₂ : 76 to 79 H ₂ : — O ₂ : — N ₂ : 4.3 | CO ₂ : 77 H ₂ : — O ₂ : 14 N ₂ : 4.3 | CO ₂ : 76 to 79 H ₂ : — O ₂ : 13 to 15 N ₂ : 4.3 |
| Cleaning/sterilization | N/A: For industrial use only | N/A: For industrial use only | N/A: For industrial use only. | — |

MASTERFLEX[®]

NEW

Masterflex[®] Tygon[®] Non-DEHP Peristaltic Pump Tubing

- All formulations now made with a bio-based and fully biodegradable plasticizer
- No BPA or phthalates—REACH compliant, environmentally responsible, and safer for products, people, and the planet
- Available in most Masterflex sizes to ensure the best performance when used with Masterflex peristaltic pumps



Tygon[®] E-LFL (Long Flex Life) Pump Tubing

As the successor to Tygon LFL, this new formulation offers the best peristaltic pump life of any clear Tygon tubing. It has been tested for up to 1000 hours at 0 psi and 150 hours at 25 psi. This non-DEHP tubing is perfect for laboratory, food & beverage, and biopharmaceutical applications. Safe and nontoxic, it can be sterilized via ethylene oxide gas or autoclave. Complies with USP Class VI, EP 3.2.9, ISO 10993, EU Food 10/2011, and FDA requirements.



Tygon[®] E-Food (B-44-4X) Pump Tubing

The new Tygon E-Food tubing is one of the first to offer a near global approval for the food, beverage, and sanitary industries. This new non-DEHP formulation offers a significantly better pump life—second only to E-LFL for the clear Tygon formulations. Smooth nonporous bore will not trap particles or promote bacterial growth. Compatible with foods containing high oil content. Resistant to harsh cleaners, sanitizers, and can be sterilized via ethylene oxide gas and autoclave. Complies with FDA, 3-A, EU Food 10/2011, and NSF 51 standards.



Tygon[®] E-Lab (E-3603) Laboratory Pump Tubing

Tygon E-Lab is the next generation of the successful Lab (R-3603) tubing, bringing together clarity, flexibility, crack-resistance, affordability, and now environmental-friendliness. Tygon E-Lab is designed for general laboratory work with peristaltic pumps and analytical instruments. It offers a wide range of chemical compatibility, and can be sterilized by ethylene oxide gas and autoclave.

TUBING HIGHLIGHTS

MASTERFLEX® PURI-FLEX™ PUMP TUBING

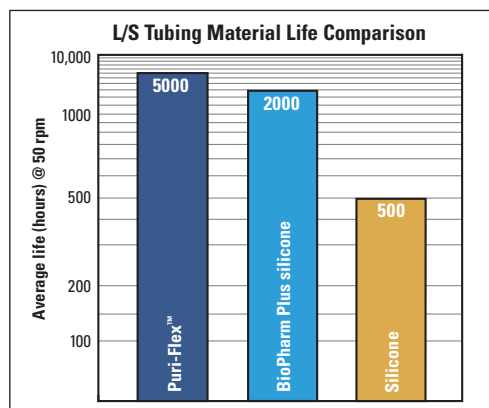


FEATURES/BENEFITS

- ▶ Significantly longer pump life than silicone formulations
- ▶ No phthalate plasticizers or DEHP additives
- ▶ Ultralow extractable and leachables
- ▶ Autoclave to higher 135°C (275°F) standard
- ▶ Weldable/sealable
- ▶ Animal-derived component free (ADCF)

APPLICATIONS

- ▶ Cell and tissue culture and fermentation work
- ▶ Pharmaceutical
- ▶ Biotech
- ▶ High-purity requirements
- ▶ General-purpose lab
- ▶ Sterile filling and dispensing systems



MASTERFLEX® C-FLEX® ULTRA PUMP TUBING



FEATURES/BENEFITS

- ▶ Complies with USP 24/NF19 Class VI
 - ▶ Chemically resistant to concentrated acids and alkalis
 - ▶ Significantly less permeable than silicone
 - ▶ Flexible over wide temperature range of -45 to 135°C (-50 to 275°F)
 - ▶ Very low spallation
 - ▶ Exceptional pump life
 - ▶ Runs clean with minimal residue
 - ▶ Excellent clarity
 - ▶ Sealable and weldable
 - ▶ Available in all MasterFlex sizes
 - ▶ Easily integrated in custom configurations
- C-Flex® ULTRA is a unique, proprietary thermoplastic elastomer specifically designed to meet the critical demands of the pharmaceutical, research, biopharmaceutical, and diagnostics industries.

APPLICATIONS

- ▶ Cell culture media and fermentation
- ▶ Pharmaceutical
- ▶ Vaccine production
- ▶ Research and development
- ▶ Biotech
- ▶ Medical
- ▶ Diagnostics
- ▶ High purity





MASTERFLEX® TYGON® E-LFL PUMP TUBING



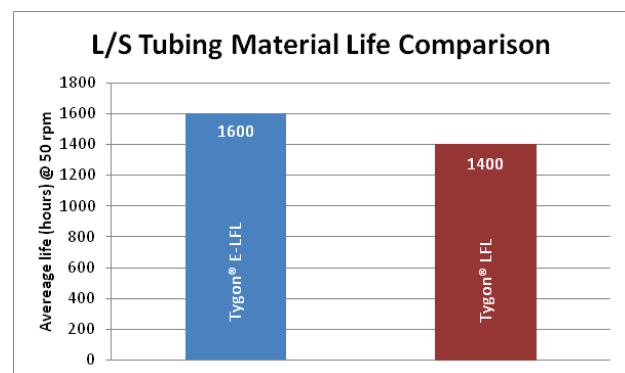
FEATURES/BENEFITS

- ▶ Longest pumping life of any clear Tygon tubing—reduces process downtime
- ▶ Broad chemical resistance—excellent for laboratory applications
- ▶ Autoclavable for high-purity applications
- ▶ Extremely low particle spallation—reliable for sensitive fluid applications
- ▶ Meets USP Class VI, ISO 10993 and FDA criteria—suitable for laboratory, food & beverage, and biopharmaceutical applications
- ▶ Contains no BPA or phthalates
- ▶ Temperature flexibility range of -46 to 74°C (-51 to 165°F)

Designed to address market concerns about phthalate content and to meet regulatory requirements, Masterflex Tygon E-LFL is the result of years of testing for chemical resistance, pumpability, and general tubing performance. Tygon E-LFL offers a global compliance certification set, including USP Class VI, European Pharmacopeia 3.2.9, FDA, European Food (10/2011/EU), Japan Food Sanitation Law #370/1959, REACH, and 1935/2004/EC.

APPLICATIONS

- ▶ Wide range of liquid transfer in labs
- ▶ Production filtration and fermentation
- ▶ Food & beverage and cosmetic processing
- ▶ Surfactant delivery
- ▶ Flavor and vitamin concentrate dispensing
- ▶ Printing ink transfer
- ▶ Highly viscous fluid transfer
- ▶ Drum and tank drainage
- ▶ Shear-sensitive fluid transfer



MASTERFLEX® TYGON® E-FOOD PUMP TUBING



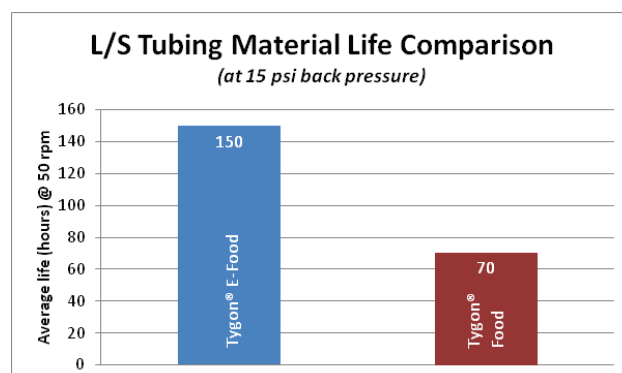
FEATURES/BENEFITS

- ▶ Smooth, nonporous bore will not trap particulates or promote bacterial growth
- ▶ Compatible with foods containing a high oil content
- ▶ Resistant to harsh alkaline cleaners and sanitizers
- ▶ Excellent alternative to rigid piping systems
- ▶ Contains no BPA or phthalates
- ▶ Temperature flexibility range of -46 to 74°C (-51 to 165°F)

Masterflex E-Food offers dramatically longer pumping life than the original Masterflex Tygon Food formulation (Tygon B-44-4X). Precision extruded for an exceptionally smooth inner bore, this tubing helps protect against costly contamination in your process lines. The formulation is compatible with most food substances and liquids, including those with high lipid content, while still standing up to cleaning and sanitizing routines. The tubing formulation has global compliance certificates—FDA, European Food (10/2011/EU), Japan Food Sanitation Law #370/1959, REACH, 3-A, NSF-51 and NSF-61.

APPLICATIONS

- ▶ Aseptic filling
- ▶ Condiment dispensing
- ▶ Dairy processing
- ▶ Vitamin and flavor concentrate systems
- ▶ Soft-serve dispensing



TUBING HIGHLIGHTS

MASTERFLEX® CHEM-DURANCE® BIO PUMP TUBING



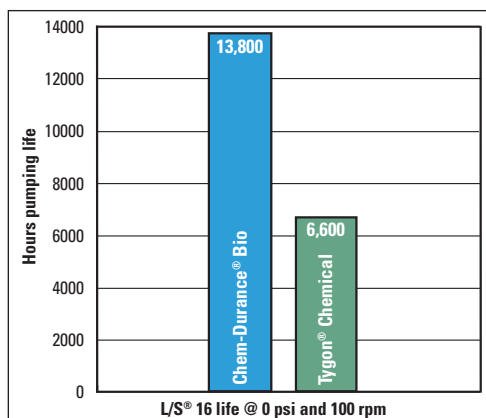
FEATURES/BENEFITS

- ▶ Long flex life in peristaltic pumps
- ▶ Temperature range of -59 to 74°C (-75 to 165°F)
- ▶ Superior chemical resistance, specifically with acids, bases, salts, and ketones
- ▶ Meets FDA criteria for food contact and USP Class VI regulations
- ▶ Resists absorption/adsorption of aqueous fluids
- ▶ Virtually unaffected by chemical sanitizers and cleaners

Chem-Durance Bio features a plasticizer-free bore (inner layer) bonded to a thermoplastic elastomer jacket (outer layer) to create a tubing that combines outstanding pump life and chemical resistance. The inner bore is hydrophobic and resists absorption/adsorption of aqueous fluids to minimize the risk of fluid alteration in single- or repeat-use applications. In addition, the inner liner material reduces particulate spallation in your fluid, ensuring a cleaner process. Its outer elastomer jacket offers greater flexibility and excellent pump life. Test results show pump life of over 13,000 hours at 100 rpm and 0 psi. This unique combination of chemical-resistant inner liner and flexible outer jacket allow Chem-Durance Bio to offer better pumping life than any other similar tubing material.

APPLICATIONS

- ▶ Ink production
- ▶ Battery acid filling
- ▶ Specialty chemical production/processing
- ▶ Diagnostic testing
- ▶ Sensitive-fluid transfer



MASTERFLEX® PHARMAPURE® PUMP TUBING



FEATURES/BENEFITS

- ▶ Ultra-low particulate spallation
- ▶ Outlasts silicone tubing in peristaltic pumps up to 30 times
- ▶ Provides an excellent barrier with low permeability
- ▶ Withstands autoclaving and sterilization
- ▶ Meets all USP Class VI and FDA criteria

PharmaPure tubing is a premium peristaltic pump tubing that combines unsurpassed pump life with ultra-low particle spallation. Developed especially for pharmaceutical, biotechnology, and laboratory applications, this tubing provides superior flex life; excellent wear properties; low permeability and superior adsorption characteristics as compared to silicone and other alternate materials. Recommended for use in all Masterflex L/S®, I/P®, and B/T® pump heads, except for L/S and I/P High-Performance pump heads.

APPLICATIONS

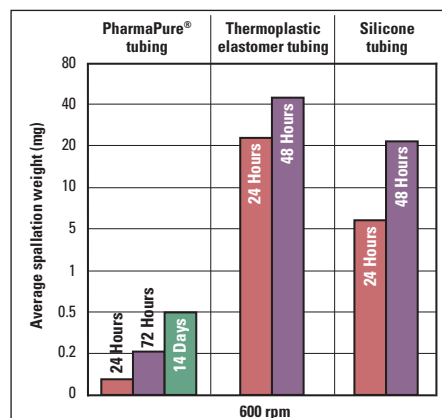
- ▶ Cell harvest and media process systems
- ▶ Vaccine manufacturing
- ▶ Bioreactor process lines
- ▶ Sterile filling
- ▶ Diagnostic test products
- ▶ Production filtration and fermentation

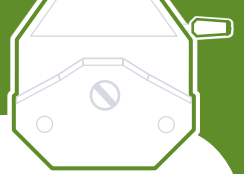


With its superior flex life and low spallation rate, PharmaPure tubing is an ideal option in biotechnology and laboratory applications. The inner layer protects sensitive cell cultures.

SPALLATION RATE TUBING COMPARISON

The following test data summarizes the spallation results of select tubing used in a peristaltic pump. In each case ¼" ID tubing was used in a three-roller pump head operating at 600 rpm under room temperature 23°C (73°F). Results from a minimum of five samples were averaged to obtain values.





MASTERFLEX® PLATINUM-CURED SILICONE PUMP TUBING



FEATURES/BENEFITS

- ▶ Excellent flexibility
- ▶ Stability over a wide temperature range
- ▶ High resiliency
- ▶ No leachable additives
- ▶ No imparted taste or odor
- ▶ No added organic plasticizers, phthalates, or latex additives
- ▶ Exceeds USP Class VI
- ▶ Meets European Pharmacopoeia 4th edition 3.1.9 requirements
- ▶ Each lot is tested for heavy metals

APPLICATIONS

- ▶ Media processing
- ▶ General-purpose Lab
- ▶ Vaccine manufacturing
- ▶ Sanitary sampling



MASTERFLEX® BIOPHARM PLUS SILICONE PUMP TUBING



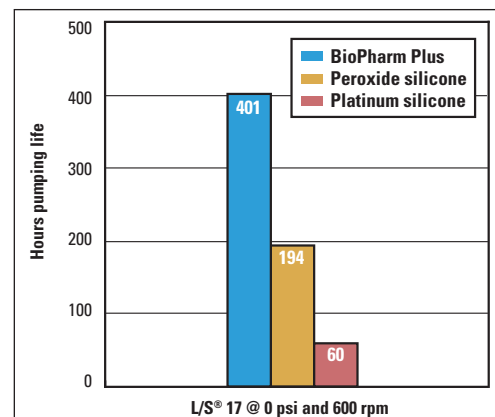
FEATURES/BENEFITS

- ▶ The shortest break-in period for pumping and the most consistent flow repeatability of any Masterflex tubing formulation
- ▶ Three times smoother than standard peroxide- or platinum-cured silicone tubing
- ▶ Ultra-smooth inner bore inhibits bacterial growth in fluid line
- ▶ Exceptional pumping life—up to 4 times longer pump life than standard silicones!
- ▶ Meets or exceeds USP, EP, 3A and FDA requirements

BioPharm Plus pump tubing is a perfect choice for any application requiring a high degree of purity, excellent repeatability, long pumping, and a combination of these. Designed to withstand pressure better than standard silicones, BioPharm Plus offers longer pumping life with ultra-low particulate spallation. Its superior flex characteristics mean less fatigue while in use, ensuring excellent repeatability in pump performance and remarkable consistent flow over the life of the tubing.

APPLICATIONS

- ▶ Sterile filling
- ▶ Diagnostic test product manufacturing
- ▶ Media processing
- ▶ Vaccine manufacturing
- ▶ High-accuracy drug, food and beverage repetitive dispensing



TUBING PUMPS

TOP REASONS TO CHOOSE A MASTERFLEX® TUBING PUMP

1 SIMPLICITY

Masterflex® pumps are easy to use. In most cases, they can be installed within minutes. With few moving parts, they're easy to maintain.

2 CONTAMINATION-FREE PUMPING

Since peristaltic pumps confine the fluid to the tubing, the pump cannot contaminate the fluid and the fluid cannot contaminate your pump. To pump a different fluid, simply change the tubing.

3 ECONOMY

Feature-for-feature, you will not find a lower priced tubing pump on the market. For economical liquid transfer, you can buy a complete variable-speed Masterflex pump for under \$600.

4 ACCURACY

Each component of a Masterflex tubing pump is designed to strict standards and then rigorously tested; you can be confident of extremely accurate flow delivery.

5 SELECTION

Masterflex drives, coupled with interchangeable pump heads and tubing, offer wide flow ranges and more than 10,000 possible pump combinations. Our pumps are designed for a wide variety of environments, from basic laboratory to industrial process to field use applications.

6 DURABILITY

A Masterflex tubing pump system does not have direct contact with the pumped fluid, so it has a longer service life than other pumps.

7 VERSATILITY

One of the biggest advantages of variable-speed pumping is the wide variety of applications a single pump can handle. Masterflex pumps enhance this advantage by offering many different pump heads for each drive. By interchanging the components, you effectively customize the pump for your changing needs.

8 APPLICATION ASSISTANCE

Contact your Masterflex distributor for expert product and technical assistance on any Masterflex tubing pump system.

9 OEM ADAPTABILITY

Masterflex pumps are ideal for a wide variety of original equipment manufacturing (OEM) applications.

C/L® TUBING PUMPS

C/L® tubing pumps combine low flow and a compact size into a single pump that sits on your benchtop or panel mounts in your equipment rack—ideal for analyzer applications.

Pumps/Tubing 34–37



LOW FLOW



FLOW RANGE
0.002 to 43 mL/min

OEM

COMPACT

L/S® TUBING PUMPS

This pump group includes fixed- and variable-speed pumps. It features high-accuracy drives for precise flow control and dispensing. L/S® pumps are designed for laboratory, process, or field use.

Pump heads 38–67

Tubing 68–73

Drives 74–107

Systems 108–117



PRECISION

PROCESS

EASY TO USE

FLOW RANGE
0.0006 to 3400 mL/min





FROM LAB TO PROCESS

I/P® TUBING PUMPS

I/P® pumps are characterized by powerful motors and better protection from the hazards of industry like dust and water. Use these pumps in your manufacturing process or for quick fluid transfer in your lab.

| | |
|------------------|---------|
| Pump heads | 118–125 |
| Tubing | 126–130 |
| Drives | 131–145 |
| Systems | 146–151 |

BRUSHLESS



FLOW RANGE
0.001 to 26 LPM

INDUSTRIAL

WASHDOWN



APPLICATION TIPS FOR MASTERFLEX TUBING PUMPS

TO MAXIMIZE TUBING LIFE

- ▶ Run larger tube sizes at slower speeds
- ▶ Select longer-life material (see “Tubing Selection Hints” below)
- ▶ Reduce pressure in system
- ▶ Stop pump periodically, move tubing 20 to 25 cm (8 to 10 inches) forward
- ▶ Reduce occlusion if possible

TO PUMP VISCOUS FLUIDS

- ▶ Choose tubing at least one size larger than the flow rate requires
- ▶ Keep drive speed below 300 rpm; the slower the motor, the better the flow
- ▶ Pressurize the inlet
- ▶ Use adjustable occlusion pumps: over-occlude to prime; reduce occlusion for longer life

TO PUMP ABRASIVE FLUIDS

- ▶ Keep soft particle sizes <25% of tube ID
- ▶ Keep hard particle sizes <5% of tube ID
- ▶ Keep drive speed below 300 rpm
- ▶ Use adjustable occlusion pumps: over-occlude to prime; reduce occlusion for longer life

TO REDUCE PULSATION

- ▶ Use a pulse dampener
- ▶ Use adjustable occlusion pump: reduce occlusion and apply back pressure
- ▶ Use dual (stacked) heads with offset rollers and unify channels
- ▶ Add extra discharge tubing to system
- ▶ Run smaller tube sizes at higher speeds
- ▶ Use a pump head with a higher number of rollers

TO CHECK TUBING COMPATIBILITY

- ▶ See the Masterflex Tubing Compatibility Tables on pages 30–31
- ▶ Follow the Tubing Test procedure on page 31
- ▶ Always pretest unfamiliar chemicals before using with desired tubing
- ▶ Call to request a Free Masterflex Tubing Test Kit today!

TUBING SELECTION HINTS

- ▶ See Tubing Formulation Descriptions on pages 20–24
- ▶ Longest life: Norprene®, PharMed® BPT, Tygon® E-LFL, GORE® Style 100 and Style 500, Puri-Flex™, Biopharm Plus silicone, PharmaPure®, Chem-Durance® Bio
- ▶ Best clarity: Tygon® formulations, silicone (platinum-cured)
- ▶ USP Class VI: Silicones, C-FLEX®, C-Flex® ULTRA, PharMed® BPT, PharmaPure®, Puri-Flex™, Chem-Durance® Bio, Tygon® Chemical, Tygon® E-LFL, PTFE
- ▶ High purity: PTFE, GORE® Style 500, PharmaPure®
- ▶ Pressure/vacuum: Norprene®, Norprene® HP, PharMed® BPT, PharMed® BPT HP, PharmaPure®

B/T® TUBING PUMPS

B/T® pumps have the highest flow rates of any pumps in our Masterflex line. They are ideal for transferring large batches of fluids. B/T tubing pumps have heavy-duty motors and excellent hazard protection.

| | |
|------------------|---------|
| Pumps | 152–158 |
| Pump heads | 159 |
| Tubing | 153 |

MANUFACTURING

HEAVY-DUTY

FLOW RANGE
0.3 to 42 LPM



HIGH FLOW

C/L® VARIABLE-SPEED SINGLE-CHANNEL TUBING PUMPS

FEATURES/BENEFITS

- ▶ Deliver flow rates from 0.002 to 43.0 mL/min
- ▶ Ideal for chromatography, spectroscopy, analyzer, and dispensing applications
- ▶ Compact ¼-DIN housing
- ▶ Mount on equipment rack or place on lab bench
- ▶ Reversible motor for pumping fluid in either direction
- ▶ Remote control capabilities
- ▶ Change tubing quickly by releasing built-in retainers
- ▶ Use all sizes of microbore tubing
- ▶ Average fixed occlusion eliminates adjustment after tubing change
- ▶ Suitable for OEM applications

DRIVE CONTROLS

- ▶ All manual controls on front panel
- ▶ Separate 1-turn speed control and CW/OFF/CCW switch with green LED power indicator
- ▶ Maintain speed setting when pump is turned on/off or reversed
- ▶ "Max" button runs pump at 100% of max rpm to prime or rapidly flush tubing



NEW



C/L variable-speed single-channel pump 77122-24

SETUP

1. Open cover to lower occlusion bed.
2. Wrap tubing around rollers.
3. Secure tubing in retainers.
4. Snap occlusion bed shut and close cover.
 - ◆ Pump head has average fixed occlusion, so there's no need for adjustment
 - ◆ 1.5 m (5 ft) of 0.89-mm ID Tygon® E-LFL tubing supplied

See specifications on next page for more information.

SPEED CONTROL/CIRCUITRY

- ▶ CW/OFF/CCW switch and 1-turn potentiometer
- ▶ Speed control: ±5%
- ▶ Current limited: 1.0 A DC max
- ▶ Voltage: 100 to 240 VAC (50/60 Hz) or 12 VDC
- ▶ Humidity: 10 to 90%

REMOTE CONTROL

- ▶ Remote control connections on back of dual-channel and single-channel pumps
- ▶ Start/stop pump with contact closure

ISO9001:2008
CERTIFIED SUPPLIER



1 year
warranty

Power supplies are:



ORDERING INFORMATION

| Catalog number | rpm | Power (50/60 Hz) |
|-----------------------------|-----------|------------------|
| HL-77122-04 | 1.7 to 10 | 90 to 260 VAC |
| HL-77122-06 | | 12 VDC† |
| HL-77122-14 | 13 to 80 | 90 to 260 VAC |
| HL-77122-16 | | 12 VDC† |
| HL-77122-24 | 50 to 300 | 90 to 260 VAC |
| HL-77122-26 | | 12 VDC† |

†Power supply not included with 12 VDC models.

MICROBORE PUMP TUBING FLOW RATE INFORMATION (mL/MIN)

| rpm | Microbore pump tubing size (ID) | | | | | | | |
|-----------|---------------------------------|----------------|----------------|---------------|---------------|--------------|--------------|--------------|
| | 0.19 mm | 0.25 mm | 0.51 mm | 0.89 mm | 1.14 mm | 1.42 mm | 2.06 mm | 2.79 mm |
| 1.7 to 10 | 0.002 to 0.013 | 0.004 to 0.022 | 0.015 to 0.087 | 0.041 to 0.25 | 0.064 to 0.39 | 0.09 to 0.57 | 0.18 to 1.05 | 0.28 to 1.65 |
| 13 to 80 | 0.017 to 0.10 | 0.03 to 0.18 | 0.12 to 0.70 | 0.33 to 2.0 | 0.52 to 3.1 | 0.75 to 4.5 | 1.4 to 8.5 | 1.8 to 11.0 |
| 50 to 300 | 0.06 to 0.38 | 0.11 to 0.67 | 0.43 to 2.6 | 1.2 to 7.4 | 1.9 to 11.5 | 2.8 to 17.0 | 5.3 to 32 | 7.2 to 43 |

MICROBORE PUMP TUBING ORDERING INFORMATION

| Tube ID (mm) | Tygon® E-Lab | Silicone, platinum-cured | Silicone, peroxide-cured | PharMed® BPT | Tygon E-LFL (long flex life) | Viton® | Puri-Flex™ | C-FLEX® | Solvent/hydrocarbon |
|---------------|-----------------------------|-----------------------------|-----------------------------|-----------------------------|------------------------------|-----------------------------|-----------------------------|-----------------------------|-----------------------------|
| 0.19 | HL-06460-10 | — | — | — | — | — | HL-96418-10 | HL-95718-10 | HL-95712-10 |
| 0.25 | HL-06460-12 | — | — | HL-95809-12 | — | — | HL-96418-12 | HL-95718-12 | HL-95712-12 |
| 0.51 | HL-06460-18 | HL-95590-18 | — | HL-95809-18 | HL-06449-18 | — | HL-96418-18 | HL-95718-18 | HL-95712-18 |
| 0.89 | HL-06460-26 | HL-95590-26 | HL-07625-26 | HL-95809-26 | HL-06449-26 | HL-97632-26 | HL-96418-26 | HL-95718-26 | HL-95712-26 |
| 1.14 | HL-06460-30 | HL-95590-30 | HL-07625-30 | HL-95809-30 | HL-06449-30 | HL-97632-30 | HL-96418-30 | HL-95718-30 | HL-95712-30 |
| 1.42 | HL-06460-34 | HL-95590-34 | HL-07625-34 | HL-95809-34 | HL-06449-34 | HL-97632-34 | HL-96418-34 | HL-95718-34 | HL-95712-34 |
| 2.06 | HL-06460-42 | HL-95590-42 | HL-07625-42 | HL-95809-42 | HL-06449-42 | HL-97632-42 | HL-96418-42 | HL-95718-42 | HL-95712-42 |
| 2.79 | HL-06460-48 | HL-95590-48 | HL-07625-48 | HL-95809-48 | HL-06449-48 | HL-97632-48 | HL-96418-48 | HL-95718-48 | HL-95712-48 |
| Quantity/pack | 30.4 m (100 ft) | 15.2 m (50 ft) | 15.2 m (50 ft) | 30.4 m (100 ft) | 30.4 m (100 ft) | 15.2 m (50 ft) | 15.2 m (50 ft) | 15.2 m (50 ft) | 15.2 m (50 ft) |

SPECIFICATIONS for C/L Variable-Speed Single-Channel Tubing Pumps

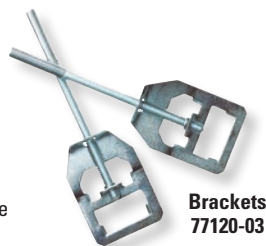
| | | | | | | |
|----------------|-----------------------------|-----------------------------|-----------------------------|-----------------------------|-----------------------------|-----------------------------|
| Catalog number | HL-77122-04 | HL-77122-06 | HL-77122-14 | HL-77122-16 | HL-77122-24 | HL-77122-26 |
|----------------|-----------------------------|-----------------------------|-----------------------------|-----------------------------|-----------------------------|-----------------------------|

| Performance specifications | | | | | | |
|----------------------------|---------------------------------|--|----------------------|--|-------------------|--|
| Flow capacity | 0.002 to 1.65 mL/min | | 0.017 to 11.0 mL/min | | 0.06 to 43 mL/min | |
| rpm | 1.7 to 10 | | 13 to 80 | | 50 to 300 | |
| Number of channels | 1 | | | | | |
| Max torque | 3.6 kg-cm (50 oz-in) | | | | | |
| Reversible | Yes | | | | | |
| External control - input | Start/stop with contact closure | | | | | |

| Electrical specifications | | | | | | |
|----------------------------------|----------------------------|---------------------------|---------------|---------------------------|---------------|--------|
| Voltage VAC (50/60 Hz) | 90 to 260 VAC | 12 VDC | 90 to 260 VAC | 12 VDC | 90 to 260 VAC | 12 VDC |
| Current (mA) | 110 at 115 V | — | 175 at 115 V | — | 400 at 115 V | — |
| Fuse rating | Not applicable | | | | | |
| Motor type | Permanent-magnet DC | | | | | |
| Motor size | 0.24 W (<1/25 hp subtract) | 2.0 W (<1/25 hp subtract) | | 7.3 W (<1/25 hp subtract) | | |
| Display | LED power indicator light | | | | | |
| Motor/speed control type | 1-turn potentiometer | | | | | |
| Speed regulation (repeatability) | ±5% (±5%) | | | | | |
| Soft start/electronic brake | Yes / No | | | | | |

| Physical specifications | |
|-------------------------|---|
| Housing materials | ¼ DIN ABS plastic |
| Pump head materials | Polyphenylene sulfide (PPS), acetal, and copolyester with stainless steel rollers |
| IP rating† | IP22 |
| Agency listings | CE; power supplies: CSA, UL, GS |
| Operating temperature | 0 to 40°C (32 to 104°F) |
| Storage temperature | -45 to 65°C (-49 to 149°F) |
| Noise level | <70 dBA @ 1 m (39") |
| Dimensions (L x W x H) | 17.8 x 8.9 x 8.9 (7.0 x 3.5 x 3.5) |
| Shipping weight | 1.4 kg (3.0 lb) |

†See page 194 for an explanation of IP ratings.



Brackets
77120-03

ACCESSORIES

[HL-77120-03](#) Brackets for panel mounting. Set of 2.

[HL-77120-11](#) Replacement power supply for 77122-04, -14, -24

[HL-17050-01](#) NIST-traceable calibration for peristaltic pump drive

HOW TO LOAD YOUR PUMP HEAD



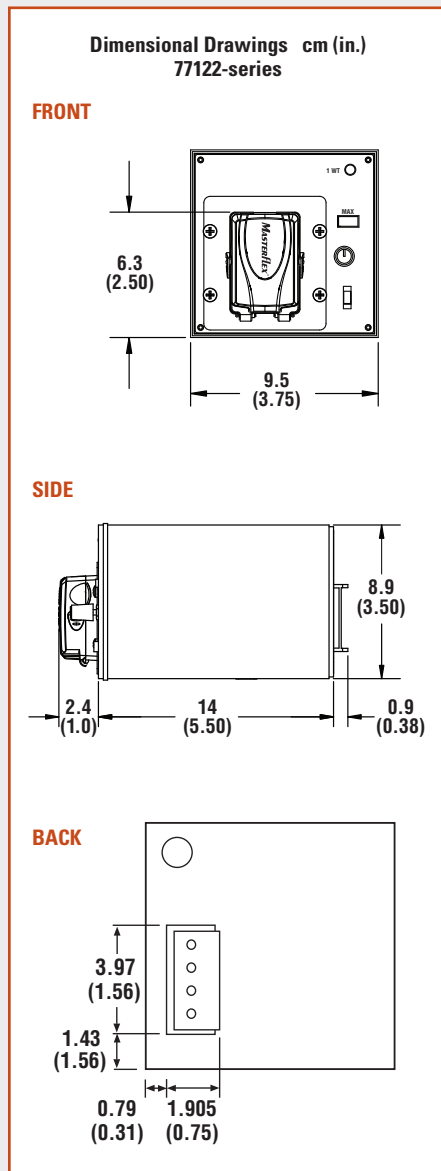
1. Open the cover and release the occlusion bed.



2. Insert tubing in right or left retainer and wrap tubing around the rollers. Secure tubing in opposite retainer.



3. Close cover.



FOR THE LATEST...

Masterflex technical resources, see

- ColeParmer.com
- Masterflex.com

ACCESSORIES..... 160-171

TECHNICAL DATA..... 172-206

C/L® VARIABLE-SPEED DUAL-CHANNEL TUBING PUMPS

FEATURES/BENEFITS

- ▶ Deliver flow rates from 0.002 to 37.0 mL/min
- ▶ Ideal for chromatography, spectroscopy, analyzer, and dispensing applications
- ▶ Compact ¼-DIN housing
- ▶ Mount on equipment rack or place on lab bench
- ▶ Reversible motor for pumping fluid in either direction
- ▶ Remote control capabilities
- ▶ Change tubing quickly by releasing built-in retainers
- ▶ Use all sizes of microbore tubing
- ▶ Average fixed occlusion eliminates adjustment after tubing change
- ▶ Suitable for OEM applications

DRIVE CONTROLS

- ▶ All manual controls on front panel
- ▶ Separate 1-turn speed control and CW/OFF/CCW switch with green LED power indicator
- ▶ Maintain speed setting when pump is turned on/off or reversed
- ▶ "Max" button runs pump at 150% of max rpm to prime or rapidly flush tubing

SETUP

1. Lower occlusion bed.
2. Wrap tubing around rollers.
3. Secure tubing in retainer.
4. Snap occlusion bed shut.
 - ◆ Pump head has average fixed occlusion, so there's no need for adjustment
 - ◆ 1.5 m (5 ft) of 0.89-mm ID Tygon® E-LFL tubing supplied

See specifications on next page for more information.



C/L variable-speed dual-channel pump 77120-32



The ideal pump for analyzer feed applications

SPEED CONTROL/CIRCUITRY

- ▶ CW/OFF/CCW switch and 1-turn potentiometer
- ▶ Speed control: ±5%
- ▶ Current limited: 1.0 A DC max
- ▶ Voltage: 90 to 260 VAC (50/60 Hz) or 12 VDC
- ▶ Humidity: 10 to 90%

REMOTE CONTROL

- ▶ Remote control connections on back of pumps
- ▶ Start/stop pump with contact closure

ISO9001:2008
CERTIFIED SUPPLIER



1 year
warranty

Power supplies are:



ORDERING INFORMATION

| Catalog number | rpm | Power (50/60 Hz) |
|--------------------------|----------|------------------|
| HL-77120-32 | 1 to 6 | 90 to 260 VAC |
| HL-77120-52 [†] | | 12 VDC |
| HL-77120-42 | 10 to 60 | 90 to 260 VAC |
| HL-77120-62 [†] | | 12 VDC |

[†]Power supply not included with 12 VDC models.

MICROBORE PUMP TUBING FLOW RATE INFORMATION (mL/MIN)

| rpm | Microbore pump tubing size (ID) | | | | | | | |
|----------|---------------------------------|-----------------|---------------|---------------|---------------|--------------|--------------|-------------|
| | 0.19 mm | 0.25 mm | 0.51 mm | 0.89 mm | 1.14 mm | 1.42 mm | 2.06 mm | 2.79 mm |
| 1 to 6 | 0.002 to 0.013 | 0.0028 to 0.017 | 0.012 to 0.07 | 0.036 to 0.20 | 0.057 to 0.34 | 0.08 to 0.49 | 0.15 to 0.88 | 0.22 to 1.3 |
| 10 to 60 | 0.02 to 0.13 | 0.03 to 0.18 | 0.12 to 0.7 | 0.36 to 2.13 | 0.55 to 3.3 | 0.8 to 4.9 | 1.5 to 8.9 | 2.1 to 12.3 |

MICROBORE PUMP TUBING ORDERING INFORMATION

| Tube ID (mm) | Tygon® E-Lab | Silicone, platinum-cured | Silicone, peroxide-cured | PharMed® BPT | Tygon E-LFL (long flex life) | Viton® | Puri-Flex™ | C-FLEX® | Solvent/hydrocarbon |
|---------------|-----------------|--------------------------|--------------------------|-----------------|------------------------------|----------------|----------------|----------------|---------------------|
| 0.19 | HL-06460-10 | — | — | — | — | — | HL-96418-10 | HL-95718-10 | HL-95712-10 |
| 0.25 | HL-06460-12 | — | — | HL-95809-12 | — | — | HL-96418-12 | HL-95718-12 | HL-95712-12 |
| 0.51 | HL-06460-18 | HL-95590-18 | — | HL-95809-18 | HL-06449-18 | — | HL-96418-18 | HL-95718-18 | HL-95712-18 |
| 0.89 | HL-06460-26 | HL-95590-26 | HL-07625-26 | HL-95809-26 | HL-06449-26 | HL-97632-26 | HL-96418-26 | HL-95718-26 | HL-95712-26 |
| 1.14 | HL-06460-30 | HL-95590-30 | HL-07625-30 | HL-95809-30 | HL-06449-30 | HL-97632-30 | HL-96418-30 | HL-95718-30 | HL-95712-30 |
| 1.42 | HL-06460-34 | HL-95590-34 | HL-07625-34 | HL-95809-34 | HL-06449-34 | HL-97632-34 | HL-96418-34 | HL-95718-34 | HL-95712-34 |
| 2.06 | HL-06460-42 | HL-95590-42 | HL-07625-42 | HL-95809-42 | HL-06449-42 | HL-97632-42 | HL-96418-42 | HL-95718-42 | HL-95712-42 |
| 2.79 | HL-06460-48 | HL-95590-48 | HL-07625-48 | HL-95809-48 | HL-06449-48 | HL-97632-48 | HL-96418-48 | HL-95718-48 | HL-95712-48 |
| Quantity/pack | 30.4 m (100 ft) | 15.2 m (50 ft) | 15.2 m (50 ft) | 30.4 m (100 ft) | 30.4 m (100 ft) | 15.2 m (50 ft) | 15.2 m (50 ft) | 15.2 m (50 ft) | 15.2 m (50 ft) |

SPECIFICATIONS for C/L Variable-Speed Dual-Channel Tubing Pumps

| Catalog number | HL-77120-32 | HL-77120-52 | HL-77120-42 | HL-77120-62 |
|-----------------------------------|---|-----------------------------|-----------------------------|-----------------------------|
| Performance Specifications | | | | |
| Flow capacity | 0.002 to 1.3 mL/min | | 0.02 to 12.3 mL/min | |
| rpm | 1 to 6 | | 10 to 60 | |
| Number of channels | 2 | | | |
| Max torque | 3.6 kg-cm (50 oz.-in) | | | |
| Reversible | Yes | | | |
| External control – input | Start/stop with contact closure | | | |
| Electrical Specifications | | | | |
| Voltage (50/60 Hz) | 90 to 260 VAC | 12 VDC | 90 to 260 VAC | 12 VDC |
| Current (mA) | 150 at 115 V | — | 150 at 115 V | — |
| Fuse rating | Not applicable | | | |
| Motor type | Permanent-magnet DC | | | |
| Motor size | 5 W (<1/25 hp subtract) | | 12 W (<1/25 hp subtract) | |
| Display | LED power indicator light | | | |
| Motor/speed control type | 1-turn potentiometer | | | |
| Speed regulation (repeatability) | ±5% (±5%) | | | |
| Soft-start/electronic brake | Yes / No | | | |
| Physical Specifications | | | | |
| Housing materials | ¼-DIN ABS plastic | | | |
| Pump head materials | Polyphenylene sulfide (PPS), stainless steel (SS), and six acetal polymer rollers | | | |
| IP rating† | IP22 | | | |
| Agency listings | CE; Power supplies: CSA, UL, GS | | | |
| Operating temperature | 0 to 40°C (32 to 104°F) | | | |
| Storage temperature | -45 to 65°C (-13 to 149°F) | | | |
| Noise level | <70 dBA @ 1 m (39") | | | |
| Dimensions (L x W x H) | 19 x 9.5 x 8.9 cm (7½" x 3¾" x 3½") | | | |
| Shipping weight | 1.4 kg (3.0 lb) | | | |

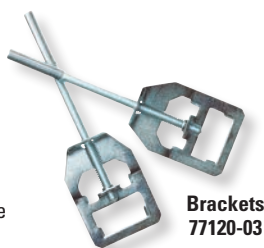
†See page 194 for an explanation of IP ratings.

ACCESSORIES

[HL-77120-03](#) Brackets for panel mounting. Set of 2.

[HL-77120-11](#) Replacement power supply for 77120-32 and -42.

[HL-17050-01](#) NIST-traceable calibration for peristaltic pump drive



Brackets
77120-03

HOW TO LOAD YOUR PUMP HEAD

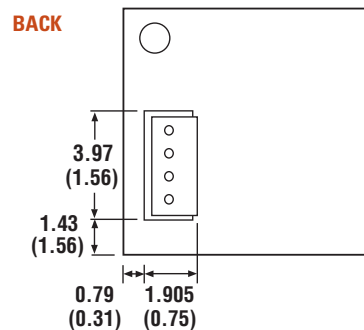
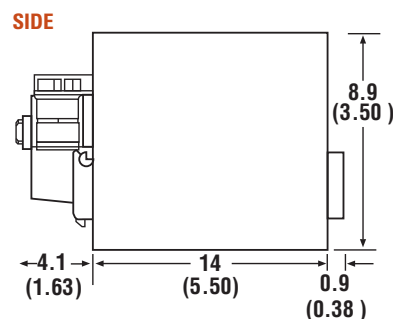
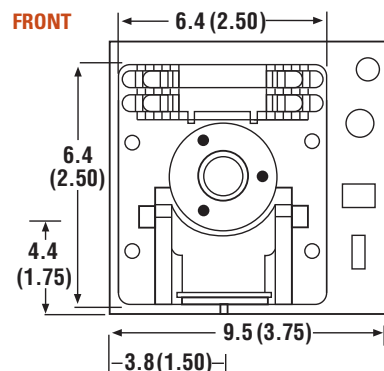


1. Lower occlusion bed. Wrap tubing around rollers and secure tubing retainers.



2. Snap occlusion bed shut.

Dimensional Drawings cm (in.) 77120-series



FOR THE LATEST...

Masterflex technical resources, see

- ColeParmer.com
- Masterflex.com

ACCESSORIES..... 160–171

TECHNICAL DATA..... 172–206

SELECTION GUIDE FOR L/S® PUMP HEADS

FEATURES OF MASTERFLEX® L/S PUMP HEADS

High Accuracy, Repeatable Performance

- Deliver flow rates from 0.00001 to 3400 mL/min
- Pump heads are designed to work best with Masterflex L/S precision pump tubing, ensuring confidence in pump performance
- Most pump designs accept continuous lengths of tubing, allowing you to:
 - Customize tubing lengths to your application
 - Simplify sanitary setups—no breaks in tubing
 - Reduce setup/cleanup time
 - Eliminate difficult fittings and clamps
 - Increase tubing life—periodically stop the pump, move tubing 15 to 20 cm (6 to 8 in.), reload, and continue pumping

Multiple Roller Design

- Ensures even flow with minimal pulsation
- Ball-bearing rollers for long service life
- Select from cold-rolled steel (CRS) or stainless steel (SS) rotor assemblies

Rugged Plastic Housings

- Molded from engineered plastics to tight specifications
- Lightweight, easy to handle
- Clear polycarbonate (PC) allows for viewing of pump head operation
- Polysulfone (PSF), polyphenylene sulfide (PPS), and polypropylene (PP) offer additional corrosion resistance

Three Occlusion Options



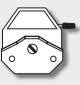
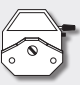
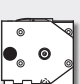

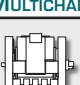



- Standard Fixed Occlusion:**
Tubing “squeeze” is fixed, but at slightly different levels for each tube size to maximize performance in each pump head with respect to tubing life, vacuum and flow characteristics and repeatability. (e.g. Standard pump heads.)
- Average Fixed Occlusion:**
Tubing “squeeze” is fixed at an average level for either precision or high-performance precision tube sizes. This allows pump heads to combine easy tubing loading while accepting a wide range of tubing sizes. (e.g. Easy-Load® series)
- Adjustable Occlusion:**
“Squeeze” is adjustable for optimal pump performance to fit a specific application. (e.g. Easy-Load® II and cartridge heads)

Adjustable Occlusion

Reducing the occlusion increases tubing life (up to five times); reduces discharge pressure; decreases pulsation; reduces cell disruption; and increases flow slightly.

Increasing the occlusion decreases tubing life; increases discharge pressure; increases pulsation and decreases flow slightly.

One common technique for prolonging tubing life is to prime the pump with nominal or high occlusion, and then reduce the occlusion slightly.

| Type | Flow rates mL/min | Number of rollers | Multichannel or stackable | Housing/roller materials† | Special features | Page number |
|---|--|-------------------|----------------------------------|----------------------------|---|-------------|
| STANDARD | | | | | | |
|  | Lowest: 0.001 Highest: 2900 | 3 | Yes, stack up to 4 heads | PC/CRS, PC/SS, or PPS/SS | Low cost, high precision and accuracy. Best choice for dispensing applications. One head accepts one tubing size. | 40–41 |
| EASY-LOAD® 3 | | | | | | |
|  | Lowest: 0.001 Highest: 2900 | 3 | Yes, stack up to 4 heads | PP and nylon/CRS or SS | Easiest tubing changes with automatic retention, same side tubing entry/exit. Mount and stack heads without tools or hardware. | 42–43 |
| EASY-LOAD® II | | | | | | |
|  | Lowest: 0.001 Highest: 2900 | 4 | Yes, stack up to 4 heads | PPS/CRS or PPS/SS | Same as Easy-Load (below) but with automatic tubing retention, and higher flow rates. Models with adjustable occlusion. | 44–45 |
| EASY-LOAD® | | | | | | |
|  | Lowest: 0.001 Highest: 2300 | 3 | Yes, stack up to 4 heads | PSF/CRS, PSF/SS, or PPS/SS | Very fast tubing changes. One head accepts many tubing sizes. Change tubing without dismounting pump head from drive. | 46–47 |
| HIGH-PERFORMANCE | | | | | | |
|  | Lowest: 0.006 Highest: 3400 | 3 | No | Polyester, SS, PPS/SS | Accepts all high-performance precision tubing sizes. Offers highest flow rate of any L/S pump head. Tubing enters and exits same side of pump head. | 48–49 |
| PTFE-TUBING | | | | | | |
|  | Lowest: 0.001 Highest: 65 | 6 | No | Aluminum, acetal/SS | Technology breakthrough! Rigid PTFE tubing is the only wetted part. Pressure capability to 6.9 bar (100 psi). | 50–51 |
| MULTICHANNEL | | | | | | |
|  | Lowest: 0.00005 Highest: 2300 (per channel) | 3 or 6 | Yes, stack for up to 32 channels | Aluminum/SS | Synchronous flow from up to 32 channels without cartridges. Two-stop tubing sets are easy to load with no adjustment needed. | 52–55 |
| MULTICHANNEL CARTRIDGE | | | | | | |
|  | Lowest: 0.00001 Highest: 1700 (per channel) | 3, 4, 6, or 8 | Yes, 1 to 12 channels | PSF/SS or PSF/Rulon® | Synchronous flow rates from each channel. Cartridges snap in and out quickly for multichannel applications. More rollers reduce pulsation in the output flow. | 56–59 |
| PTFE-DIAPHRAGM | | | | | | |
|  | Lowest: 10 Highest: 800 | — | No | — | PTFE and borosilicate glass are the only wetted parts. Excellent for metering. Pressure capability to 6.9 bar (100 psi). | 60–61 |
| MASTERFLEX® PARTNERS | | | | | | |
|  | See pages 62-67 for exact specifications. | | | | Choose from 3 different pump heads. Each style mounts directly onto a Masterflex drive. | 62–67 |

†PC = polycarbonate PP = polypropylene PPS = polyphenylene sulfide PSF = polysulfone CRS = cold-rolled steel SS = stainless steel

PUMP TUBING OPTIONS FOR L/S PUMP HEADS

| L/S pump head | Microbore pump tubing | L/S Precision pump tubing sizes | | | | | | L/S High-performance Precision pump tubing sizes | | | |
|------------------------|-----------------------|---------------------------------|--------|--------|--------|--------|--------|--|--------|--------|--------|
| | | L/S 13 | L/S 14 | L/S 16 | L/S 25 | L/S 17 | L/S 18 | L/S 15 | L/S 24 | L/S 35 | L/S 36 |
| Standard | | ✓ | ✓ | ✓ | | ✓ | ✓ | ✓ | ✓ | ✓ | ✓ |
| Easy-Load 3 and II | | ✓ | ✓ | ✓ | ✓ | ✓ | ✓ | ✓ | ✓ | ✓ | ✓ |
| Easy-Load | | ✓ | ✓ | ✓ | ✓ | ✓ | ✓ | ✓ | ✓ | | |
| High-Performance | | | | | | | | ✓ | ✓ | ✓ | ✓ |
| Multichannel | ✓ | ✓ | ✓ | ✓ | | | | ✓ | ✓ | ✓ | |
| Multichannel cartridge | ✓ | ✓ | ✓ | ✓ | ✓ | ✓ | | | | | |

A PUMP HEAD FOR EVERY APPLICATION

There are nine styles of Masterflex L/S pump heads offered to meet your specific pumping needs. This selection guide is designed to help you choose the pump head that's right for your application.

TO SELECT A PUMP HEAD, DETERMINE:

1. Flow rate (mL/min).
2. Maximum number of pump heads or flow channels required.
3. Fixed or adjustable occlusion feature.
4. Are corrosive fluids or vapors involved? If so, choose corrosion-resistant PSF, PP, or PPS housing and SS rotor, or a PTFE-tubing pump.

STANDARD PUMP HEAD (pages 40–41)

- Best overall pump head performance
- Each pump head designed for one tube size
- Fixed occlusion set optimally for tube size
- Stack up to 4 heads



EASY-LOAD® 3 PUMP HEAD (pages 42–43)

- Automatic tubing retention speeds tube loading and fluid changeover
- Same side tubing entry/exit for easy integration into space-limited applications
- Twist-lock mounting feature lets you mount and stack heads in seconds without tools or hardware
- Stack up to 4 heads



EASY-LOAD® II PUMP HEAD (pages 44–45)

- Load tubing easily without removing pump head(s) from drive
- Accepts several tubing sizes for a wide flow range
- Fixed and adjustable occlusion models available
- Automatic tubing retention system
- Stack up to 4 heads



EASY-LOAD® PUMP HEAD (pages 46–47)

- Load tubing easily without removing pump head(s) from drive
- Accepts several tubing sizes for a wide flow range
- Fixed occlusion averaged for several tubing sizes
- Stack up to 4 heads
- ATEX Zone 2 rated models available



HIGH-PERFORMANCE PUMP HEAD (pages 48–49)

- Load tubing easily and in a "C" pattern
- Accepts only high-performance precision tubing
- Fixed occlusion averaged for several tubing sizes
- Pressures up to 150 psi with L/S HP tubing
- Not stackable
- ATEX Zone 2 rated models available



PTFE-TUBING PUMP HEAD (pages 50–51)

- PTFE is the only wetted part, allowing you to transfer aggressive organic solvents
- Adjustable occlusion for higher pressure or longer tubing life
- Use with rigid tubing for pressures up to 100 psi
- Pump head uses 4- or 6-mm OD rigid PTFE-tubing sets
- Not stackable



MULTICHANNEL PUMP HEAD (pages 52–55)

- Two-, four, and eight-channel heads are stackable for up to 32 synchronous flow channels
- Models available for microbore or L/S two-stop tube sets
- Two-stop tube sets are easy to load and self retaining with no adjustment
- Durable stainless steel and anodized aluminum construction



MULTICHANNEL CARTRIDGE PUMP HEAD (pages 56–59)

- Tubing cartridges let you load tubing in a snap without removing pump head from drive
- Cartridges accept several tubing sizes for a wide flow range
- Adjustable occlusion for higher pressure or longer tubing life
- Load up to 12 small or 6 large cartridges in one head



PTFE-DIAPHRAGM PUMP HEAD (pages 60–61)

- Designed for demanding chemical compatibility and high-purity applications
- Maintain $\pm 2\%$ repeatability across varying system pressures and fluid viscosities
- Maintain a consistent flow performance up to 75 or 100 psi, depending on pump head



DRIVE COMPATIBILITY

Mount on all drives accepting Masterflex L/S pump heads. Look for these pump head icons on the specific drive pages to ensure compatibility.

EASY-LOAD®
pages 46–47



HIGH-PERFORMANCE
pages 48–49



PTFE-TUBING
pages 50–51



STANDARD
pages 40–41



EASY-LOAD® 3
pages 42–43



EASY-LOAD® II
pages 44–45



MULTICHANNEL
pages 52–55



MULTICHANNEL
CARTRIDGE
pages 56–59



PTFE-DIAPHRAGM
pages 60–61



L/S® STANDARD PUMP HEADS

FEATURES/BENEFITS

- ▶ Ideal for fluid transfer applications where accuracy and repeatability are important
- ▶ Tubing enters/exits on top of pump head
- ▶ Deliver flow rates from 0.06 to 2900 mL/min
- ▶ Precision molded housing and tubing cavity
- ▶ Each pump head is designed for one size of tubing—ensuring optimal occlusion and performance
- ▶ Adapts easily to OEM applications
- ▶ Interchangeable
- ▶ Stackable for multichannel pumping

SELECTION CRITERIA

1. Flow rate/tube size desired.
2. Materials of construction.
3. Compatibility with drives.

See specifications for more information.

Order tubing and drives separately.

COMPATIBILITY WITH DRIVES

- ▶ Mount on all drives accepting Masterflex L/S pump heads

PUMP HOUSING SPECIFICATIONS

Clear Polycarbonate (PC)

- ▶ General-purpose applications
- ▶ Pump head operation visible through housing
- ▶ Select from CRS/Buna N or 300-series SS/PTFE shielded ball-bearing

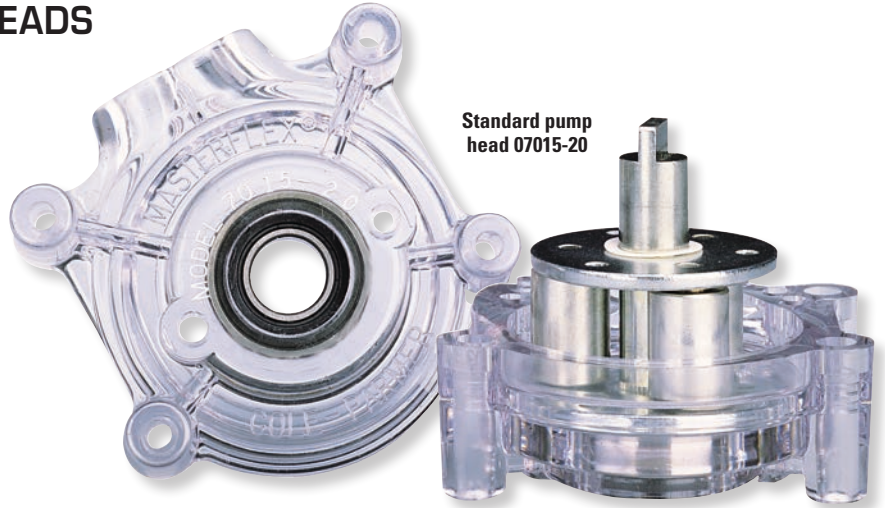
Polyphenylene Sulfide (PPS)

- ▶ Best protection from corrosive liquids/vapors
- ▶ 300-series stainless steel shielded ball-bearing

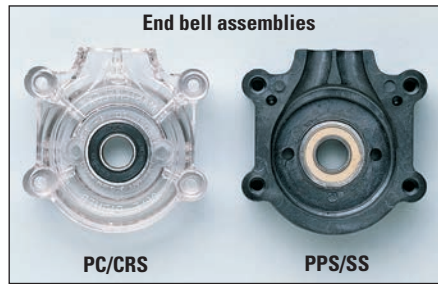
Watch the VIDEO!

Watch video tutorial on how to load Masterflex® L/S® Standard Pump Heads. Go to...

Masterflex.com/video



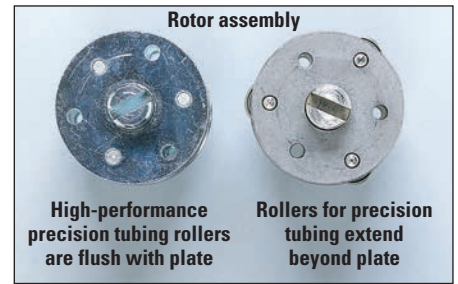
Standard pump head 07015-20



End bell assemblies

PC/CRS

PPS/SS



Rotor assembly

High-performance precision tubing rollers are flush with plate

Rollers for precision tubing extend beyond plate

ROLLER/ROTOR SPECIFICATIONS

Plated Cold-Rolled Steel (CRS)

- ▶ General-purpose applications
- ▶ Ball-bearing construction
- ▶ Continuous duty up to 600 rpm

300-Series Stainless Steel (SS)

- ▶ Corrosive fluids
- ▶ Shielded ball-bearing construction (highest life expectancy)
- ▶ Continuous duty up to 600 rpm

ISO9001:2008
CERTIFIED SUPPLIER

2 year
warranty

ORDERING INFORMATION

| Pump tubing size | PC housing | | PPS housing |
|--|-----------------------------|-----------------------------|-----------------------------|
| | CRS rotor | SS rotor | SS rotor |
| For Precision tubing | | | |
| L/S 13 | HL-07013-20 | HL-07013-21 | HL-07013-52 |
| L/S 14 | HL-07014-20 | HL-07014-21 | HL-07014-52 |
| L/S 16 | HL-07016-20 | HL-07016-21 | HL-07016-52 |
| L/S 17 | HL-07017-20 | HL-07017-21 | HL-07017-52 |
| L/S 18 | HL-07018-20 | HL-07018-21 | HL-07018-52 |
| For High-performance Precision tubing | | | |
| L/S 15 | HL-07015-20 | HL-07015-21 | HL-07015-52 |
| L/S 24 | HL-07024-20 | HL-07024-21 | HL-07024-52 |
| L/S 35 | HL-07035-20 | HL-07035-21 | — |
| L/S 36 | HL-07036-30 | HL-07036-31 | — |

PC = polycarbonate PPS = polyphenylene sulfide
CRS = cold-rolled steel SS = stainless steel

L/S PUMP TUBING FLOW RATE INFORMATION

Order Masterflex L/S pump tubing separately on pages 68–73

| Tubing cross sections | L/S Precision pump tubing | | | | | L/S High-performance Precision pump tubing | | | |
|---------------------------|---|--------|--------|---|------------------|--|---|------------------|------------------|
| | L/S 13 | L/S 14 | L/S 16 | L/S 17 | L/S 18 | L/S 15 | L/S 24 | L/S 35 | L/S 36 |
| Flow rate—mL/rev | 0.06 | 0.21 | 0.8 | 2.8 | 3.8 | 1.7 | 2.8 | 3.8 | 4.8 |
| mL/min @ 600 rpm | 36 | 130 | 480 | 1700 | 2300 | 1000 | 1700 | 2300 | 2900 |
| Max pressure [†] | 2.7 bar (40 psi) | | | 1.4 bar (20 psi) | 1.0 bar (15 psi) | 2.7 bar (40 psi) | | 2.4 bar (35 psi) | 1.4 bar (20 psi) |
| Max vacuum [†] | 660 mm Hg (26" Hg) | | | 510 mm Hg (20" Hg) | | | 660 mm Hg (26" Hg) | | |
| Suction lift | 8.8 m H ₂ O (29 ft H ₂ O) | | | 6.7 m H ₂ O (22 ft H ₂ O) | | | 8.8 m H ₂ O (29 ft H ₂ O) | | |

[†]Actual performance varies depending upon tubing materials—see pages 20–24 and 172–192 for more information.

SPECIFICATIONS for L/S Standard Pump Heads

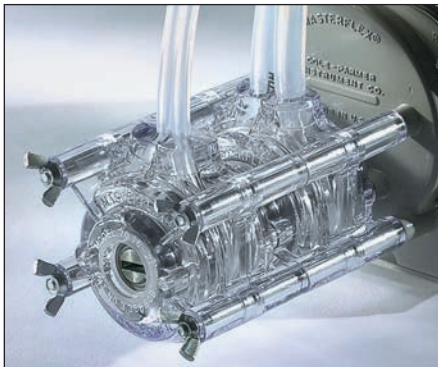
| Catalog number | HL-070XX-20 and -30 Series | HL-070XX-21 and -31 Series | HL-070XX-52 Series |
|--|---|----------------------------|-----------------------|
| Performance Specifications | | | |
| Flow capacity | 0.001 to 2900 mL/min (0 to 46 GPH) [†] | | |
| Max rpm | 600 | | |
| Number of rollers | 3 | | |
| Torque Specifications[‡] [a single head pumping water at 0 psi, 21°C (70°F)] | | | |
| Norprene®, PharMed® BPT | Starting torque | 18.0 kg-cm (250 oz-in) | |
| | Running torque | 5.8 kg-cm (80 oz-in) | |
| Tygon®, Viton® | Starting torque | 27.7 kg-cm (385 oz-in) | |
| | Running torque | 4.6 kg-cm (64 oz-in) | |
| C-FLEX®, Silicone | Starting torque | 5.8 kg-cm (80 oz-in) | |
| | Running torque | 2.2 kg-cm (30 oz-in) | |
| Physical Specifications | | | |
| Housing material | Clear polycarbonate | | Polyphenylene sulfide |
| Rotor material | Cold-rolled steel | Stainless steel | |
| Operating temperature | 0 to 40°C (32 to 104°F) | | |
| Shipping weight | 0.54 kg (1.18 lb) | | |

[†]Depending on pump head selected.

[‡]Actual torque depends on tubing size formulation. For complete torque data, please see pages 172–192.

MULTICHANNEL CAPABILITIES

Mount up to four pump heads depending on the drive. Order hardware based on the number of pump heads to be mounted.



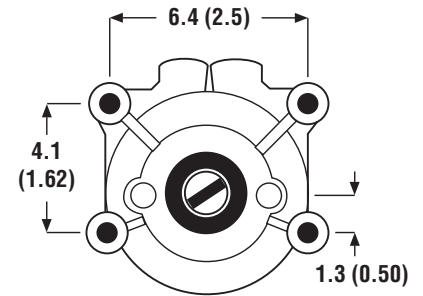
Mounting hardware

MOUNTING HARDWARE

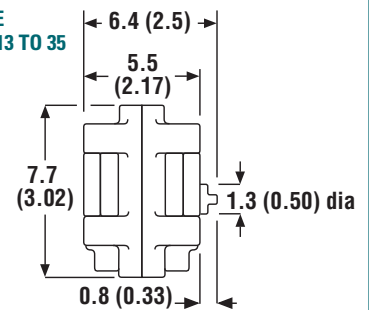
| Heads to be mounted | Catalog number/set |
|---|-----------------------------|
| | Stainless steel |
| L/S 13 to 35 Standard pump heads | |
| One | HL-07013-04 |
| Two | HL-07013-05 |
| Three | HL-07013-08 |
| Four | HL-07013-09 |
| L/S 36 Standard pump head | |
| One | HL-07036-01 |
| Two | HL-07036-02 |

Dimensional Drawings cm (in.) 070XX-series

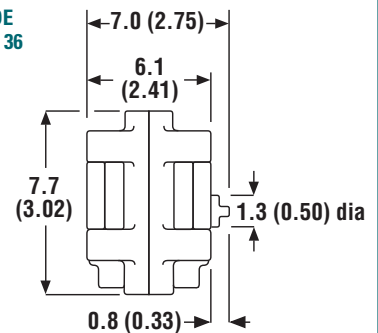
FRONT



SIDE L/S 13 TO 35



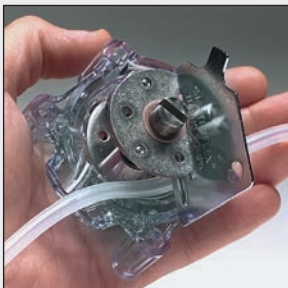
SIDE L/S 36



NOTES

The design of the Standard pump head enables the most precise dispensing accuracy of any Masterflex pump head.

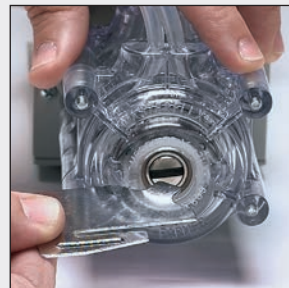
HOW TO LOAD YOUR PUMP HEAD



1. Disassemble pump head. Load tubing.



2. Use the loading key (included) to ensure proper tubing alignment and tension.



3. Reassemble two halves and mount on drive.

L/S® TUBING 68–73
L/S® DRIVES 74–107
L/S® PUMP SYSTEMS..... 108–117

ACCESSORIES..... 160–171

TECHNICAL DATA..... 172–206

L/S® EASY-LOAD® 3 PUMP HEADS

FEATURES/BENEFITS

- ▶ Deliver flow rates from 0.06 to 2900 mL/min
- ▶ Automatic tubing retention speeds tube loading and fluid changeover
- ▶ Same side tubing entry/exit for easy integration into space-limited applications
- ▶ Long occlusion surface prevents fluid backflow
- ▶ Included mounting plate adapts head to L/S drives
- ▶ Mount and operate head in any of four positions
- ▶ Locking tab secures head during operation in either direction of rotation
- ▶ Twist-lock mounting feature lets you mount and stack heads in seconds without tools or hardware
- ▶ Stackable for multiple-channel pumping and increased flow capacity
- ▶ Pump heads accept several tubing sizes

SELECTION CRITERIA

1. Flow rate/tube size desired.
2. Materials of construction (rotor).
3. Compatibility with drives.

Silicone tubing (43 cm or 17") and mounting plate/adaptor supplied.

See specifications for more information.

Order tubing and drives separately.

COMPATIBILITY WITH DRIVES

- ▶ Mount on all drives accepting Masterflex L/S pump heads

NOTES

Use only Masterflex pump tubing with Masterflex pumps to ensure optimal performance. Use of other tubing may void applicable warranties.

PUMP HOUSING SPECIFICATIONS

Polypropylene (PP)

- ▶ General-purpose applications
- ▶ Good protection from corrosive liquids/vapors
- ▶ Select from CRS/Buna N or 400-series SS/PTFE shielded ball bearing

ROLLER/ROTOR SPECIFICATIONS

Plated Cold-Rolled Steel (CRS)

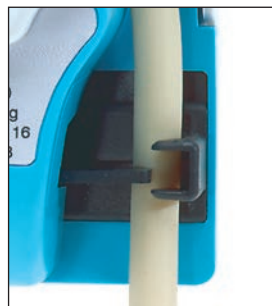
- ▶ General-purpose applications
- ▶ Humidity: 0 to 90%
- ▶ Ball-bearing construction
- ▶ Continuous duty up to 600 rpm
- ▶ Precision and high-performance precision tubing versions

300-Series Stainless Steel (SS)

- ▶ Corrosive fluids
- ▶ Humidity: 0 to 90%
- ▶ PTFE shielded ball-bearing construction (highest life expectancy)
- ▶ Continuous duty up to 600 rpm
- ▶ Precision and high-performance precision tubing versions

MULTICHANNEL CAPABILITIES

- ▶ Mount up to four Easy-Load 3 pump heads on a single drive without tools or hardware



Tubing retainers automatically stretch and grip tubing when head is closed.

ORDERING INFORMATION

| Pump tubing size | PP housing | |
|--|-----------------------------|-----------------------------|
| | CRS rotor | SS rotor |
| For Precision tubing | | |
| L/S 13 | | |
| L/S 14 | | |
| L/S 16 | HL-77800-50 | HL-77800-60 |
| L/S 25 | | |
| L/S 17 | | |
| L/S 18 | | |
| For High-performance precision tubing | | |
| L/S 15 | | |
| L/S 24 | HL-77800-52 | HL-77800-62 |
| L/S 35 | | |
| L/S 36 | | |

PP = polypropylene CRS = cold-rolled steel
SS = stainless steel

L/S PUMP TUBING FLOW RATE INFORMATION

Order Masterflex L/S pump tubing separately on pages 68–73.

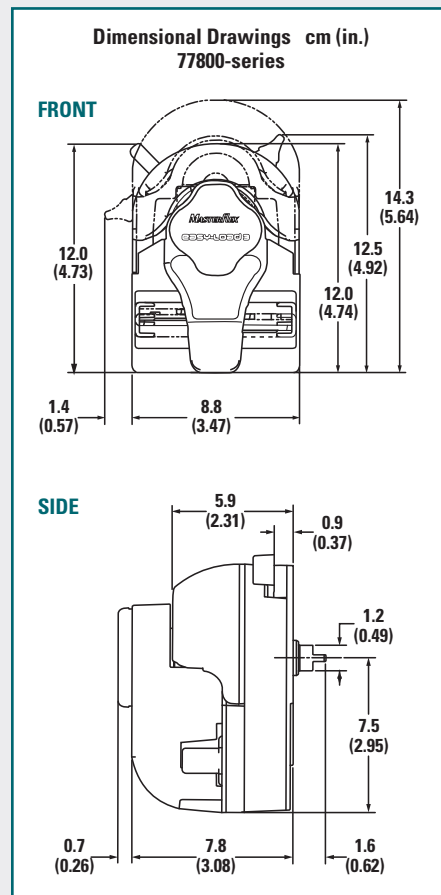
| Tubing cross sections | L/S Precision pump tubing | | | | | | L/S High-performance Precision pump tubing | | | |
|-----------------------|---|--------|--------|------------------|---|------------------|---|--------|------------------|------------------|
| | L/S 13 | L/S 14 | L/S 16 | L/S 25 | L/S 17 | L/S 18 | L/S 15 | L/S 24 | L/S 35 | L/S 36 |
| Flow rate—mL/rev | 0.06 | 0.21 | 0.8 | 1.7 | 2.8 | 3.8 | 1.7 | 2.8 | 3.8 | 4.8 |
| mL/min @ 600 rpm | 36 | 130 | 480 | 1000 | 1700 | 2300 | 1000 | 1700 | 2300 | 2900 |
| Max pressure† | 2.7 bar (40 psi) | | | 2.4 bar (35 psi) | 1.4 bar (20 psi) | 1.0 bar (15 psi) | 2.0 bar (30 psi) | | 1.7 bar (25 psi) | 1.4 bar (20 psi) |
| Max vacuum† | 660 mm Hg (26" Hg) | | | | 510 mm Hg (20" Hg) | | 660 mm Hg (26" Hg) | | | |
| Suction lift | 8.8 m H ₂ O (29 ft H ₂ O) | | | | 6.7 m H ₂ O (22 ft H ₂ O) | | 8.8 m H ₂ O (29 ft H ₂ O) | | | |

†Actual performance varies depending upon tubing materials—see pages 20–24 and 172–192 for more information.

SPECIFICATIONS for L/S Easy-Load 3 Pump Heads

| | | |
|--|--|--|
| Catalog number | HL-77800-50 HL-77800-52 | HL-77800-60 HL-77800-62 |
| Performance Specifications | | |
| Flow capacity | 0.001 to 2900 mL/min (0.19 to 45.8 GPH) [†] | |
| Max rpm | 600 | |
| Number of rollers | 3 | |
| Torque Specifications [a single head pumping water at 0 psi, 21.1°C (70°F)][‡] | | |
| Norprene®, PharMed® BPT | Starting torque | 9.4 kg-cm (130 oz-in) |
| | Running torque | 2.2 kg-cm (30 oz-in) |
| Tygon®, Viton® | Starting torque | 15.8 kg-cm (220 oz-in) |
| | Running torque | 3.6 kg-cm (50 oz-in) |
| C-FLEX®, Silicone | Starting torque | 4.7 kg-cm (65 oz-in) |
| | Running torque | 2.9 kg-cm (40 oz-in) |
| Physical Specifications | | |
| Housing material | Polypropylene | |
| Rotor material | Cold-rolled steel | Stainless steel |
| Operating temperature | 0 to 40°C (32 to 104°F) | |
| Shipping weight | 0.9 kg (1.9 lb) | |

[†]Depending on pump head and tubing selected. [‡]Maximum torque depends on tubing size.



Mounting Your Pump Head



Attach mounting plate to your L/S drive.



Twist and lock Easy-Load 3 pump head onto mounting plate.

Stacking Your Pump Head



For multiple-channel applications, simply remove the front cover and . . .



Stack pump heads up to the limits of your drive.

HOW TO LOAD YOUR PUMP HEAD



1. With head on drive, rotate activator lever counter-clockwise to open occlusion bed and tubing retainers.



2. Place tubing over rollers and through retainers.



3. Rotate activator lever clockwise to close occlusion bed and retainers.

FREE TUBING TEST KIT!

Can't find your chemical in the tables?

Request your FREE tubing kit to test compatibility of your chemicals against different tubing formulations. Request item HL-00101-10.

Call or go online to request your FREE test kit today!



L/S® TUBING 68–73
L/S® DRIVES 74–107
L/S® PUMP SYSTEMS..... 108–117

ACCESSORIES 160–171

TECHNICAL DATA 172–206

L/S® EASY-LOAD® II PUMP HEADS

FEATURES/BENEFITS

- ▶ Deliver flow rates from 0.001 to 2900 mL/min
- ▶ Four-roller design improves pressure performance, stability, and reduces pulsation
- ▶ Improved occlusion bed geometry reduces tubing wear, lengthens tubing life
- ▶ Over-center cam for quick tubing changes
- ▶ Adjustable and fixed occlusion available
- ▶ Adapts easily to OEM applications
- ▶ Stackable for multichannel pumping
- ▶ Automatic tubing retention eliminates manual adjustments
- ▶ Pump head accepts several tubing sizes

SELECTION CRITERIA

1. Flow rate/tube size desired.
 2. Materials of construction (rotor).
 3. Compatibility with drives.
 4. Adjustable or fixed occlusion.
- ▶ 38 cm (15") of silicone tubing and single-channel mounting hardware supplied.
- See specifications for more information.
Order tubing and drives separately.

COMPATIBILITY WITH DRIVES

- ▶ Mount on most drives accepting Masterflex L/S pump heads

PUMP HOUSING SPECIFICATIONS

Polyphenylene Sulfide (PPS)

- ▶ Best protection from corrosive liquids/vapors
- ▶ Nylon tubing retainers
- ▶ Select from CRS/Buna N or 400-series SS/PTFE shielded ball-bearing

FIXED/ADJUSTABLE OCCLUSION

Fixed Occlusion

- ▶ High flow rates at an economical price
- ▶ Factory calibrated for nominal occlusion

Adjustable Occlusion

- ▶ Increase occlusion to maximize pressure performance and obtain better suction lift
- ▶ Reduce occlusion to extend tubing life

ROLLER/ROTOR SPECIFICATIONS

Plated Cold-Rolled Steel (CRS)

- ▶ General-purpose applications
- ▶ Humidity: 0 to 90%
- ▶ Ball-bearing construction
- ▶ Continuous duty up to 600 rpm
- ▶ Precision and High-performance precision tubing versions

300-Series Stainless Steel (SS)

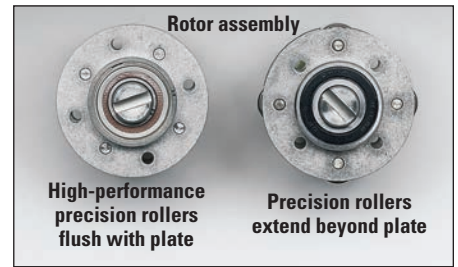
- ▶ Corrosive fluids
- ▶ Humidity: 0% to 90%
- ▶ PTFE shielded ball-bearing (highest life expectancy)
- ▶ Continuous duty up to 600 rpm
- ▶ Precision and High-performance precision tubing versions

MULTICHANNEL CAPABILITIES

- ▶ Mount up to four Easy-Load II pump heads on a single drive
- ▶ Order hardware depending on number of pump heads to be mounted



Easy-Load II fixed occlusion pump head 77200-62



ISO9001:2008 CERTIFIED SUPPLIER **2** year warranty

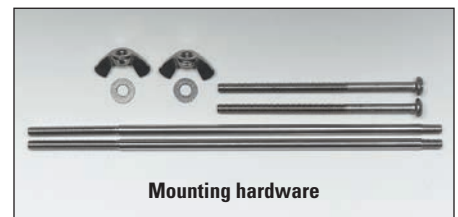
ORDERING INFORMATION

| Pump tubing size | Fixed occlusion | | Adjustable occlusion |
|--|-----------------------------|-----------------------------|-----------------------------|
| | CRS rotor | SS rotor | SS rotor |
| For Precision tubing | | | |
| L/S 13 | | | |
| L/S 14 | | | |
| L/S 16 | HL-77200-50 | HL-77200-60 | HL-77201-60 |
| L/S 25 | | | |
| L/S 17 | | | |
| L/S 18 | | | |
| For High-performance precision tubing | | | |
| L/S 15 | | | |
| L/S 24 | HL-77200-52 | HL-77200-62 | HL-77201-62 |
| L/S 35 | | | |
| L/S 36 | | | |

CRS = cold-rolled steel SS = stainless steel

MOUNTING HARDWARE

| Heads to be mounted | Catalog number/set |
|---------------------|-----------------------------|
| | Stainless steel |
| One | HL-77200-01 |
| Two | HL-77200-02 |
| Three | HL-77200-03 |
| Four | HL-77200-04 |



Mounting hardware

L/S PUMP TUBING FLOW RATE INFORMATION

Order Masterflex L/S pump tubing separately on pages 68–73.

| Tubing cross sections | L/S Precision pump tubing | | | | | | L/S High-performance Precision pump tubing | | | |
|-----------------------|---|--------|--------|---|------------------|------------------|---|--------|------------------|------------------|
| | L/S 13 | L/S 14 | L/S 16 | L/S 25 | L/S 17 | L/S 18 | L/S 15 | L/S 24 | L/S 35 | L/S 36 |
| Flow rate—mL/rev | 0.06 | 0.21 | 0.8 | 1.7 | 2.8 | 3.8 | 1.7 | 2.8 | 3.8 | 4.8 |
| mL/min @ 600 rpm | 36 | 130 | 480 | 1000 | 1700 | 2300 | 1000 | 1700 | 2300 | 2900 |
| Max pressure† | 2.7 bar (40 psi) | | | 2.4 bar (35 psi) | 1.4 bar (20 psi) | 1.0 bar (15 psi) | 2.7 bar (40 psi) | | 2.4 bar (35 psi) | 1.4 bar (20 psi) |
| Max vacuum† | 660 mm Hg (26" Hg) | | | 510 mm Hg (20" Hg) | | | 660 mm Hg (26" Hg) | | | |
| Suction lift | 8.8 m H ₂ O (29 ft H ₂ O) | | | 6.7 m H ₂ O (22 ft H ₂ O) | | | 8.8 m H ₂ O (29 ft H ₂ O) | | | |

†Actual performance varies depending upon tubing materials—see pages 20–24 and 172–192 for more information.



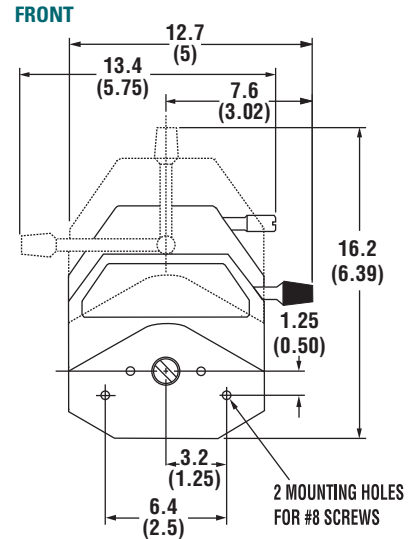
SPECIFICATIONS for L/S Easy-Load II Pump Heads

| | | | |
|---|--|--|--|
| Catalog number | HL-77200-50 HL-77200-52 | HL-77200-60 HL-77200-62 | HL-77201-60 HL-77201-62 |
| Performance Specifications | | | |
| Flow capacity | 0.001 to 2900 mL/min (9.48 to 45.82 GPH) [†] | | |
| Max rpm | 600 | | |
| Number of rollers | 4 | | |
| Torque Specifications* [a single head pumping water at 0 psi, 21°C (70°F)] | | | |
| Norprene®, PharMed® BPT | Starting torque | 12.9 kg-cm (180 oz-in) | |
| | Running torque | 3.6 kg-cm (50 oz-in) | |
| Tygon®, Viton® | Starting torque | 21.2 kg-cm (295 oz-in) | |
| | Running torque | 4.3 kg-cm (60 oz-in) | |
| C-FLEX®, Silicone | Starting torque | 5.8 kg-cm (80 oz-in) | |
| | Running torque | 2.2 kg-cm (30 oz-in) | |
| Physical Specifications | | | |
| Housing material | Polyphenylene sulfide | | |
| Rotor material | Cold-rolled steel | Stainless steel | |
| Operating temperature | 0 to 40°C (32 to 104°F) | | |
| Shipping weight | 0.9 kg (1.9 lb) | | |

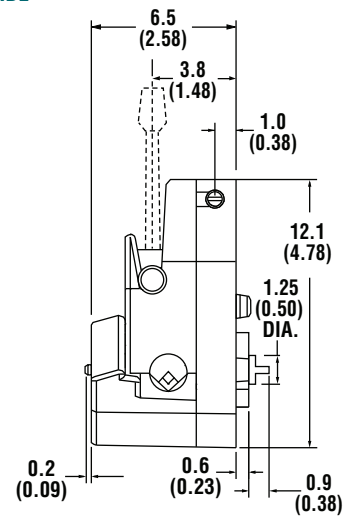
[†]Depending on pump head and tubing selected.

*Maximum torque depends on tubing size. For complete torque data, see pages 172–192.

Dimensional Drawings cm (in.) 77200-series, 77201-series, and 77202-series



SIDE



L/S EASY-LOAD II TWO-CHANNEL PUMP HEADS

Identical to our Easy-Load II pump heads—except with two flow channels. Pump two channels simultaneously from one head (you must use the same size tubing in each channel), eliminating the need to stack heads. Each pump head accepts L/S 13, L/S 14, L/S 16, and L/S 25 tubing sizes in any formulation. Mount up to four two-channel pump heads on a single drive.

ORDERING INFORMATION

| Pump tubing size | mL per rev | Flow rates in mL/min at noted rpm (per channel) | | Fixed occlusion | |
|------------------|------------|---|------------|-----------------------------|-----------------------------|
| | | 1 to 100 | 6 to 600 | CRS rotor | SS rotor |
| L/S 13 | 0.06 | 0.06 to 6 | 0.36 to 36 | HL-77202-50 | HL-77202-60 |
| L/S 14 | 0.21 | 0.21 to 21 | 1.3 to 130 | | |
| L/S 16 | 0.8 | 0.8 to 80 | 4.8 to 480 | | |
| L/S 25 | 1.7 | 1.7 to 170 | 10 to 1000 | | |

CRS = cold-rolled steel SS = stainless steel



HOW TO LOAD YOUR PUMP HEAD



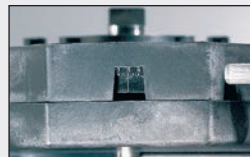
1. Rotate lever to left to open pump head. Load the correct size tubing.



2. Move lever to the right to close pump head.



3. Tubing is retained by automatic tubing retention on all models.



3. Adjustable occlusion available on 77201-60 and -62 models.

NOTES

Use only Masterflex pump tubing with Masterflex pumps to ensure optimal performance. Use of other tubing may void applicable warranties.

L/S® TUBING 68–73
L/S® DRIVES 74–107
L/S® PUMP SYSTEMS..... 108–117

ACCESSORIES..... 160–171

TECHNICAL DATA..... 172–206

L/S® EASY-LOAD® PUMP HEADS

FEATURES/BENEFITS

- ▶ Over-center cam design for fast tubing changes
- ▶ Deliver flow rates from 0.001 to 2300 mL/min
- ▶ Proprietary design and adjustable tubing retention feature
- ▶ Fixed occlusion for good flow repeatability
- ▶ Adapts easily to OEM applications
- ▶ Interchangeable
- ▶ Multichannel pumping
- ▶ Accepts several tubing sizes
- ▶ Models 07518-40 and 07518-42 are ATEX Zone 2 rated EEx II 3 G c IIC T6; NEC rated for Class I Division 2 Groups A, B, C, D T6

SELECTION CRITERIA

1. Flow rate desired.
 2. Tubing size needed.
 3. Materials of construction (housing, rotor).
 4. Compatibility with drives.
- ▶ 38 cm (15") of silicone tubing and single-channel mounting hardware are supplied
See specifications for more information.

Order tubing and drives separately.

COMPATIBILITY WITH DRIVES

- ▶ Mount on all drives accepting Masterflex L/S pump heads

PUMP HOUSING SPECIFICATIONS

Polysulfone (PSF)

- ▶ General-purpose applications
- ▶ Select from CRS or 300-series SS/PTFE shielded ball-bearing

Polyphenylene Sulfide (PPS)

- ▶ Best protection from corrosive liquids/vapors
- ▶ 300-series SS/PTFE shielded ball-bearing



Pump head 07518-00 with polysulfone housing



Pump head 07518-60 with polyphenylene sulfide housing

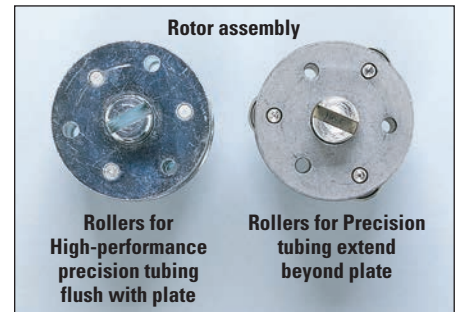
ROLLER/ROTOR SPECIFICATIONS

Plated Cold-Rolled Steel (CRS)

- ▶ General-purpose applications
- ▶ Continuous duty up to 600 rpm
- ▶ Precision and High-performance precision versions

300-Series Stainless Steel (SS)

- ▶ Corrosive fluids
- ▶ PTFE shielded ball-bearing (highest life expectancy)
- ▶ Continuous duty up to 600 rpm
- ▶ Precision and High-performance precision versions



Rotor assembly

Rollers for High-performance precision tubing flush with plate

Rollers for Precision tubing extend beyond plate

ISO 9001:2008
CERTIFIED SUPPLIER

2 year
warranty

ATEX
Zone 2
07518-40, -42

ORDERING INFORMATION

| Pump tubing size | PSF housing | | PPS housing | ATEX-approved PSF housing |
|------------------|-------------|----------|-------------|---------------------------|
| | CRS rotor | SS rotor | SS rotor | SS rotor |

For Precision tubing

| | | | | |
|--------|-----------------------------|-----------------------------|-----------------------------|-----------------------------|
| L/S 13 | | | | |
| L/S 14 | | | | |
| L/S 16 | HL-07518-00 | HL-07518-10 | HL-07518-60 | HL-07518-40 |
| L/S 25 | | | | |
| L/S 17 | | | | |
| L/S 18 | | | | |

For High-performance precision tubing

| | | | | |
|--------|-----------------------------|-----------------------------|-----------------------------|-----------------------------|
| L/S 15 | HL-07518-02 | HL-07518-12 | HL-07518-62 | HL-07518-42 |
| L/S 24 | | | | |

PSF= polysulfone PPS = polyphenylene sulfide
CRS = cold-rolled steel SS = stainless steel

L/S PUMP TUBING FLOW RATE INFORMATION

Order Masterflex L/S pump tubing separately on pages 68–73.

| Tubing cross sections | L/S Precision pump tubing | | | | | | L/S High-performance Precision pump tubing | |
|-----------------------|---|--------|--------|------------------|------------------|------------------|--|--------|
| | L/S 13 | L/S 14 | L/S 16 | L/S 25 | L/S 17 | L/S 18 | L/S 15 | L/S 24 |
| Flow rate—mL/rev | 0.06 | 0.21 | 0.8 | 1.92 | 2.8 | 3.8 | 1.7 | 2.8 |
| mL/min @ 600 rpm | 36 | 130 | 480 | 1150 | 1700 | 2300 | 1000 | 1700 |
| Max pressure† | 2.7 bar (40 psi) | | | 2.4 bar (35 psi) | 1.4 bar (20 psi) | 1.0 bar (15 psi) | 2.7 bar (40 psi) | |
| Max vacuum† | 610 mm Hg (24" Hg) | | | | | | | |
| Suction lift | 8.2 m H ₂ O (26.8 ft H ₂ O) | | | | | | | |

†Actual performance varies depending upon tubing materials—see pages 20–24 and 172–192 for more information.



SPECIFICATIONS for L/S Easy-Load Pump Heads

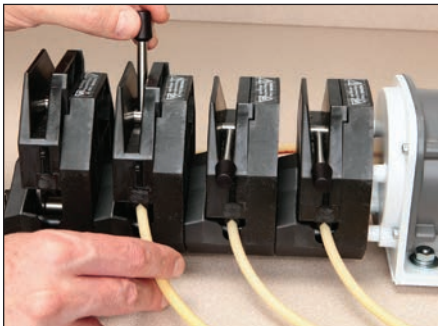
| | | | |
|---|--|--|--|
| Catalog number | HL-07518-00 HL-07518-02 | HL-07518-10 HL-07518-12 HL-07518-40 HL-07518-42 | HL-07518-60 HL-07518-62 |
| Performance Specifications | | | |
| Flow capacity | 0.001 to 2300 mL/min (0 to 36 GPH) [†] | | |
| Max rpm | 600 | | |
| Number of rollers | 3 | | |
| Torque Specifications[‡] [a single pump head pumping water at 0 psi, 21°C (70°F)] | | | |
| Norprene®, Pharmed® BPT | Starting torque | 8.6 kg-cm (120 oz-in) | |
| | Running torque | 1.5 kg-cm (21 oz-in) | |
| Tygon®, Viton® | Starting torque | 13.0 kg-cm (180 oz-in) | |
| | Running torque | 2.5 kg-cm (35 oz-in) | |
| C-FLEX®, Silicone | Starting torque | 5.0 kg-cm (70 oz-in) | |
| | Running torque | 1.0 kg-cm (14 oz-in) | |
| Physical Specifications | | | |
| Housing material | Polysulfone | | Polyphenylene sulfide |
| Rotor material | Cold-rolled steel | Stainless steel | |
| Operating temperature | 0 to 40°C (32 to 104°F) | | |
| Shipping weight | 0.9 kg (1.9 lb) | | |

[†]Depending on pump head selected.

[‡]Actual torque depends on tubing size and formulation. For complete torque data, please see pages 172–192.

MULTICHANNEL CAPABILITIES

- Mount up to four Easy-Load pump heads on a single drive depending on drive specifications.
- Order hardware based on number of pump heads to be mounted.



With single or multiple channels, you can change tubing in each channel without removing the Easy-Load pump head(s) from your drive.

MOUNTING HARDWARE

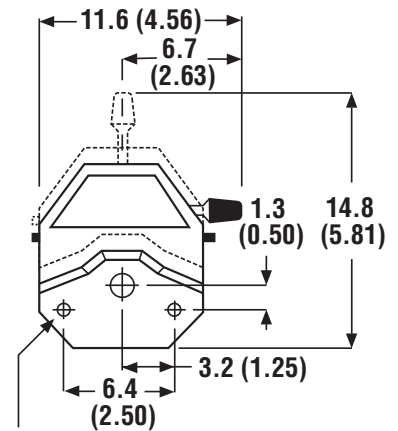
| Heads to be mounted | Catalog number/set |
|---------------------|-----------------------------|
| | Stainless steel |
| One | HL-07013-04 |
| Two | HL-07013-05 |
| Three | HL-07013-08 |
| Four | HL-07013-09 |



Mounting hardware
07013-04 (one) and 07013-05 (two channel)

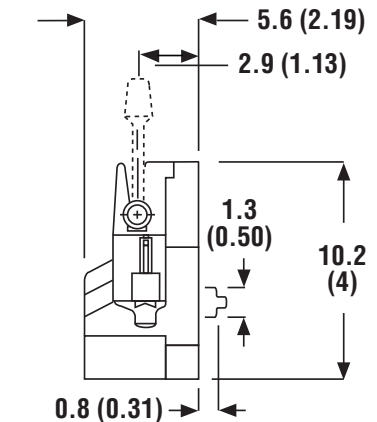
Dimensional Drawings cm (in.) 07518-series

FRONT



Mounting holes for #8 screws

SIDE



NOTES

Use only Masterflex pump tubing with Masterflex pumps to ensure optimal performance. Use of other tubing may void applicable warranties.

HOW TO LOAD YOUR PUMP HEAD



1. Rotate lever to left to open head. Load tubing.



2. Close head. Adjust side tubing retainers to hold tubing.

L/S® TUBING 68–73
L/S® DRIVES 74–107
L/S® PUMP SYSTEMS..... 108–117

ACCESSORIES..... 160–171

TECHNICAL DATA..... 172–206

L/S® HIGH-PERFORMANCE PUMP HEADS

FEATURES/BENEFITS

- Delivers the highest flow rate of any L/S pump head
- Flow rates from 0.006 to 3400 mL/min
- To fit application needs, pump head can be mounted upright or on its side
- Tubing enters/exits same side of pump head
- Adjustable tubing retention holds tubing firmly in place
- Ideal for viscous fluid transfer
- Adapts easily to OEM applications
- Model 77250-82 is ATEX Zone 2 rated EEx II 3 G c IIC T6; NEC rated for Class I Division 2 Groups A, B, C, D T6

SELECTION CRITERIA

- Flow rate/tube size desired.
 - Materials of construction.
 - Compatibility with drives.
- 38 cm (15") of E-LFL tubing and mounting hardware are supplied
- See specifications for more information.

Order tubing and drives separately.

COMPATIBILITY WITH DRIVES

- Compatible with all Masterflex L/S drives that accept two or more pump heads

PUMP HOUSING SPECIFICATIONS

- Rollers, bearings, rotor plates, and rotor shaft are made of stainless steel
- Occlusion bed: polyphenylene sulfide
- Retainer adjusting knob: polypropylene
- Main body: polyester

ROLLER/ROTOR SPECIFICATIONS

Stainless Steel (SS)

- Operating temperatures from 0 to 40°C (32 to 104°F)
- Storage temperature range: -40 to 60°C (-40 to 140°F)
- Humidity: 95% maximum, 5% minimum (noncondensing)
- Continuous duty up to 600 rpm



High-performance pump head 77250-62



High-performance pump head 77250-62 shown mounted on an L/S modular drive 07557-00

ISO9001:2008 CERTIFIED SUPPLIER

2 year warranty

ATEX Zone 2 77250-82

ORDERING INFORMATION

| Pump tubing size | High-Performance pump head | ATEX-approved High-Performance pump head |
|--|-----------------------------|--|
| L/S 15 L/S 24 L/S 35 L/S 36 | HL-77250-62 | HL-77250-82 |
| L/S 14HP L/S 16HP L/S 15HP L/S 24HP | | |

MULTICHANNEL CAPABILITIES

- L/S High-Performance pump heads are not designed to be stacked

SEE PAGE 117

For Masterflex 100 psi high-pressure pump system.

L/S PUMP TUBING FLOW RATE INFORMATION

Order Masterflex L/S pump tubing separately on pages 68–73; order high-pressure tubing on facing page.

| Tubing cross sections | L/S High-performance Precision pump tubing | | | | L/S High-pressure Precision pump tubing | | | |
|-----------------------|---|--------|------------------|---|---|-------------------|-------------------|------------------|
| | L/S 15 | L/S 24 | L/S 35 | L/S 36 | L/S 14HP | L/S 16HP | L/S 15HP | L/S 24HP |
| Flow rate—mL/rev | 1.8 | 3.0 | 4.3 | 5.8 | 0.3 | 0.9 | 1.7 | 2.4 |
| mL/min @ 100 rpm | 180 | 300 | 430 | 580 | 30 | 90 | 170 | 240 |
| mL/min @ 600 rpm | 1100 | 1800 | 2600 | 3400 | Not recommended | | Not recommended | |
| Max pressure† | 2.7 bar (40 psi) | | 2.4 bar (35 psi) | 1.4 bar (20 psi) | 10.2 bar (150 psi) | 8.5 bar (125 psi) | 6.8 bar (100 psi) | 5.5 bar (80 psi) |
| Max vacuum† | 660 mm Hg (26" Hg) | | | 610 mm Hg (24" Hg) | 660 mm Hg (26" Hg) | | | |
| Suction lift | 8.8 m H ₂ O (29 ft H ₂ O) | | | 8.3 m H ₂ O (27 ft H ₂ O) | 8.8 m H ₂ O (29 ft H ₂ O) | | | |

†Actual performance varies depending upon tubing materials—see pages 20–24 and 172–192 for more information.



SPECIFICATIONS for L/S High-Performance Pump Heads

| | | |
|---|---|------------------------|
| Catalog number | HL-77250-62 , HL-77250-82 | |
| Performance Specifications | | |
| Flow capacity | 0.006 to 3400 mL/min (0 to 54 GPH) | |
| Max rpm | 600 | |
| Number of rollers | 3 | |
| Torque Specifications [pumping water at 0 psi, 21°C (70°F)]† | | |
| Norprene®, PharMed® BPT | Starting torque | 13.8 kg-cm (192 oz-in) |
| | Running torque | 3.6 kg-cm (50 oz-in) |
| Tygon®, Viton® | Starting torque | 11.5 kg-cm (160 oz-in) |
| | Running torque | 5.4 kg-cm (75 oz-in) |
| C-FLEX®, Silicone | Starting torque | 5.4 kg-cm (75 oz-in) |
| | Running torque | 2.7 kg-cm (37 oz-in) |
| Norprene® HP, PharMed® BPT HP | Starting torque | 43.9 kg-cm (610 oz-in) |
| | Running torque | 7.2 kg-cm (100 oz-in) |
| Physical Specifications | | |
| Roller, bearings, rotor plates, and rotor shaft materials | Stainless steel | |
| Operating temperature | 0 to 40°C (32 to 104°F) | |
| Shipping weight | 1.6 kg (3.5 lb) | |

†For L/S 36 tubing.

ACCESSORIES

[HL-77250-01](#) Replacement mounting hardware, stainless steel.



NOTES

Use only Masterflex pump tubing with Masterflex pumps to ensure optimal performance. Use of other tubing may void applicable warranties.

ORDERING INFORMATION for L/S High-Pressure Pump Tubing

| Tubing size | Catalog number | Tubing ID | Flow range (1 to 100 rpm) | Maximum pressure (continuous) | Length/pk |
|--------------------|-----------------------------|-----------|---------------------------|-------------------------------|---------------|
| PharMed BPT | | | | | |
| L/S 14HP | HL-95664-14 | 1/16" | 0.3 to 30 mL/min | 10.2 bar (150 psi) | 7.6 m (25 ft) |
| L/S 16HP | HL-95664-16 | 1/8" | 0.9 to 90 mL/min | 8.5 bar (125 psi) | |
| L/S 15HP | HL-95664-15 | 3/16" | 1.7 to 170 mL/min | 6.8 bar (100 psi) | |
| L/S 24HP | HL-95664-24 | 1/4" | 2.4 to 240 mL/min | 5.5 bar (80 psi) | |
| Norprene | | | | | |
| L/S 16HP | HL-06504-16 | 1/8" | 0.9 to 90 mL/min | 8.5 bar (125 psig) | 7.6 m (25 ft) |
| L/S 15HP | HL-06504-15 | 3/16" | 1.7 to 170 mL/min | 6.8 bar (100 psig) | |

HOW TO LOAD YOUR PUMP HEAD



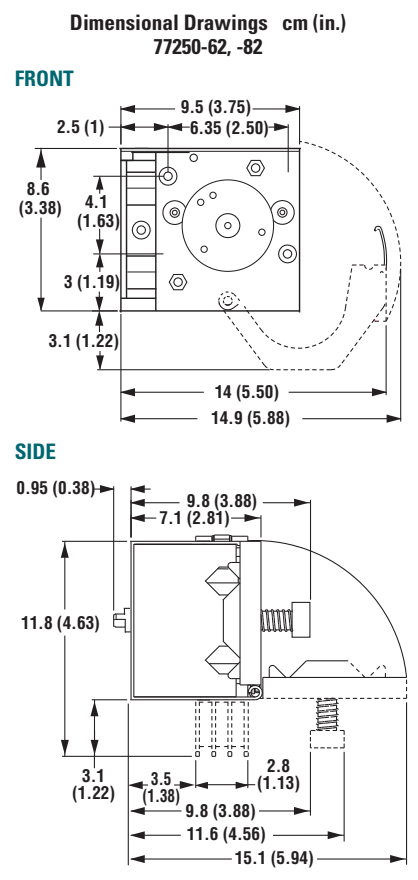
1. Rotate tubing retainer knob counter-clockwise to release retainer, then open cover. Lift latch to open occlusion bed.



2. Insert tubing into occlusion bed, so that the tubing ends extend out of the tubing entrance and exit as shown.



3. Press occlusion bed against tubing and snap latch closed. Pull the tubing snug around rotor, close cover, and rotate tubing retainer knob clockwise. Tighten tubing retainer knob to secure tubing.



FREE TUBING TEST KIT!

Can't find your chemical in the tables?

Request your FREE tubing kit to test compatibility of your chemicals against different tubing formulations. Request item HL-00101-10.

Call or go online to request your FREE test kit today!



L/S® TUBING 68-73
L/S® DRIVES 74-107
L/S® PUMP SYSTEMS..... 108-117

ACCESSORIES..... 160-171

TECHNICAL DATA..... 172-206

L/S® PTFE-TUBING PUMP HEAD

FEATURES/BENEFITS

- ▶ Flow range: 0.06 to 65 mL/min
- ▶ Transfer aggressive organic solvents and maintain fluid purity
- ▶ Transfer liquid containing small particulates
- ▶ Excellent chemical compatibility
- ▶ Deliver a wide range of flow rates at pressures up to 100 psi
- ▶ Adjustable occlusion
- ▶ Use precision-molded tubing sets

SELECTION CRITERIA

- ▶ Flow rate desired.
 - ▶ Tube size required.
 - ▶ Compatibility with drives.
- See specifications for more information.

Order tubing and drives separately.

COMPATIBILITY WITH DRIVES

- ▶ Mount on all Masterflex L/S drives that accept two or more pump heads

PUMP HOUSING SPECIFICATIONS

- ▶ Pump body, bearing support, and rotor plates are anodized aluminum
- ▶ Rotor shaft, bearing, rollers, and hardware are stainless steel
- ▶ Occlusion bed: acetal
- ▶ ABS plastic occlusion knob

NOTES

Use only Masterflex PTFE-tubing sets with the Masterflex PTFE-tubing pump head to ensure optimal performance. Use of other tubing may void applicable warranties.

ROLLER/ROTOR SPECIFICATIONS

300-Series Stainless Steel (SS)

- ▶ Humidity from 0% to 100%
- ▶ Operating temperature from 0 to 40°C (32 to 104°F)
- ▶ Fluid temperature from 0 to 100°C (32 to 212°F)
- ▶ Ball-bearing construction
- ▶ Continuous duty up to 300 rpm



PTFE-tubing pump head 77390-00



PTFE tubing pump head 77390-00 shown on L/S variable-speed console drive 07528-20 is ideal for transferring aggressive organic solvents.

ISO9001:2008
CERTIFIED SUPPLIER

2 year
warranty

ORDERING INFORMATION

| Catalog number | Description |
|-----------------------------|--------------------------------|
| HL-77390-00 | L/S PTFE-tubing pump head only |

PTFE-TUBING SETS AND ACCESSORIES

PTFE-Tubing Sets include two 38 cm (15") lengths and cannot be substituted with ordinary PTFE tubing. Choose compression fittings below to adapt tubing sets to your system.

[HL-77390-50](#) PTFE-tubing set, 4-mm OD, 2-mm ID. Set of two 38-m (15") lengths.

[HL-77390-60](#) PTFE-tubing set, 6-mm OD, 4-mm ID. Set of two 38-m (15") lengths.

For 4-mm OD PTFE-Tubing Sets

[HL-31321-61](#) Straight connector, 2.8 bar (40 psi) max pressure

[HL-31321-62](#) Male pipe adapter with 1/8" NPT(M) connection

[HL-31321-63](#) Male pipe adapter with 1/4" NPT(M) connection

[HL-06605-53](#) PTFE extension tubing, 4-mm OD. Pack of 7.6 m (25 ft)

For 6-mm OD PTFE-Tubing Sets

[HL-31321-64](#) Straight connector, 9.2 bar (135 psi) max pressure

[HL-31321-43](#) Male pipe adapter with 1/4" NPT(M) connection

[HL-06605-54](#) PTFE extension tubing, 6-mm OD. Pack of 7.6 m (25 ft)

[HL-31321-49](#) Tubing grooving tool. Use when connections must withstand 40 psi (2.8 bar) or greater

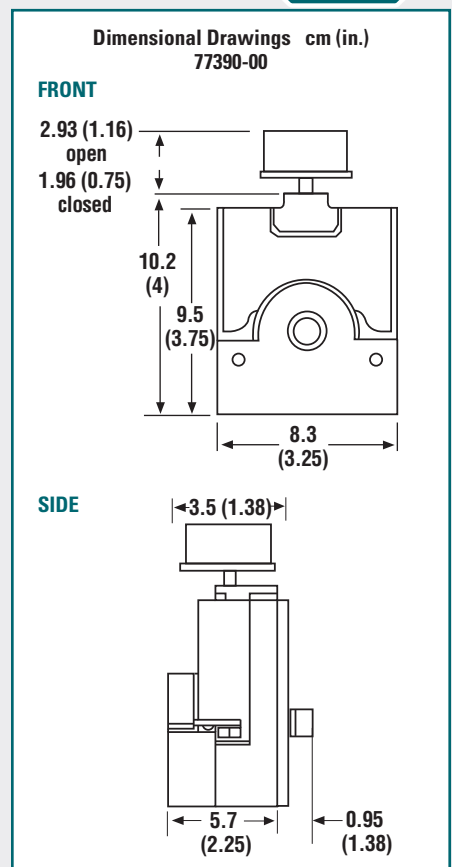


PTFE tubing sets, PTFE extension tubing, and straight connectors.

SPECIFICATIONS for L/S PTFE-Tubing Pump Head

| | | |
|--|--|-----------------------------------|
| Catalog number | HL-77390-00 | |
| Performance Specifications | | |
| Flow capacity | 4-mm OD tubing | 0.06 to 17 mL/min (0 to 0.27 GPH) |
| | 6-mm OD tubing | 0.25 to 65 mL/min (0 to 1.1 GPH) |
| Max rpm | 300 | |
| Number of rollers | 6 | |
| Vacuum lift | 2.4 m H ₂ O (8 ft H ₂ O) | |
| Maximum Torque [pumping water at 0 psi, 21°C (70°)] | | |
| PTFE tubing | 12.9 kg·cm (180 oz·in) | |
| Physical Specifications | | |
| Pump body, bearing support, and rotor plates material | Anodized aluminum | |
| Rotor shaft, bearings, rollers, and hardware material | Stainless steel | |
| Reversible | Yes | |
| Run dry | No† | |
| Operating temperature | 0 to 40°C (32 to 104°F) | |
| Shipping weight | 1.5 kg (3.3 lb) | |

†Do not pump gases or run dry for long periods of time; run dry to prime only.



COMPLETE L/S PTFE-TUBING PUMP SYSTEM

Applications

- ▶ Pumping high-purity fluids
- ▶ Transfer of aggressive chemicals
- ▶ Chemical feed and metering
- ▶ Filtration

Benefits

- ▶ Flow rate: 0.75 to 65 mL/min; pressure up to 100 psi (6.9 bar)
- ▶ Low-pulsation, six-roller pump head
- ▶ Continuous-duty drive displays speed (rpm) and direction

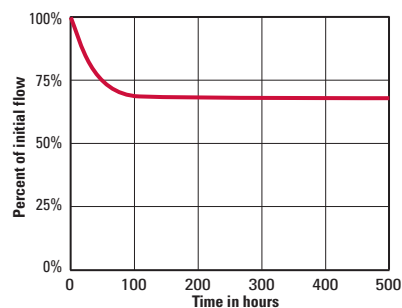
Complete system includes: L/S PTFE tubing pump head 77390-00, 6-mm OD PTFE tube set 77390-60, L/S 300 rpm variable-speed console drive 07528-20, and two ¼" NPT(M) pipe adapters.



Drive is

| Catalog number | Power |
|-----------------------------|-------------------------|
| HL-77912-10 | 90 to 260 VAC, 50/60 Hz |

Decay of Initial Flow vs. Time at 300 rpm



HOW TO LOAD YOUR PUMP HEAD



1. Rotate locking ring then rotate the knob on top of the pump counterclockwise. Lift occlusion bed by sliding it out the front of the body assembly.



2. Install the PTFE tubing assembly in the occlusion bed groove.



3. Slide the occlusion assembly back onto the body assembly and tighten knob.

L/S® TUBING 68–73
L/S® DRIVES 74–107
L/S® PUMP SYSTEMS..... 108–117

ACCESSORIES 160–171

TECHNICAL DATA 172–206

L/S® MULTICHANNEL PUMP HEADS FOR MICROBORE PUMP TUBING

FEATURES/BENEFITS

- Four- or eight-channel heads are stackable for up to 32 synchronous flow channels
- Deliver flow rates from 0.00005 to 200 mL/min per channel (flow rates depend on drive rpm and tubing size)
- Six rollers deliver low-pulsation flow
- Excellent between-channel accuracy
- Anodized aluminum and stainless steel construction for durability and reliable, continuous-duty operation up to 600 rpm
- Two-stop tubing sets are easy to load with no occlusion or retention adjustment—order tubing sets separately below
- Accept microbore two-stop tube sets from 0.19 to 2.79 mm ID for a wide flow range

Note: Multichannel pump heads require two-stop tube sets and cannot be loaded with continuous tubing.

SELECTION CRITERIA

- Flow rate and tubing size desired.
 - Number of channels needed.
 - Compatibility with drives.
- Mounting hardware and hex key tool included. See specifications for more information.
Order tubing and drives separately.

COMPATIBILITY WITH DRIVES

- Mount on all Masterflex L/S drives that accept two or more pump heads; 1/10 hp minimum

PUMP HOUSING SPECIFICATIONS

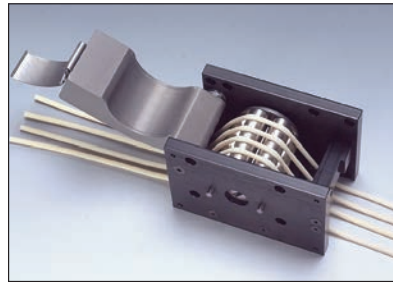
- Black anodized aluminum frame and gray, hardcoat anodized aluminum occlusion beds

ROLLER/ROTOR SPECIFICATIONS

- Rollers, bearings, rotor plates, and rotor shaft are made of 303 stainless steel
- Good protection from corrosive liquids/vapors
- Humidity: 10 to 90% noncondensing
- Shielded stainless steel ball bearings
- Continuous duty up to 600 rpm



Multichannel pump head 07534-04 for microbore tubing



Six rollers deliver accurate, low-pulsation flow.



Stack heads for up to 32 channels.

MULTICHANNEL CAPABILITIES

- Stack heads up to the limits detailed under "Specifications" on facing page
- Mounting hardware and hex key tool are included with each pump head; hardware set attaches head to drive and/or head to head

ISO9001:2008
 CERTIFIED SUPPLIER **2** year warranty

ORDERING INFORMATION

| Catalog number | Number of channels |
|---|--------------------|
| Multichannel pump heads for microbore pump tubing, 0.19 to 2.79 mm ID | |
| HL-07534-04 | 4 |
| HL-07534-08 | 8 |

ACCESSORIES

[HL-07534-01](#) Replacement mounting hardware set, includes four mounting screws and hex key tool.

Order microbore extension tubing on pages 34 and 36.

MICROBORE TWO-STOP PUMP TUBING SET FLOW RATES & ORDERING INFORMATION

Flow Rate Information (mL/min per channel using microbore two-stop tubing sets below)

| Drive rpm | Microbore pump tubing | | | | | |
|-----------|-----------------------|------------------|--------------|------------|------------|------------|
| | 0.19 mm ID | 0.25 mm ID | 0.89 mm ID | 1.42 mm ID | 2.06 mm ID | 2.79 mm ID |
| 1 to 100 | 0.0026 to 0.26 | 0.0053 to 0.53 | 0.054 to 5.4 | 0.12 to 12 | 0.23 to 23 | 0.35 to 35 |
| 6 to 600 | Not recommended† | Not recommended† | 0.30 to 30 | 0.67 to 67 | 1.3 to 130 | 2.0 to 200 |

†Maximum recommended speed for these tubing sizes is 300 rpm.

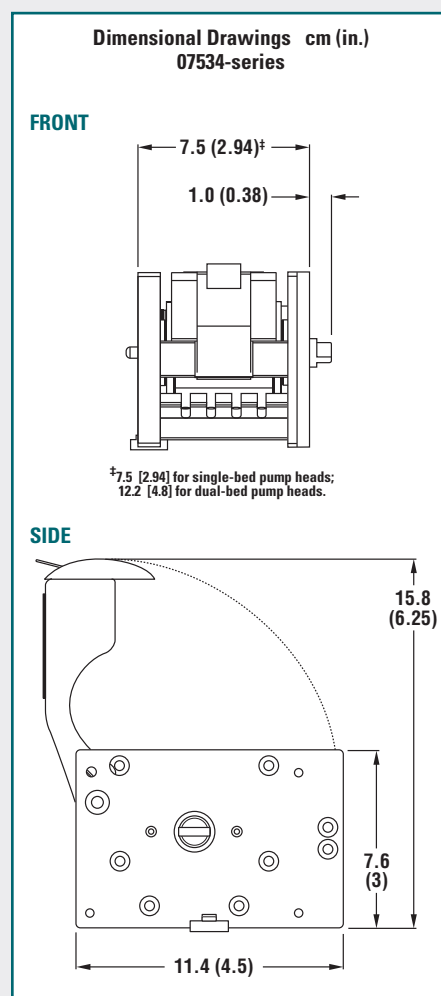
Microbore Two-Stop Tubing Set Ordering Information

| Tubing ID (mm) | Platinum-cured silicone | Santoprene® | Tygon® E-LFL | Viton® |
|----------------|-----------------------------|-----------------------------|-----------------------------|-----------------------------|
| 0.19 | — | — | HL-06447-10 | — |
| 0.25 | — | HL-06431-12 | HL-06447-12 | — |
| 0.89 | HL-06421-26 | HL-06431-26 | HL-06447-26 | HL-96428-26 |
| 1.42 | HL-06421-34 | HL-06431-34 | HL-06447-34 | HL-96428-34 |
| 2.06 | HL-06421-42 | HL-06431-42 | HL-06447-42 | HL-96428-42 |
| 2.79 | HL-06421-48 | HL-06431-48 | HL-06447-48 | HL-96428-48 |
| Qty/pk | 6 | 12 | 12 | 12 |

SPECIFICATIONS for L/S Multichannel Pump Heads

| | | | |
|---|--------------------------------------|------------------------|-----------------------------|
| Catalog number | HL-07534-04 | | HL-07534-08 |
| Performance Specifications | | | |
| Flow capacity per channel | 0.00005 to 200 mL/min (0 to 3.2 GPH) | | |
| Number of channels | 4 | 8 | |
| Max number of channels with stacked heads [†] | 100-rpm drive | 32 | |
| | 600-rpm drive | 28 | |
| Max rpm | 600 | | |
| Number of rollers | 6 | | |
| Torque Specifications [a single pump head pumping water at 0 psi, 21°C (70°F)][‡] | | | |
| Santoprene® | Starting torque | 7.2 kg-cm (100 oz-in) | 9.0 kg-cm (125 oz-in) |
| | Running torque | 2.2 kg-cm (30 oz-in) | 2.9 kg-cm (40 oz-in) |
| PVC | Starting torque | 10.8 kg-cm (150 oz-in) | 13.7 kg-cm (190 oz-in) |
| | Running torque | 6.1 kg-cm (85 oz-in) | 7.9 kg-cm (110 oz-in) |
| Silicone | Starting torque | 4.3 kg-cm (60 oz-in) | 5.0 kg-cm (70 oz-in) |
| | Running torque | 1.8 kg-cm (25 oz-in) | 2.2 kg-cm (30 oz-in) |
| Physical Specifications | | | |
| Housing material | Anodized aluminum | | |
| Rotor material | Stainless steel | | |
| Operating temperature | 0 to 40°C (32 to 104°F) | | |
| Shipping weight | 1.8 kg (4 lb) | 2.3 kg (5 lb) | |

[†]With softer formulations such as silicone; max number of channels will be less with firmer tubing.
[‡]All channels loaded with specified tubing formulations.



COMPLETE L/S MULTICHANNEL PUMP SYSTEM

Applications

- Multichannel, low-volume dispensing
- Meter fluids through multiple lines

Benefits

- Flow rate: 0.35 to 35 mL/min per channel
- Synchronous flow from four separate channels
- Low-pulsation, six-roller pump head
- Continuous-duty drive displays speed (rpm) and direction

Complete system includes: L/S multichannel pump head 07534-04, 2.79 mm ID PVC tube set 06416-48, L/S 100-rpm variable-speed console drive 07528-30.



Drive is



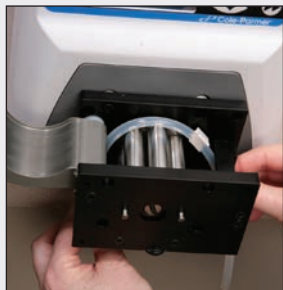
See pages 110 and 112 for more complete L/S Multichannel Pump Systems

FOR THE LATEST...

Masterflex technical resources, see

- ColeParmer.com
- Masterflex.com

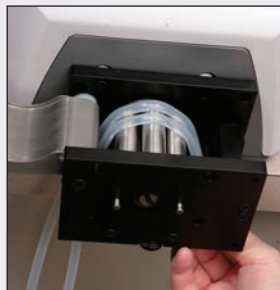
HOW TO LOAD YOUR PUMP HEAD



1. Release latch and open occlusion bed; place tubing over rollers and thread ends through retainer slots.



2. Hook left side tubing stop underneath retainer slot.



3. Stretch tubing and hook right side stop underneath retainer slot. Close and latch occlusion bed.

L/S® TUBING 68-73
 L/S® DRIVES 74-107
 L/S® PUMP SYSTEMS..... 108-117

ACCESSORIES..... 160-171

TECHNICAL DATA..... 172-206

L/S® MULTICHANNEL PUMP HEADS FOR L/S® PUMP TUBING

FEATURES/BENEFITS

- Two-, four-, or eight-channel heads are stackable for up to 24 synchronous flow channels
- Deliver flow rates from 0.0009 to 2300 mL/min per channel
- Six-roller heads deliver smooth, low-pulsation flow; three-roller heads offer higher flow rates
- Excellent between-channel accuracy makes these heads ideal for multi-channel dispensing applications
- Anodized aluminum and stainless steel construction for durability and reliable, continuous-duty operation up to 600 rpm
- Two-stop tubing sets are easy to load with no occlusion or retention adjustment—order tubing sets on facing page
- Accept Masterflex® L/S Precision and High-performance precision pump tubing sizes L/S 13, L/S 14, L/S 16, L/S 15, L/S 24, and L/S 35

Note: Multichannel pump heads require two-stop tube sets and cannot be loaded with continuous tubing.



Multichannel pump head 07535-08 for L/S Precision pump tubing



Multichannel pump head 07536-04 for L/S High-performance precision pump tubing

SELECTION CRITERIA

- Flow rate and tubing size desired.
- Number of channels needed.
- Compatibility with drives.

Mounting hardware, hex key tool included.
See specifications for more information.

Order tubing and drives separately.

COMPATIBILITY WITH DRIVES

- Mount on all Masterflex L/S drives that accept two or more pump heads; 1/10 hp minimum

PUMP HOUSING SPECIFICATIONS

- Black anodized aluminum frame and gray, hardcoat anodized aluminum occlusion beds

ROLLER/ROTOR SPECIFICATIONS

- Good protection from corrosive liquids/vapors
- Humidity: 10 to 90% noncondensing
- Shielded stainless steel ball bearings
- Continuous duty up to 600 rpm
- Rollers, bearings, rotor plates, and rotor shaft are made of 303 stainless steel



Stack heads for up to 24 channels.

MULTICHANNEL CAPABILITIES

- Stack heads up to the limits detailed under "Specifications" on facing page
- Mounting hardware and hex key tool are included with each pump head; hardware set attaches head to drive and/or head to head

ISO 9001:2008
CERTIFIED SUPPLIER

2 year
warranty

ORDERING INFORMATION







| Catalog number | Number of channels |
|---|--------------------|
| Multichannel pump heads for Precision pump tubing, sizes L/S 13, L/S 14, L/S 16 | |
| HL-07535-04 | 4 |
| HL-07535-08 | 8 |
| Multichannel pump heads for High-performance Precision pump tubing, sizes L/S 15, L/S 24, L/S 35 | |
| HL-07536-02 | 2 |
| HL-07536-04 | 4 |

ACCESSORIES

HL-07534-01 Replacement mounting hardware set, includes four mounting screws and hex key tool

L/S PUMP TUBING FLOW RATE INFORMATION

Order Masterflex L/S two-stop Precision pump tubing sets on facing page; order L/S Precision extension tubing on pages 68–73.

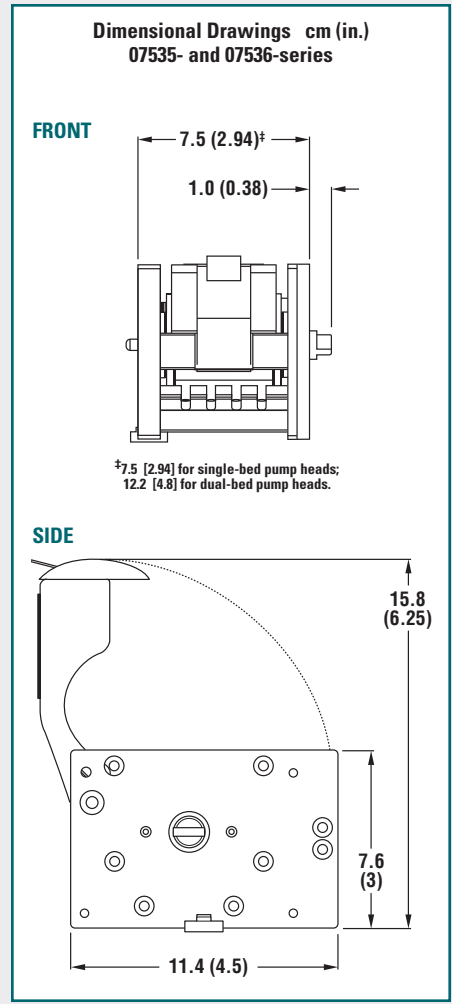
| Tubing cross sections | L/S Precision pump tubing | | | L/S high-performance Precision pump tubing | | |
|---------------------------|---|---|---|--|---|---|
| |  |  |  |  |  |  |
| | L/S 13 | L/S 14 | L/S 16 | L/S 15 | L/S 24 | L/S 35 |
| Flow rate—mL/rev | 0.045 | 0.16 | 0.47 | 1.6 | 2.8 | 3.8 |
| mL/min @ 600 rpm | 27 | 96 | 280 | 1000 | 1700 | 2300 |
| Max pressure [†] | 2.7 bar (40 psi) | | | | | 2.4 bar (35 psi) |
| Max vacuum [†] | 660 mm Hg (26" Hg) | | | | | |
| Suction lift | 8.8 m H ₂ O (29 ft H ₂ O) | | | | | |

[†]Actual performance varies depending upon tubing materials—see pages 20–24 and 172–192 for more information.

SPECIFICATIONS for L/S Multichannel Pump Heads

| Catalog number | | HL-07535-04 | HL-07535-08 | HL-07536-02 | HL-07536-04 |
|---|-----------------|-------------------------------------|-----------------------------|------------------------------------|-----------------------------|
| Performance Specifications | | | | | |
| Flow capacity per channel | | 0.0009 to 280 mL/min (0 to 4.4 GPH) | | 0.032 to 2300 mL/min (0 to 36 GPH) | |
| Number of channels | | 4 | 8 | 2 | 4 |
| Max number of channels with stacked heads [†] | 100-rpm drive | 24 | | 12 | |
| | 600-rpm drive | 12 | | 6 | |
| Max rpm | | 600 | | 600 | |
| Number of rollers | | 6 | | 3 | |
| Torque Specifications [a single pump head pumping water at 0 psi, 21°C (70°F)][‡] | | | | | |
| PharMed® BPT | Starting torque | 19.8 kg-cm (275 oz-in) | 32.4 kg-cm (450 oz-in) | 20.5 kg-cm (285 oz-in) | 37 kg-cm (515 oz-in) |
| | Running torque | 3.6 kg-cm (50 oz-in) | 5.4 kg-cm (75 oz-in) | 4.0 kg-cm (55 oz-in) | 6.8 kg-cm (95 oz-in) |
| Tygon®, Viton® | Starting torque | 25.1 kg-cm (350 oz-in) | 33.5 kg-cm (465 oz-in) | 21.2 kg-cm (295 oz-in) | 37.4 kg-cm (520 oz-in) |
| | Running torque | 8.3 kg-cm (115 oz-in) | 11.2 kg-cm (155 oz-in) | 6.8 kg-cm (95 oz-in) | 12.9 kg-cm (180 oz-in) |
| Silicone | Starting torque | 11.9 kg-cm (165 oz-in) | 16.9 kg-cm (235 oz-in) | 12.9 kg-cm (180 oz-in) | 20.9 kg-cm (290 oz-in) |
| | Running torque | 2.5 kg-cm (35 oz-in) | 4.0 kg-cm (55 oz-in) | 2.9 kg-cm (40 oz-in) | 5.4 kg-cm (75 oz-in) |
| Physical Specifications | | | | | |
| Housing material | | Anodized aluminum | | | |
| Rotor material | | Stainless steel | | | |
| Operating temperature | | 0 to 40°C (32 to 104°F) | | | |
| Shipping weight | | 1.8 kg (4 lb) | 2.3 kg (5 lb) | 1.8 kg (4 lb) | 2.3 kg (5 lb) |

[†]With softer formulations such as silicone; max number of channels will be less with firmer tubing.
[‡]All channels loaded with specified tubing formulation.



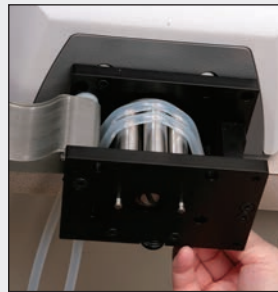
HOW TO LOAD YOUR PUMP HEAD



1. Release latch and open occlusion bed; place tubing over rollers and thread ends through retainer slots.



2. Hook left side tubing stop underneath retainer slot.



3. Stretch tubing and hook right side stop underneath retainer slot. Close and latch occlusion bed.

L/S® TUBING 68–73
 L/S® DRIVES 74–107
 L/S® PUMP SYSTEMS..... 108–117

ACCESSORIES..... 160–171

TECHNICAL DATA..... 172–206

L/S TWO-STOP PUMP TUBING SETS ORDERING INFORMATION

| Pump tubing formulation | L/S Precision pump tubing | | | L/S High-performance Precision pump tubing | | |
|---|-----------------------------|-----------------------------|-----------------------------|--|-----------------------------|-----------------------------|
| | L/S 13 | L/S 14 | L/S 16 | L/S 15 | L/S 24 | L/S 35 |
| Tygon® E-FL NEW | HL-06447-13 | HL-06447-14 | HL-06447-16 | HL-06447-15 | HL-06447-24 | HL-06447-35 |
| Silicone (platinum-cured) | HL-06421-13 | HL-06421-14 | HL-06421-16 | HL-06421-15 | HL-06421-24 | HL-06421-35 |
| BioPharm Plus silicone (platinum-cured) | HL-96116-13 | HL-96116-14 | HL-96116-16 | HL-96116-15 | HL-96116-24 | HL-96116-35 |
| PharMed® BPT | HL-96114-13 | HL-96114-14 | HL-96114-16 | HL-96114-15 | HL-96114-24 | HL-96114-35 |
| Chem-Durance® Bio | HL-96117-13 | HL-96117-14 | HL-96117-16 | HL-96117-15 | HL-96117-24 | HL-96117-35 |
| Viton® | HL-96428-13 | HL-96428-14 | HL-96428-16 | HL-96428-15 | HL-96428-24 | HL-96428-35 |
| Qty/pk | 8 | 8 | 8 | 4 | 4 | 4 |

L/S® MULTICHANNEL CARTRIDGE PUMP HEADS

FEATURES/BENEFITS

- ▶ Synchronous multichannel pumping
- ▶ Deliver flow rates from 0.005 to 1700 mL/min per channel with Masterflex L/S® or microbore tubing (flow rates depend on drive rpm and tubing size)
- ▶ Use 4 large cartridges, 8 small cartridges, or any combination of both
- ▶ Up to eight channels with a single head
- ▶ Use one cartridge or fill the pump head
- ▶ Each cartridge is individually adjustable
- ▶ Precision molded housing and tubing cavity
- ▶ Adapts easily to OEM applications

COMPATIBILITY WITH DRIVES

- ▶ Mount on most drives accepting Masterflex L/S pump heads

For more information, see specific drive pages.

SELECTION CRITERIA

1. Flow rate, tubing size desired.
 2. Number of channels needed.
 3. Drive compatibility.
- See specifications for more information.

Order tubing and drives separately.

PUMP HOUSING SPECIFICATIONS

Molded Polysulfone Body

- ▶ General-purpose applications
- ▶ Adjustable foot provided for head support

ROLLER/ROTOR SPECIFICATIONS

300-Series Stainless Steel (SS) for 07519-06

Anodized Aluminum for 07519-05

- ▶ General-purpose applications
- ▶ Buna N shielded ball-bearing construction
- ▶ Continuous duty up to 600 rpm

See specifications for maximum drive rpm.

CARTRIDGE SPECIFICATIONS

Polycarbonate and Glass-Filled Nylon

- ▶ No tools required/mechanically stable
- ▶ Anodized aluminum occlusion knob

Tangential Occlusion

- ▶ Better flow performance
- ▶ Fine tune flow rates ±5%
- ▶ Flow characteristics virtually the same in each direction of rotation
- ▶ Increase occlusion for priming/greater pressure
- ▶ Decrease occlusion to extend tubing life
- ▶ Index scale on cartridge to reference set occlusion
- ▶ Use microbore and Masterflex L/S Precision tubing sizes

ISO9001:2008
CERTIFIED SUPPLIER

2 year
warranty

ORDERING INFORMATION

Pump Heads

| Catalog number | Max number of cartridges accepted [†] | Gear reduction | Max drive speed |
|-------------------------------|--|----------------|-----------------|
| Three-roller pump head | | | |
| HL-07519-05 | 4 large or 8 small | 1:1 | 600 |
| Four-roller pump head | | | |
| HL-07519-06 | 4 large or 8 small | 1:1 | 600 |

[†]Pump heads accept both large and small cartridges—one large cartridge occupies the same space as two small ones. Use 4 large cartridges, 8 small cartridges, or any combination of both.

Cartridges

| Catalog number | Tubing sizes accepted |
|-----------------------------|--|
| Large cartridge | |
| HL-07519-70 | Masterflex L/S 14, 16, 25, 17 [†] |
| Small cartridge | |
| HL-07519-80 | Microbore two-stop tubing sets, 0.89 mm and larger; or Masterflex tubing sizes L/S 13 and L/S 14 |

[†]Only C-FLEX® and silicone tubing formulations are recommended for L/S 17.



Three-roller pump head
07519-05



Four-roller pump head
07519-06

NOTES

Use only Masterflex pump tubing with Masterflex pumps to ensure optimal performance. Use of other tubing may void applicable warranties.

SPECIFICATIONS & FLOW RATE INFORMATION (mL/MIN PER CHANNEL)

| Pump head model | No. of rollers | Maximum no. of cartridges accepted | Gear ratio | Drive rpm | Pump tubing sizes (Order microbore two-stop tubing sets on page 57 and Masterflex pump tubing on pages 68–73.**) | | | | | | | |
|---|----------------|------------------------------------|------------|------------|---|---------------------------|--------------|-------------|-------------|-------------|----------------------|---|
| | | | | | 0.19 mm ID | 0.25 mm ID | 0.89 mm ID | 1.42 mm ID | 2.06 mm ID | 2.79 mm ID | | |
| Using microbore two-stop tubing sets | | | | | | | | | | | | |
| HL-07519-05 | 3 | 4 large or 8 small | 1:1 | 6 to 600 | Not recommended | Not recommended | 0.44 to 44 | 1.0 to 100 | 2.2 to 220 | 3.8 to 380 | | |
| | | | | 0.1 to 100 | Not recommended | Not recommended | 0.007 to 7.4 | 0.017 to 17 | 0.037 to 37 | 0.063 to 63 | | |
| HL-07519-06 | 4 | 4 large or 8 small | 1:1 | 6 to 600 | Not recommended | Not recommended | 0.44 to 44 | 1.0 to 100 | 2.2 to 220 | 3.8 to 380 | | |
| | | | | 0.1 to 100 | Not recommended | Not recommended | 0.007 to 7.4 | 0.017 to 17 | 0.037 to 37 | 0.063 to 63 | | |
| Using Masterflex precision pump tubing | | | | | | | L/S 13 | L/S 14 | L/S 16 | L/S 25 | L/S 17 ^{††} | — |
| HL-07519-05 | 3 | 4 large or 8 small | 1:1 | 6 to 600 | 0.30 to 30 | 1.3 to 130 ^{†††} | 4.6 to 460 | 10 to 1000 | 17 to 1700 | — | | |
| | | | | 0.1 to 100 | 0.005 to 5 | 0.021 to 21 | 0.076 to 76 | 0.17 to 170 | 0.28 to 280 | — | | |
| HL-07519-06 | 4 | 4 large or 8 small | 1:1 | 6 to 600 | 0.28 to 28 | 1.2 to 120 | 3.8 to 380 | 8.3 to 830 | 14 to 1400 | — | | |
| | | | | 0.1 to 100 | 0.005 to 4.7 | 0.020 to 20 | 0.063 to 63 | 0.14 to 140 | 0.23 to 230 | — | | |

^{††}Only C-FLEX and silicone formulations are recommended for L/S 17.

^{†††}Tygon® E-Food and Viton (L/S sizes) are not recommended for multichannel cartridge pump heads.

^{††††}Use a maximum of six 07519-70 cartridges when using L/S 14 Norprene®, PharMed® BPT, or Tygon tubing formulations at higher speeds with pump head 07519-05.

SPECIFICATIONS for L/S Multichannel Cartridge Pump Heads

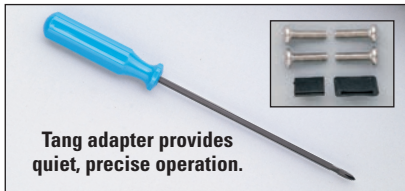
| | | |
|-----------------------------------|--|-----------------------------|
| Catalog number | HL-07519-05 | HL-07519-06 |
| Performance Specifications | | |
| Flow capacity per channel | 0.005 to 1700 mL/min (0 to 27 GPH) ^{***} | |
| Max rpm | 600 | |
| Number of rollers | 3 | 4 |
| Maximum vacuum/suction lift | 660 mm Hg (26" Hg)/8.8 m H ₂ O (29 ft H ₂ O) | |
| Torque data | Please see pages 172–192 | |
| Physical Specifications | | |
| Housing/Rotor material | Stainless steel/anodized aluminum | Stainless steel |
| Operating temperature | 0 to 40°C (32 to 104°F) | |
| Shipping weight | 1.5 kg (3.3 lb) | |

^{***}Depending on drive, pump head, and tubing size selected.

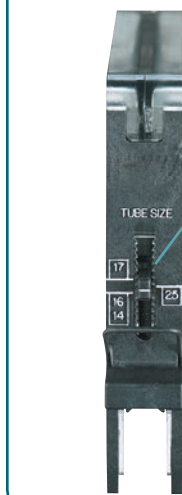
MULTICHANNEL CAPABILITIES

- Mount one pump head with up to eight cartridges on a single drive
- No tools required to insert, remove, or adjust the cartridges
- Change tubing without disturbing other cartridges—eliminates lost time

Mounting hardware and tool supplied with pump head.



MORE INFO



Tubing size settings on our cartridges allow you to simply select your tubing size for exact tubing retention every time!

Shown: Large cartridge 07519-70 (order separately on page 56).

ORDERING INFORMATION

Microbore Two-Stop Pump Tubing Sets (for 07519-80 small cartridge)

| Tubing ID (mm) | Platinum-cured silicone | Santoprene | Tygon® E-LFL | Viton® |
|----------------|-----------------------------|-----------------------------|-----------------------------|-----------------------------|
| 0.89 | HL-06421-26 | HL-06431-26 | HL-06447-26 | HL-96428-26 |
| 1.42 | HL-06421-34 | HL-06431-34 | HL-06447-34 | HL-96428-34 |
| 2.06 | HL-06421-42 | HL-06431-42 | HL-06447-42 | HL-96428-42 |
| 2.79 | HL-06421-48 | HL-06431-48 | HL-06447-48 | HL-96428-48 |
| Qty/pk | 6 | 12 | 12 | 12 |

HOW TO LOAD YOUR PUMP HEAD



1. Select tubing, load tubing into cartridge, and set tubing retainers.

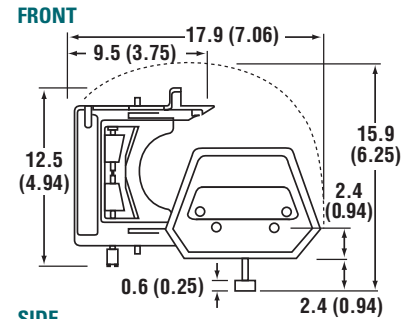


2. Snap cartridge into place on pump head.

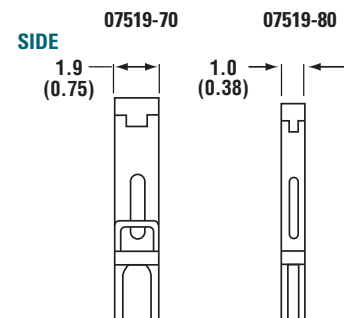
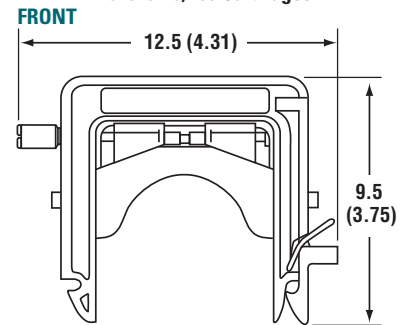


3. Adjust occlusion using index scale on cartridge.

Dimensional Drawings cm (in.) 07519-05, -06 Pump Heads



07519-70, -80 Cartridges



L/S® TUBING 68–73
L/S® DRIVES 74–107
L/S® PUMP SYSTEMS..... 108–117

ACCESSORIES..... 160–171

TECHNICAL DATA..... 172–206

L/S® REDUCED-PULSATION CARTRIDGE PUMP HEADS

FEATURES/BENEFITS

- ▶ Synchronous multichannel pumping
- ▶ Deliver flow rates from 0.00005 to 350 mL/min per channel (flow rates depend on drive rpm and tubing size)
- ▶ Use up to 6 large cartridges or up to 12 small cartridges
- ▶ Use just one cartridge or fill the pump head
- ▶ Adapts easily to OEM applications

SELECTION CRITERIA

1. Pump head compatibility.
 2. Flow rate and tubing size.
- See specifications for more information.
Order tubing and drives separately.

COMPATIBILITY WITH DRIVES

- ▶ Mount on most Masterflex L/S drives
- ▶ See specific drive pages for more information.

PUMP HOUSING SPECIFICATIONS

Molded Polysulfone Housing
300-Series Stainless Steel (SS) Rotors and Bearings
Rulon® Rollers

- ▶ Adjustable foot on long heads for support
- ▶ See specifications for maximum drive rpm.

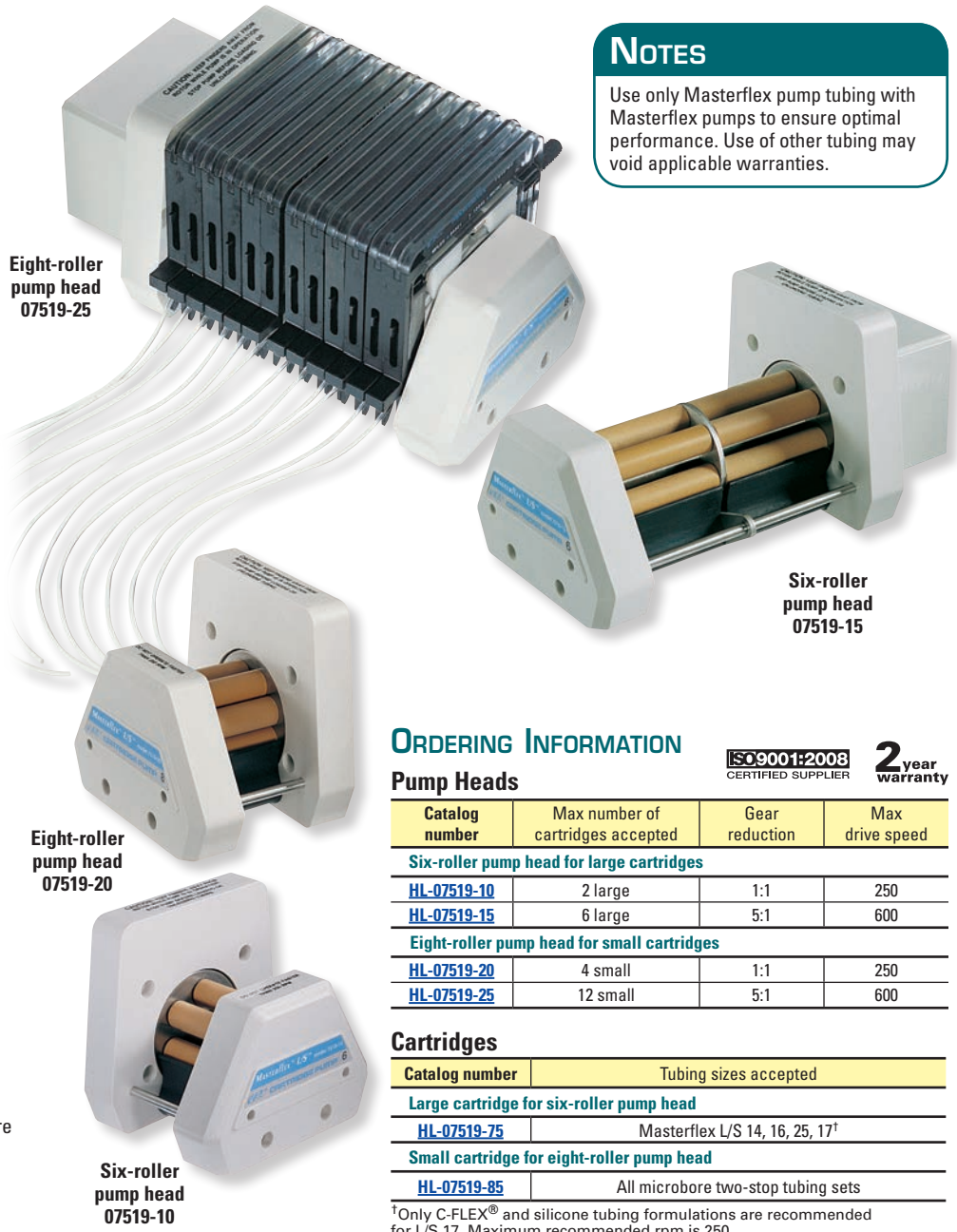
CARTRIDGE SPECIFICATIONS

Polycarbonate and Glass-Filled Nylon

- ▶ No tools required/mechanically stable
- ▶ Anodized aluminum occlusion knob

Offset Tangential Occlusion

- ▶ Better flow performance
- ▶ Fine tune flow rate ±5%
- ▶ Flow characteristics virtually the same in each direction of rotation (see note on facing page regarding reduced-pulsation setup)
- ▶ Increase occlusion for priming/greater pressure
- ▶ Decrease occlusion to extend tubing life
- ▶ Index scale on cartridge
- ▶ Use microbore and Masterflex L/S Precision pump tubing sizes



NOTES
 Use only Masterflex pump tubing with Masterflex pumps to ensure optimal performance. Use of other tubing may void applicable warranties.

ORDERING INFORMATION

ISO9001:2008 CERTIFIED SUPPLIER **2** year warranty

Pump Heads

| Catalog number | Max number of cartridges accepted | Gear reduction | Max drive speed |
|--|-----------------------------------|----------------|-----------------|
| Six-roller pump head for large cartridges | | | |
| HL-07519-10 | 2 large | 1:1 | 250 |
| HL-07519-15 | 6 large | 5:1 | 600 |
| Eight-roller pump head for small cartridges | | | |
| HL-07519-20 | 4 small | 1:1 | 250 |
| HL-07519-25 | 12 small | 5:1 | 600 |

Cartridges

| Catalog number | Tubing sizes accepted |
|---|------------------------------------|
| Large cartridge for six-roller pump head | |
| HL-07519-75 | Masterflex L/S 14, 16, 25, 17† |
| Small cartridge for eight-roller pump head | |
| HL-07519-85 | All microbore two-stop tubing sets |

†Only C-FLEX® and silicone tubing formulations are recommended for L/S 17. Maximum recommended rpm is 250.

SPECIFICATIONS & FLOW RATE INFORMATION (mL/MIN PER CHANNEL)

| Pump head model | No. of rollers | Maximum no. of cartridges accepted‡ | Gear ratio | Drive rpm | Pump tubing sizes (Order microbore two-stop tubing sets on page 57 and Masterflex pump tubing on pages 68–73††.) | | | | | |
|---|----------------|-------------------------------------|------------|------------|---|----------------|--------------|--------------|--------------|--------------|
| | | | | | 0.19 mm ID | 0.25 mm ID | 0.89 mm ID | 1.42 mm ID | 2.06 mm ID | 2.79 mm ID |
| Using microbore two-stop tubing sets | | | | | | | | | | |
| HL-07519-20 | 8 | 4 small | 1:1 | 6 to 250 | 0.017 to 0.70 | 0.31 to 1.3 | 0.31 to 13 | 0.70 to 29 | 1.3 to 54 | 2.0 to 85 |
| HL-07519-25 | 8 | 12 small | 5:1 | 6 to 600 | 0.0030 to 0.30 | 0.0005 to 0.60 | 0.062 to 6.2 | 0.14 to 14 | 0.26 to 26 | 0.41 to 41 |
| | | | | 0.1 to 100 | 0.00005 to 0.050 | 0.0001 to 0.10 | 0.001 to 1.0 | 0.002 to 2.3 | 0.004 to 4.3 | 0.007 to 6.8 |
| Using Masterflex Precision pump tubing | | | | | | | | | | |
| HL-07519-10 | 6 | 2 large | 1:1 | 6 to 250 | — | 0.94 to 39 | 3.1 to 130 | 5.8 to 240 | 8.4 to 350 | — |
| | | | | 0.1 to 100 | — | 0.016 to 16 | 0.052 to 52 | 0.096 to 96 | 0.14 to 140 | — |
| HL-07519-15 | 6 | 6 large | 5:1 | 6 to 600 | — | 0.20 to 20 | 0.65 to 65 | 1.2 to 120 | 1.7 to 170 | — |
| | | | | 0.1 to 100 | — | 0.003 to 3.3 | 0.011 to 11 | 0.020 to 20 | 0.028 to 28 | — |

‡Check pump head torque requirement with drive torque to determine actual number of cartridges.

††Tygon® Food and Viton® (L/S sizes) are not recommended for these reduced-pulsation cartridge pump heads.

‡‡Only C-FLEX® or silicone tubing is recommended for size L/S 17.



SPECIFICATIONS for L/S Reduced-Pulsation Cartridge Pump Heads

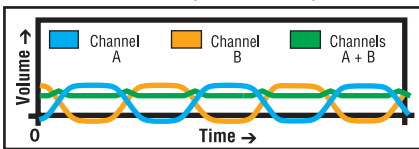
| Catalog number | HL-07519-10 | HL-07519-15 | HL-07519-20 | HL-07519-25 |
|-----------------------------------|---|------------------|------------------|------------------|
| Performance Specifications | | | | |
| Flow capacity per channel | 0.00005 to 350 mL/min (0 to 5.5 GPH) [†] | | | |
| Max drive rpm | 250 [†] | 600 [†] | 250 [†] | 600 [†] |
| Number of rollers | 6 | | 8 | |
| Torque data | Please see page 172–192 | | | |
| Physical Specifications | | | | |
| Housing material | Polysulfone ends | | | |
| Rotor/roller material | Stainless steel/Rulon® | | | |
| Operating temperature | 0 to 40°C (32 to 104°F) | | | |
| Shipping weight | 2.1 kg (4.5 lb) | | | |

[†]Depending on drive, pump head, and tubing size selected.

REDUCED-PULSATION SETUP

Mount cartridges in opposite directions to use offset occlusion for reduced pulsation.

Connect two discharge tubes together with a Y-connector. This will balance the offset occlusion of each cartridge. The reduced pulsation is measured at the outlet (shown below).



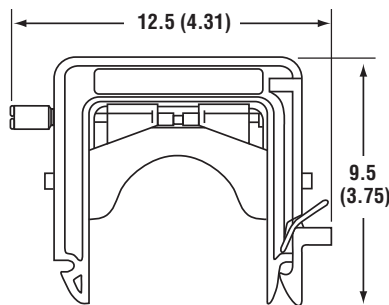
MULTICHANNEL CAPABILITIES

- Mount one pump head with up to 12 cartridges on a single drive with synchronized or offset occlusion for reduced pulsation
- No tools required to insert, remove, or adjust the cartridges
- Change tubing without disturbing other cartridges—eliminates lost time on other channels
- Best performance with 100 rpm, 1/10 hp motors. Can be used with other drives with a reduced number of cartridges

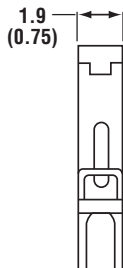


Mounting hardware and tool supplied with pump head

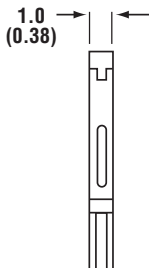
FRONT 07519-75, -85 Cartridges



SIDE 07519-75



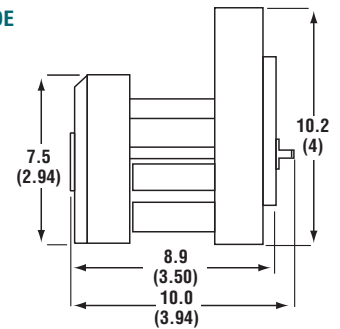
07519-85



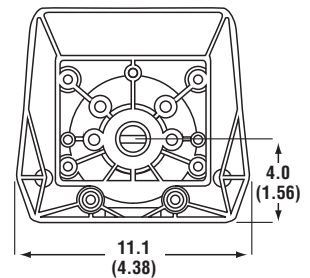
Dimensional Drawings cm (in.)

07519-10, -20 Pump Heads

SIDE

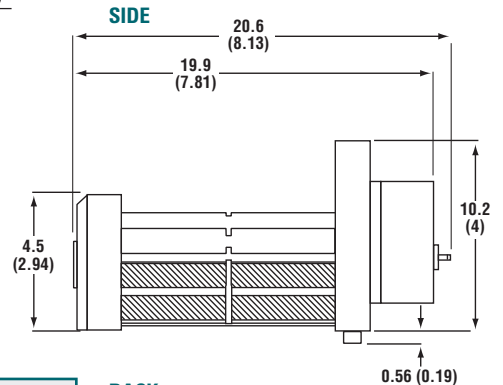


BACK

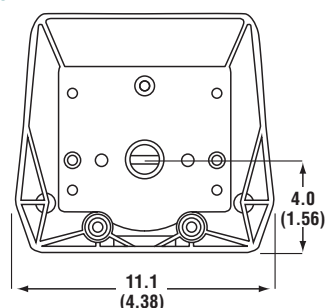


07519-15, -25 Pump Heads

SIDE



BACK



HOW TO LOAD YOUR PUMP HEAD



1. Select tubing, load cartridge, and set tubing retainers.



2. Easily snap cartridge into place on pump head.



3. Adjust occlusion using index scale on cartridge.

L/S® TUBING 68–73
L/S® DRIVES 74–107
L/S® PUMP SYSTEMS..... 108–117

ACCESSORIES..... 160–171

TECHNICAL DATA..... 172–206

L/S® PTFE-DIAPHRAGM PUMP HEADS

FEATURES/BENEFITS

- ▶ Designed for demanding chemical feed/metering applications
- ▶ Deliver flow rates from 10 to 800 mL/min
- ▶ Run dry without damage
- ▶ Maintain ±2% repeatability across varying system pressures and fluid viscosities
- ▶ Self-priming under wet and dry conditions
- ▶ Compact design minimizes fluid churning and dead volume
- ▶ Handles wide variety of fluids at temperatures up to 66°C (150°F)
- ▶ Pump through filter or into pressurized chamber
- ▶ Easy to clean, inspect, and service
- ▶ Adapts easily to OEM applications

SELECTION CRITERIA

1. Flow rate/pressure required.
2. Materials of construction.
3. Compatibility with drives.

Tang adapters and mounting hardware are supplied with each head.

See specifications for more information.

Order fittings and drives separately.

COMPATIBILITY WITH DRIVES

- ▶ Mount on most Masterflex L/S drives that accept two or more pump heads
- ▶ Drive requirements: minimum 1/10 hp

PTFE-diaphragm pump heads include check valves.



PTFE-diaphragm pump head 07090-42

PUMP HEAD MATERIALS

- ▶ PTFE diaphragm and pump body
- ▶ PTFE valve seat and springs
- ▶ PTFE or borosilicate glass ball checks
- ▶ Cast aluminum housing
- ▶ Tang adapters provide positive connection of pump head to drive for better torque control and quieter operation
- ▶ To determine chemical compatibility of your fluids, see pages 198–206

ISO9001:2008
CERTIFIED SUPPLIER

2 year
warranty

ORDERING INFORMATION

| Catalog number | Flow capacity |
|-----------------------------|------------------------------------|
| HL-07090-42 | 80 to 800 mL/min (1.3 to 13 GPH) |
| HL-07090-62 | 10 to 100 mL/min (0.16 to 1.6 GPH) |

COMPLETE L/S® PTFE-DIAPHRAGM PUMP SYSTEM

Applications

- ▶ Chemical feed and metering ▶ Chemical injection ▶ High-purity fluid transfer
- ▶ Pumping aggressive chemicals ▶ High-pressure pumping

Benefits

- ▶ Continuous pressure up to 50 psi
- ▶ Excellent chemical compatibility ▶ High metering accuracy
- ▶ Self-priming ▶ PTFE fluid path maintains fluid purity

Features

- ▶ 1/10-hp, 6 to 600 rpm continuous-duty drive ▶ ±0.25% speed control accuracy
- ▶ ABS plastic housing ▶ DB9 female connection on back for remote control



77915-10

SPECIFICATIONS & ORDERING INFORMATION

| Catalog number | Flow range (mL/min) | Pump head included | Tubing included [†] | Tubing sizes accepted | Drive included | Drive speed range (rpm) | Drive IP rating | Power (50/60 Hz) |
|-----------------------------|---------------------|-----------------------------|---|-----------------------|----------------|-------------------------|-----------------|------------------|
| HL-77915-10 | 80 to 800 | L/S PTFE diaphragm 07090-42 | 1/4" ID x 3/8" OD PTFE tubing 06605-15; 3.6 m (12 ft) | — | 07528-10 | 40 to 400 [‡] | IP33 | 90 to 260 VAC |

[†]Also includes pipe adapters and check valve. [‡]Recommended drive speed operating range for included pump head.



SPECIFICATIONS for L/S PTFE-Diaphragm Pump Heads

| Catalog number | HL-07090-42 | HL-07090-62 |
|--|--------------------------------------|------------------------------------|
| Performance Specifications | | |
| Flow capacity | 80 to 800 mL/min (1.3 to 13 GPH) | 10 to 100 mL/min (0.16 to 1.6 GPH) |
| Max rpm | 400 | 400 |
| Max pressure | 3.4 bar (50 psi) [†] | 5.0 bar (75 psi) [†] |
| Max suction lift (of H ₂ O) | 61 cm (24") dry, 4.9 m (16 ft) wet | 25.4 cm (10") dry, 3 m (10 ft) wet |
| Max dead volume | 16 mL | 2 mL |
| Intake/discharge ports | ¼" NPT(M) | ⅜" NPT(M) |
| Max fluid temperature | 65°C (149°F) | |
| Liquid viscosity range | 1 to 500 cp (6 to 2900 SSU) | |
| Reversible | Yes (does not affect flow direction) | |
| Self-priming, wet or dry | Yes | |
| Cracking pressure | 68 m bar (<1 psi) | |
| Run dry | Yes | |
| Torque Specifications [pumping water at 0 psi, 21°C (70°F)] | | |
| Starting torque | 5.8 kg-cm (80 oz-in) | 3.6 kg-cm (50 oz-in) |
| Running torque | 1.6 kg-cm (22 oz-in) | 1.3 kg-cm (18 oz-in) |
| Physical Specifications | | |
| Housing, diaphragm, spring, and valve seat material | PTFE | |
| Ball check material | PTFE | Borosilicate glass |
| Operating temperature | 0 to 40°C (32 to 104°F) | |
| Shipping weight | 1.5 kg (4 lb) | 1.4 kg (3 lb) |

[†]Use a pressure relief valve to prevent higher pressures.

ACCESSORIES

For high-flow pump head (07090-42)

[HL-31320-54](#) Female pipe adapter with ¼" NPT(F). Use with ⅜" OD tubing.

[HL-06605-35](#) PTFE tubing, ⅜" OD x ¼" ID. Pack of 7.6 m (25 ft).

[HL-07090-45](#) External check valve with PTFE ball. Inlet and discharge ports are ¼" NPT(M).

[HL-07090-43](#) Service kit. Contains one PTFE diaphragm, two PTFE check valve assemblies, two drive-tang boots, installation wrench.

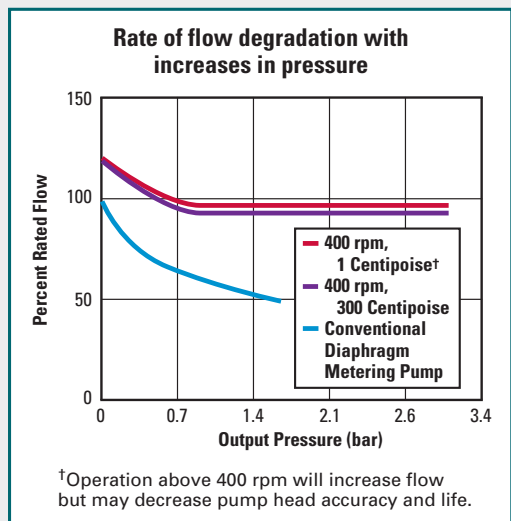
For low-flow pump head (07090-62)

[HL-31320-52](#) Female pipe adapter with ⅜" NPT(F). Use with ¼" OD tubing.

[HL-06605-31](#) PTFE tubing, ¼" OD x ⅜" ID. Pack of 7.6 m (25 ft).

[HL-07090-65](#) External check valve with borosilicate glass ball. Inlet and discharge ports are ⅜" NPT(M).

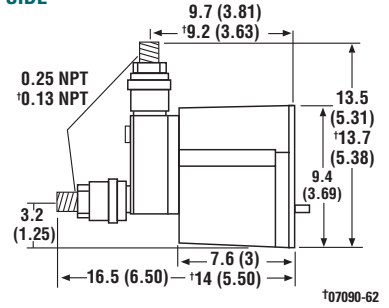
[HL-07090-63](#) Service kit. Contains one PTFE diaphragm, two PTFE check valve assemblies, two drive-tang boots, installation wrench.



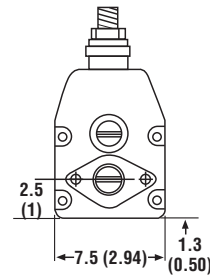
Service kit 07090-63 for PTFE-diaphragm pump head 07090-62

Dimensional Drawings cm (in.) PTFE-Diaphragm Pump Head

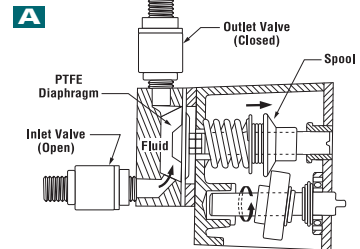
SIDE



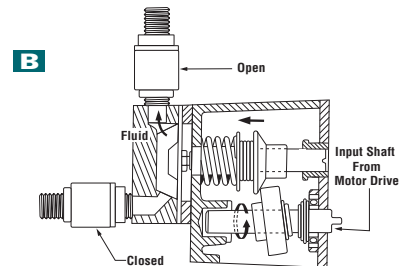
BACK



Pump Head Operation:



Drive coupling converts rotary to reciprocating motion. On the intake stroke, the PTFE diaphragm is fully retracted, creating a vacuum to open the inlet valve and draw in fluid.



On the discharge stroke, the PTFE diaphragm is driven forward, forcing fluid out through the outlet valve.

L/S® TUBING 68-73
L/S® DRIVES 74-107
L/S® PUMP SYSTEMS..... 108-117

ACCESSORIES..... 160-171

TECHNICAL DATA..... 172-206

MICROPUMP® A-MOUNT GEAR PUMP HEADS

FEATURES/BENEFITS

- ▶ Leak-free delivery of fluids
- ▶ Magnetic drive and single seal keep potential contaminants out
- ▶ Precision-geared pump heads provide smooth, accurate, pulseless fluid delivery
- ▶ Wide range of wetted parts handles a variety of challenging chemicals
- ▶ Compact and easy to service with available service kits and simple hand tools
- ▶ Cavity-style pump heads provide high inlet pressures
- ▶ Suction shoe heads provide higher delivery pressures and superior priming performance
- ▶ Continuous-duty cycle



A Cavity style design has ability to do reversible flows on models without an internal bypass.



B Suction shoe design provides constant flow even when pressure changes

SELECTION CRITERIA

1. Flow rate and tubing size desired.
2. Compatibility with drives.
3. Mounting adapter plate for Masterflex® L/S® drives.

See specifications for more information.

Order pump heads and drives separately.

COMPATIBILITY WITH DRIVES

- ▶ Mount on all Masterflex L/S drives using the Micropump pump head adapter for 600-rpm Masterflex L/S drives or mount to one of the Micropump-compatible drives on pages 63–64

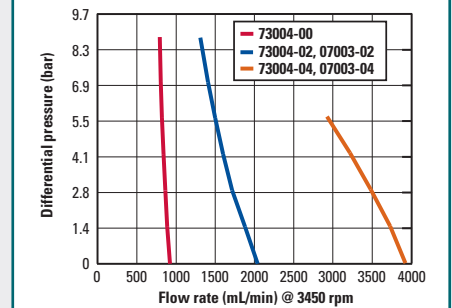
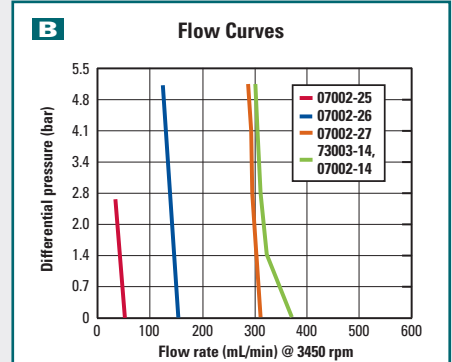
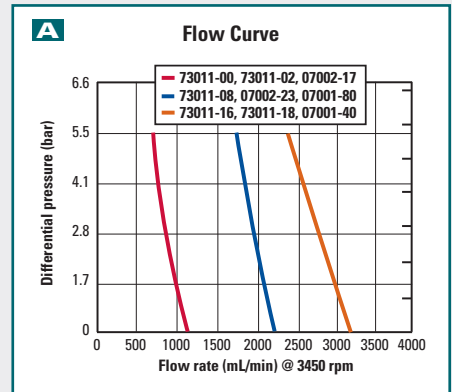
HL-07002-15 Micropump pump head adapter kit for 600-rpm Masterflex L/S drives

PUMP HOUSING SPECIFICATIONS

- ▶ 316 stainless steel base material
- ▶ Gears can be constructed of carbon graphite, PTFE, PPS, or PEEK
- ▶ Static seal materials include Viton®, PTFE, Kalrez, and EPDM (some are standard while others may be requested when ordering, see specifications table for standard materials)

SEE PAGES 63 AND 64

To select compatible drives.



SPECIFICATIONS & ORDERING INFORMATION

Max viscosity: 0.2 to 1500 cp Suction lift: 59.8 millibar (24" of H₂O at 1750 rpm)

| Catalog number | Flow rates (mL/min) | | | Max pressure (bar) | | Port size NPT(F) | Wetted parts | | | Temperature range | Internal bypass | Max speed (rpm) | Service kits Cat. no. | |
|----------------------------------|---------------------|-----------|-------------|--------------------|--------|-----------------------------|--------------|----------|-------|-------------------|-----------------|-----------------|-----------------------------|-----------------------------|
| | mL/rev | at 50 rpm | at 5000 rpm | Diff | System | | Body | Gears | Seals | | | | | |
| A Cavity-style pump heads | | | | | | | | | | | | | | |
| HL-73011-00 | 0.32 | 16 | 1600 | 5.51 | 20.68 | 1/8" | 316 SS | PEEK | PTFE | -43 to 54°C | No | 10,000 | HL-73011-80 | |
| HL-73011-02 | | | | 5.51 | | | | PEEK | | | | | | HL-73011-80 |
| HL-07002-17 | | | | 3.44 | | | | PTFE | | | | | | HL-07144-38 |
| HL-07002-23 | 0.64 | 32 | 3200 | 3.44 | 20.68 | 1/8" | 316 SS | PTFE | PTFE | -45 to 54°C | Yes | 10,000 | HL-07002-08 | |
| HL-07001-80 | | | | 5.17 | | | | PPS | | | | | | HL-07001-89 |
| HL-73011-08 | 0.64 | 32 | 3200 | 5.51 | 20.68 | 1/8" | 316 SS | PEEK | PTFE | -43 to 54°C | No | 10,000 | HL-73011-84 | |
| HL-73011-10 | | | | 5.51 | | | | PEEK | | | | | | HL-73011-84 |
| HL-73011-16 | 0.91 | 45.5 | 4550 | 5.51 | 20.68 | 1/8" | 316 SS | PEEK | PTFE | -43 to 54°C | No | 10,000 | HL-73011-88 | |
| HL-73011-18 | | | | 5.51 | | | | PEEK | | | | | | HL-73011-88 |
| HL-07001-40 | | | | 3.44 | | | | PTFE | | | | | | HL-07001-41 |
| B Suction shoe pump heads | | | | | | | | | | | | | | |
| HL-07002-25 | 0.017 | 0.85 | 85 | 1.37 | 20.68 | 1/8" | 316 SS | Graphite | PTFE | -45 to 176°C | No | 8000 | HL-07144-42 | |
| HL-07002-26 | 0.042 | 2.10 | 210 | 2.75 | 20.68 | 1/8" | 316 SS | Graphite | PTFE | -45 to 176°C | No | 8000 | HL-07144-44 | |
| HL-07002-27 | 0.084 | 4.20 | 420 | 2.75 | 20.68 | 1/8" | 316 SS | Graphite | PTFE | -45 to 176°C | No | 8000 | HL-07144-47 | |
| HL-73003-14 | 0.092 | 4.60 | 460 | 5.17 | 20.68 | 1/8" | 316 SS | PEEK | PTFE | -45 to 176°C | No | 8000 | HL-73003-94 | |
| HL-07002-14 | | | | 5.17 | PPS | HL-07144-34 | | | | | | | | |
| HL-73004-00 | 0.261 | 13.05 | 1305 | 8.61 | 20.68 | 1/8" | 316 SS | PEEK | Viton | -45 to 176°C | Yes | 10,000 | HL-73004-80 | |
| HL-73004-02 | 0.58 | 29.00 | 2900 | 8.61 | 20.68 | 1/8" | 316 SS | PEEK | Viton | -45 to 176°C | Yes | 10,000 | HL-73004-82 | |
| HL-07003-02 | | | | 5.17 | | | | PPS | | | | | | HL-07003-12 |
| HL-73004-04 | | | | 5.17 | | | | PEEK | | | | | | HL-73004-84 |
| HL-07003-04 | 1.17 | 58.50 | 5850 | 4.13 | 20.68 | 1/8" | 316 SS | PPS | Viton | -45 to 176°C | Yes | 10,000 | HL-07003-14 | |

Note: Viscosity for all models is dependent on the parameters (flow rate, pressure, etc.) of the specific applications. Flow rates based on water at room temperature and no back pressure.

MICROPUMP®-COMPATIBLE DRIVES

FEATURES/BENEFITS

- ▶ Console or wall-mount washdown models
- ▶ Easily operate console from front panel or use optional foot switch for hands-free operation
- ▶ Wall-mount washdown drive is ideal for your industrial or dirty locations; the IP56-rated enclosure is connected to motor via 7.6-m (25-ft) cable
- ▶ Calibrate, copy, and dispense features
- ▶ Precise, pulseless batching and dispensing
- ▶ Calibration values for all Micropump® A-mount pump heads are stored in memory
- ▶ Front-panel pump head calibration
- ▶ Digital optical encoder feedback signal keeps speed control to ±0.3%
- ▶ Remote control capabilities
- ▶ Keypad lockout feature

SELECTION CRITERIA

1. Console or wall-mount version.
2. Voltage required.

See specifications for more information.

Order pump heads and drives separately.

DRIVE CONTROLS

- ▶ Controls on front panel of drive controller
- ▶ Lighted display indicates power is on
- ▶ Simple, push-button programming of the following parameters:
 - ◆ Pump SIZE ◆ MODE
 - ◆ DISPense ◆ CALibration
 - ◆ FLOW rate ◆ PRIME
 - ◆ Up/Down (▲▼) ◆ Stop/Start

Note: Up/Down keys are used to change the display value of flow rate and calibration functions during setup or operation.

PUMP HEAD COMPATIBILITY

- ▶ Use with Micropump A-mount pump heads on page 62



Console digital dispensing drive
75211-30



Wall-mount digital dispensing drive
75211-40

NOTES

To calibrate digital dispensing drives for fluids other than water, enter the actual volume of fluid dispensed during a timed run.



ORDERING INFORMATION

| Catalog number | Power (50/60 Hz) |
|---|------------------|
| Console digital dispensing drive | |
| HL-75211-30 | 115 VAC |
| HL-75211-35 | 230 VAC |
| Wall-mount washdown digital dispensing drive | |
| HL-75211-40 | 115 VAC |
| HL-75211-45 | 230 VAC |

ACCESSORIES

HL-07595-42 Foot switch for remote start/stop control of 75211-30 and -35 drives.

HL-07592-83 Handheld remote controller for use with 75211-40 and -45 drives. Features start/stop, reverse, and momentary on (prime) functions.

SPECIFICATIONS for Micropump-Compatible Drives

| Catalog number | HL-75211-30 | HL-75211-35 | HL-75211-40 | HL-75211-45 |
|-----------------------------------|--|--|--|-------------|
| Performance Specifications | | | | |
| Flow capacity | 3.06 to 4212 mL/min (0.048 to 67 GPH) [†] | | 1.02 to 4212 mL/min (0.016 to 67 GPH) [†] | |
| rpm | 180 to 3600 | | 60 to 3600 | |
| Remote control – Input | ON/OFF by contact closure; 0 to 20 mA, 4 to 20 mA, 0 to 10 VDC | | | |
| Physical Specifications | | | | |
| Voltage/Frequency VAC (50/60 Hz) | 90 to 130 | 190 to 260 | 90 to 130 | 190 to 260 |
| Current | 3 A | 1.5 A | 3 A | 1.5 A |
| Motor type | 1/10-hp, permanent-magnet DC | | | |
| IP rating [‡] | IP23 | | IP56 (NEMA 4X) | |
| Operating temperature | 0 to 40°C (32 to 104°F) | | | |
| Dimensions (L x W x H) | Console | 29.2 x 19.7 x 18.4 cm (11½" x 7¾" x 7¼") | | |
| | Wall-mount | Controller: 11.4 x 27.9 x 22.9 cm (11½" x 7¾" x 7¼") Drive: 20.3 x 10.2 x 11.4 cm (8" x 4" x 4½") | | |
| Shipping weight | 6.4 kg (14 lb) | | 9.1 kg (20 lb) | |

[†]Depending on pump head selected.

[‡]See page 194 for an explanation of IP ratings.

Cole-Parmer® CONSOLE DRIVE

FEATURES/BENEFITS

- Permanent-magnet, direct-current (PMDC) motor is built for long-term applications
- Maximum continuous-duty flow rates possible with Micropump® A-mount pump heads on page 62
- Gradual, one-second acceleration for smooth flow rate changes

SELECTION CRITERIA

1. Voltage required.

See specifications for more information.

Order pump heads and drives separately.

DRIVE CONTROLS

- Single-turn potentiometer speed control
- Separate power switch with lighted "power-on" indicator

PUMP HEAD COMPATIBILITY

- Use with Micropump A-mount pump heads on page 62



75211-10

SPECIFICATIONS & ORDERING INFORMATION

ISO9001:2008 CERTIFIED SUPPLIER cUL US CE 2 year warranty

| Catalog number | HL-75211-10 | HL-75211-15 |
|-----------------------------------|---|-------------|
| Performance Specifications | | |
| Flow capacity | 0.85 to 5850 mL/min (0.013 to 92.7 GPH) | |
| rpm | 50 to 5000 | |
| Remote control – Input | No | |
| Physical specifications | | |
| Voltage/Frequency VAC (50/60 Hz) | 115 | 230 |
| Current | 2.0 | 1.0 |
| Motor type | Permanent magnet DC | |
| IP rating [†] | IP22 | |
| Operating temperature | 0 to 40°C (32 to 104°F) | |
| Dimensions | 21.6 x 16.2 x 13.2 cm (8½" x 6⅜" x 5⅝") | |
| Shipping weight | 5.0 kg (11 lb) | |

[†]See page 194 for an explanation of IP ratings.

Cole-Parmer® MODULAR GEAR PUMP DRIVE

FEATURES/BENEFITS

- Permanent-magnet, direct-current (PMDC) motor is built for long-term applications
- "Soft-start" feature allows gradual, one-second acceleration for smooth flow rate change
- Continuous-duty drives feature 2% line/load regulation
- Controller features IP23-rated housing and single-turn potentiometer for speed control
- IP21-rated motor features a welded base for mounting or for free-standing use. Compatible with all Micropump® A-mount pump heads on page 62.



75211-20

SELECTION CRITERIA

1. Voltage required.

See specifications for more information.

Order pump heads and drives separately.

DRIVE CONTROLS

- Controls on front panel of drive controller
- Single-turn potentiometer speed control
- Separate power switch with lighted "power-on" indicator

PUMP HEAD COMPATIBILITY

- Use with Micropump A-mount pump heads on page 62

SPECIFICATIONS & ORDERING INFORMATION

ISO9001:2008 CERTIFIED SUPPLIER cUL US CE 2 year warranty

| Catalog number | HL-75211-20 | HL-75211-25 |
|-----------------------------------|--|-------------|
| Performance Specifications | | |
| Flow capacity | 0.68 to 4212 mL/min (0.01 to 66.6 GPH) | |
| rpm | 40 to 3600 | |
| Remote control – Input | No | |
| Physical specifications | | |
| Voltage/Frequency VAC (50/60 Hz) | 115 | 230 |
| Current | 2.3 | 1.2 |
| Motor type | Permanent magnet DC | |
| IP rating [†] | IP21 | |
| Operating temperature | 0 to 40°C (32 to 104°F) | |
| Dimensions | Controller: 17.3 x 8.3 x 13.4 cm (7" x 3¼" x 5¼") Drive: 17.3 x 12.3 x 9.2 cm (6⅜" x 4⅞" x 3⅝") | |
| Shipping weight | 5.9 kg (13 lb) | |

[†]See page 194 for an explanation of IP ratings.



Cole-Parmer® GEAR PUMP SYSTEMS

FEATURES/BENEFITS

- Complete pump system—drive and pump head—with a single catalog number

BENCHTOP ANALOG PUMPS

- Gradual on-second acceleration offers smooth control of drive speed and flow rate
- PMD drive is built to last—excellent for long-term applications
- System includes analog console drive 75211-10 (115 V) or 75211-15 (230 V); see page 64 for drive specifications

BENCHTOP DIGITAL PUMPS

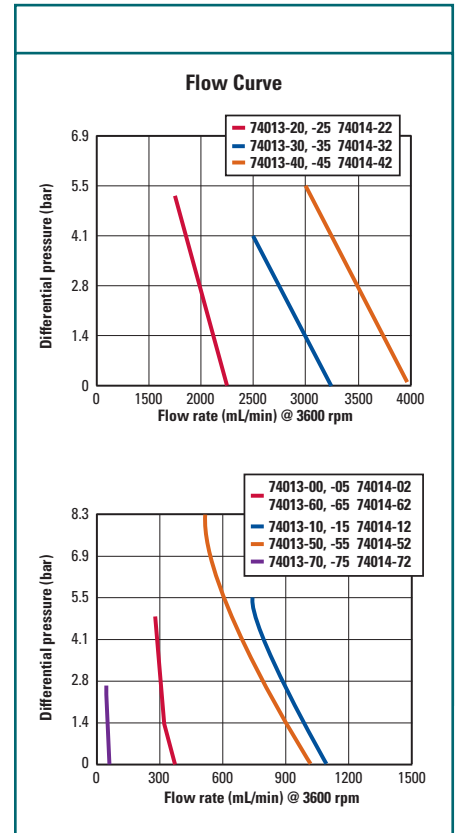
- Calibrate, copy, and dispense features produce precise, pulseless batching and dispensing
- Displacements and flow values for all Micropump® A-mount pump heads are stored in memory
- IP23-rated enclosure protects the internal components
- Controller has a DB15F connection to the optional foot switch for hands-free on/off control (order foot switch separately below)
- System includes digital console drive 75211-30 (115 V) or 75211-35 (230 V); see page 63 for drive specifications



Benchtop analog pump system 74013-40



Benchtop digital pump system 74014-30



MORE INFO

Service kits 07144-42; 74012-02, -42, and -52 include: gears, suction shoe, shaft seals, and springs.

Service kits 74012-12, -22, and -32 include: gears, bushings, and seals.

SPECIFICATIONS & ORDERING INFORMATION

Viscosity: 0.2 to 1500 cp

Suction lift: 59.8 millibar (24" of H₂O) at 1750 rpm

Duty cycle: continuous

Remote control

74013-00 to -65: none
74014-00 to -65: (input) on/off by contact closure 0 to 10 VDC, 0 to 20 mA, 4 to 20 mA, and remote output

Max temperature: 40°C (104°F)

Speed

Analog drives: 50 to 5000 rpm
Digital drives: 60 to 3600 rpm

Dimensions (L x W x H)

Analog drives:
21.6 x 16.2 x 13.8 cm (8½" x 6¾" x 5½")

Digital drives:
19.7 x 29.2 x 18.4 cm (7¾" x 11½" x 7¼")

ISO9001:2008
CERTIFIED SUPPLIER



2 year
warranty

| Flow rates (mL/min) [†] | | | Max pressure | | Port size NPT(F) | Wetted parts | | | Temperature range | Power (VAC) | Benchtop analog pumps | Benchtop digital pumps | Service kits |
|----------------------------------|-----------|-------------|--------------|--------------|------------------|--------------|----------|--------|-----------------------------|-------------|-----------------------------|-----------------------------|-----------------------------|
| mL/rev | at 50 rpm | at 3600 rpm | Diff (bar) | System (bar) | | Body | Gears | Seals | | | Catalog number | Catalog number | Catalog number |
| 0.017 | 0.85 | 85 | 1.37 | 20.68 | ⅛" | 316 SS | Graphite | PTFE | -46 to 177°C (-50 to 350°F) | 115 | HL-74013-70 | HL-74014-70 | HL-07144-42 |
| | | | | | | | | | | 220 | HL-74013-75 | HL-74014-75 | |
| 0.092 | 4.60 | 331.2 | 5.17 | 20.68 | ⅛" | 316 SS | PPS | PTFE | -46 to 177°C (-50 to 350°F) | 115 | HL-74013-00 | HL-74014-00 | HL-74012-02 |
| | | | | | | | | | | 220 | HL-74013-05 | HL-74014-05 | |
| 0.092 | 4.60 | 331.2 | 5.17 | 20.68 | ⅛" | 316 SS | PPS | PPS | -46 to 177°C (-50 to 350°F) | 115 | HL-74013-60 | HL-74014-60 | — |
| | | | | | | | | | | 220 | HL-74013-65 | HL-74014-65 | |
| 0.261 | 13.05 | 939.6 | 8.61 | 20.68 | ⅛" | 316 SS | PEEK | Viton | -46 to 177°C (-50 to 350°F) | 115 | HL-74013-50 | HL-74014-50 | HL-74012-52 |
| | | | | | | | | | | 220 | HL-74013-55 | HL-74014-55 | |
| 0.316 | 15.8 | 1137.6 | 5.17 | 20.68 | ⅛" | 316 SS | PPS | PTFE | -46 to 54°C (-50 to 130°F) | 115 | HL-74013-10 | HL-74014-10 | HL-74012-12 |
| | | | | | | | | | | 220 | HL-74013-15 | HL-74014-15 | |
| 0.64 | 32.0 | 2304 | 5.17 | 20.68 | ⅛" | 316 SS | PPS | PTFE | -46 to 54°C (-50 to 130°F) | 115 | HL-74013-20 | HL-74014-20 | HL-74012-22 |
| | | | | | | | | | | 220 | HL-74013-25 | HL-74014-25 | |
| 0.91 | 45.5 | 3276 | 5.17 | 20.68 | ⅛" | 316 SS | PPS | PTFE | -46 to 54°C (-50 to 130°F) | 115 | HL-74013-30 | HL-74014-30 | HL-74012-32 |
| | | | | | | | | | | 220 | HL-74013-35 | HL-74014-35 | |
| 1.17 | 58.5 | 4212 | 4.13 | 20.68 | ⅛" | 316 SS | PPS | Viton® | -46 to 177°C (-50 to 350°F) | 115 | HL-74013-40 | HL-74014-40 | HL-74012-42 |
| | | | | | | | | | | 220 | HL-74013-45 | HL-74014-45 | |

[†]Flow rates in mL/min are based on water at room temperature and no back pressure.

ACCESSORIES

[HL-07595-42](#) **Foot switch**, for momentary start/stop control. 6-ft cable.

[HL-06385-10](#) **Male pipe adapter (straight)**; PP, ¼"OD x ⅛" NPT(M). Pack of 10.

[HL-30621-31](#) **Male pipe adapter**; HDPE, ⅛" NPT(M) x ¼" ID. Pack of 10.

[HL-40610-36](#) **Male pipe adapter**; natural PP, ⅛" NPT(M) x ¼" ID. Pack of 10.

ISMATEC® MINICARTRIDGE PUMP HEADS



Ismatec®
minicartridge
pump head
07623-00
shown with
Masterflex®
L/S® drive
07528-10

SPECIFICATIONS for Ismatec® Minicartridge Pump Heads

| Catalog number | HL-07623-00 | HL-07623-10 |
|--|----------------------------------|------------------------------------|
| Performance Specifications | | |
| Flow capacity | 0.003 to 195 mL/min (0 to 3 GPH) | 0.002 to 156 mL/min (0 to 2.5 GPH) |
| Max rpm | 600 | |
| Number of rollers | 6 | 8 |
| Number of channels available | Up to 8 | |
| Torque Specifications [single channel pumping water @ 0 psi, 21°C (70°F)] | | |
| PharMed® BPT, Tygon® | Starting torque | 0.86 kg-cm (12 oz-in) |
| | Running torque | 0.7 kg-cm (10 oz-in) |
| Silicone | Starting torque | 0.5 kg-cm (7 oz-in) |
| | Running torque | 0.2 kg-cm (3 oz-in) |
| Physical Specifications | | |
| Housing material | Anodized aluminum | |
| Rotor material | Nylatron® | |
| Shipping weight | 1.9 kg (2 lb) | |

FEATURES/BENEFITS

- ▶ Deliver flow rates from 0.002 to 195 mL/min
- ▶ Click'n'Go™ minicartridges are easy to load and feature spring occlusion
- ▶ Optimum tension; no need for adjustments
- ▶ Accepts three-stop tubing
- ▶ Tubing life is twice as long—when first tubing section fatigues, move to fresh section
- ▶ Adapts easily to OEM applications

SELECTION CRITERIA

- Flow rate.
- Number of rollers:
 - ◆ 6-roller pump head for higher flow rate
 - ◆ 8-roller pump head for smoother flow
- Compatibility with drives.
- Number of channels per drive rpm.

Order tubing and drive separately.

COMPATIBILITY WITH DRIVES

- ▶ Mount on all drives accepting Masterflex® L/S® pump heads

PUMP HEAD SPECIFICATIONS

- ▶ Anodized aluminum frame
- ▶ Nylatron® rollers
- ▶ Nylon minicartridges

PUMP HEAD LOADING

- Thread tubing through cartridge between stops.
- Seat the tubing collar in recessed holder.
- Load cartridge into pump head and adjust occlusion.

MULTICHANNEL CAPABILITIES

Achieve up to eight channels depending on the drive. Minicartridges, mounting hardware, and support foot are included with pump heads.

| Masterflex drive models | Recommended no. of channels |
|----------------------------|--|
| HL-07554-80, -85, -90, -95 | Up to 200 rpm, 8 Up to 400 rpm, 5 Up to 600 rpm, 3 |
| All other L/S models | Up to 200 rpm, 8 Up to 400 rpm, 7 Up to 600 rpm, 6 |

ISO9001:2008
CERTIFIED SUPPLIER

CE 1 year warranty

ORDERING INFORMATION

| Catalog number | No. of rollers | Flow range |
|----------------|----------------|---------------------|
| HL-07623-00 | 6 | 0.003 to 195 mL/min |
| HL-07623-10 | 8 | 0.002 to 156 mL/min |

HL-78016-98 Replacement Click'n'Go™ minicartridge.

THREE-STOP TUBING FLOW RATE & ORDERING INFORMATION

Step 1: See table below for catalog number prefix.

| Three-stop, color-coded tubing | | | | Extension tubing | |
|--------------------------------|---------------------------|--|--------------------------------|---|-----------|
| Cat. no. prefix | Type | Suffixes for the available sizes | Tubes/pk (length) [†] | Cat. no. prefix | Length/pk |
| HL-96450-XX | Tygon® E-LFL | 10, 12, 18, 26, 30, 34, 42, 48 | 12 (16") | HL-06449-XX | 100 ft |
| HL-96458-XX | Tygon® E-Food | | 12 (16") | HL-06457-XX | 100 ft |
| HL-96461-XX | Tygon® E-Lab | | 12 (16") | HL-06460-XX | 100 ft |
| HL-07624-XX | Silicone (peroxide-cured) | 22, 24, 26, 28, 30, 32, 34, 36, 38, 40, 42, 44, 46, 48 | 6 (16") | HL-07625-XX | 50 ft |
| HL-95603-XX | Silicone (platinum-cured) | 22, 24, 26, 28, 30, 32, 34, 36, 38, 40, 42, 44, 46, 48 | 6 (16") | HL-95612-XX | 50 ft |
| HL-97629-XX | Viton® | 26, 30, 34, 38, 42, 46, 48 | 12 (12") | HL-97632-XX | 50 ft |
| HL-95714-XX | PharMed® BPT | 12, 18, 26, 32, 36, 40, 44, 48 | 12 (16") | HL-95809-XX | 100 ft |
| HL-95693-XX | Autoclavable PharMed® BPT | 12, 32, 48 | 6 (16") | HL-95809-XX | 100 ft |
| HL-95605-XX | PVC Solvent/Hydrocarbon | 10, 12, 14, 18, 22, 24, 26, 28, 30, 32, 34, 36, 40, 42, 44, 46, 48 | 12 (16") | HL-95712-XX | 50 ft |
| HL-96425-XX | MHLL | 24, 30, 36, 42, 48 | 6 (16") | None (PharMed BPT recommended for extension tubing; see 95809-XX above) | |

Step 2: Add on suffix to complete the catalog number.

| Catalog number suffix | ID (mm) | Color-coded stops | Flow rates (mL/min) [‡] | | | |
|-----------------------|---------|-------------------|----------------------------------|---------------|---------------------|--------------|
| | | | 1 to 100 rpm drives | | 6 to 600 rpm drives | |
| | | | 6 rollers | 8 rollers | 6 rollers | 8 rollers |
| -10 | 0.19 | Orange/red | 0.003 to 0.32 | 0.002 to 0.26 | 0.030 to 1.2 | 0.002 to 1.0 |
| -12 | 0.25 | Orange/blue | 0.004 to 0.65 | 0.003 to 0.54 | 0.007 to 2.7 | 0.005 to 2.1 |
| -14 | 0.38 | Orange/green | 0.008 to 1.1 | 0.007 to 0.09 | 0.011 to 4.6 | 0.009 to 3.6 |
| -16 | 0.44 | Green/yellow | 0.012 to 1.6 | 0.009 to 1.3 | 0.014 to 5.5 | 0.011 to 4.4 |
| -18 | 0.51 | Orange/yellow | 0.016 to 2.0 | 0.013 to 1.7 | 0.017 to 6.9 | 0.014 to 5.5 |
| -22 | 0.64 | Orange/white | 0.025 to 3.1 | 0.020 to 2.6 | 0.033 to 20 | 0.026 to 15 |
| -24 | 0.76 | Black/black | 0.030 to 3.9 | 0.025 to 3.2 | 0.047 to 28 | 0.037 to 22 |
| -26 | 0.89 | Orange/orange | 0.043 to 5.4 | 0.036 to 4.5 | 0.060 to 36 | 0.048 to 39 |
| -28 | 1.02 | White/white | 0.058 to 7.0 | 0.048 to 5.9 | 0.082 to 4.9 | 0.065 to 39 |
| -30 | 1.14 | Red/red | 0.072 to 8.6 | 0.060 to 7.2 | 0.088 to 53 | 0.071 to 42 |
| -32 | 1.30 | Gray/gray | 0.079 to 10 | 0.066 to 8.6 | 0.11 to 67 | 0.089 to 54 |
| -34 | 1.42 | Yellow/yellow | 0.086 to 12 | 0.072 to 9.9 | 0.14 to 81 | 0.11 to 65 |
| -36 | 1.52 | Blue/blue | 0.10 to 14 | 0.084 to 11 | 0.14 to 85 | 0.11 to 68 |
| -38 | 1.65 | Blue/blue | 0.12 to 15 | 0.096 to 13 | 0.17 to 103 | 0.14 to 82 |
| -40 | 1.85 | Green/green | 0.16 to 20 | 0.13 to 16 | 0.20 to 121 | 0.16 to 97 |
| -42 | 2.06 | Purple/purple | 0.19 to 23 | 0.16 to 19 | 0.23 to 136 | 0.18 to 109 |
| -44 | 2.29 | Purple/black | 0.20 to 24 | 0.17 to 20 | 0.24 to 148 | 0.20 to 118 |
| -46 | 2.54 | Purple/orange | 0.23 to 29 | 0.19 to 24 | 0.29 to 173 | 0.23 to 138 |
| -48 | 2.79 | Purple/white | 0.26 to 32 | 0.22 to 27 | 0.32 to 195 | 0.26 to 156 |

[†]Length of assembly may vary by ±1".

[‡]Flow rates (mL/min) are nominal. Actual flow rates will depend on occlusion, fluid viscosity, pressure, etc.



VALVELESS PISTON PUMP HEADS

FEATURES/BENEFITS

- ▶ Deliver flow rate from 0.08 to 432 mL/min
- ▶ Ideal for dispensing and metering
- ▶ No valves to clog or wear
- ▶ Sensitive mechanical stroke length adjustment is accurate to within ±1%
- ▶ Maximum viscosity: 500 centipoise
- ▶ Maximum pressure: 6.9 bar (100 psi)
- ▶ Low dead volume; self-priming
- ▶ 3A-approved sanitary models available
- ▶ Build your own pump systems using interchangeable heads, drives, and accessories

SELECTION CRITERIA

1. Flow rate.
2. Piston diameter.
3. Construction material.

Order pump head, adapter kit, drive, and tubing separately.

COMPATIBILITY WITH DRIVES

- ▶ Mount on Masterflex® L/S® drives using optional Adapter Kit
- ▶ Depending on setup, drive may need to be elevated for proper adapter use.

PUMP HEAD SPECIFICATIONS

Stainless steel (SS) and ceramic models

- ▶ Handle temperatures to 177°C (350°F)
- ▶ Kynar® PVDF cylinder body available



MASTERFLEX® L/S® ADAPTER KIT

This adapter kit is required to convert your L/S drive for use with these valveless piston pump heads. Pump heads have adjustable stroke length to adjust flow rate, allowing you to convert your fixed-speed drive into a variable-flow pump.



Mounting hardware included in the adapter kit.

| Catalog number | Description | Includes |
|-----------------------------|----------------------------|--|
| HL-07104-48 | Masterflex L/S adapter kit | All necessary mounting hardware and fittings |

ORDERING INFORMATION for Valveless Piston Pump Heads

| Catalog number | Max flow rate (mL/min) at various rpm (vary flow rate by adjusting rpm or stroke length) | | Max bar | Max temperature | Piston diameter | Materials of construction | | | Shpg wt kg (lb) |
|--|--|----------------|---------|-----------------|-----------------|---------------------------|---------------|----------------|-----------------|
| | 1 to 100 rpm | 6 to 600 rpm | | | | Piston | Cylinder body | Cylinder liner | |
| Standard high-flow pump heads | | | | | | | | | |
| HL-07104-50 | 0.08 to 8.00 | 0.48 to 48.00 | 6.8 | 60°C (140°F) | 1/8" | 316 SS | 316 SS | Carbon | 0.6 (1.3) |
| HL-07104-52 | | | 4.1 | | | | | | 0.3 (0.7) |
| HL-07117-26 | 0.32 to 32.00 | 1.92 to 192.00 | 4.1 | 60°C (140°F) | 1/4" | 316 SS | Kynar PVDF | Carbon | 0.4 (0.8) |
| HL-07104-62 | | | 6.8 | | | | | | 0.5 (1.1) |
| HL-07104-54 | 0.32 to 32.00 | 1.92 to 192.00 | 4.1 | 100°C (212°F) | 1/4" | Ceramic | Kynar PVDF | Ceramic | 0.4 (0.8) |
| HL-07104-58 | | | 6.8 | | | | | | 0.6 (1.2) |
| HL-07104-56 | 0.32 to 32.00 | 1.92 to 192.00 | 6.8 | 177°C (350°F) | 1/4" | Ceramic | 316 SS | Ceramic | 0.6 (1.2) |
| HL-07104-60 | | | 4.1 | | | | | | 0.5 (1.1) |
| HL-07117-28 | 0.72 to 72.00 | 4.32 to 432.00 | 4.1 | 60°C (140°F) | 3/8" | 316 SS | Kynar PVDF | Carbon | 0.5 (1.1) |
| HL-07104-72 | | | 6.8 | | | | | | 0.5 (1.1) |
| HL-07104-64 | 0.72 to 72.00 | 4.32 to 432.00 | 4.1 | 100°C (212°F) | 3/8" | Ceramic | Kynar PVDF | Ceramic | 0.4 (0.8) |
| HL-07104-68 | | | 6.8 | | | | | | 0.5 (1.1) |
| HL-07104-66 | 0.72 to 72.00 | 4.32 to 432.00 | 6.8 | 177°C (350°F) | 3/8" | Ceramic | 316 SS | Ceramic | 0.5 (1.1) |
| HL-07104-70 | | | 4.1 | | | | | | 0.5 (1.1) |
| Sanitary high-flow pump heads; meet 3A Sanitary Standard Q2-08A1 for use with foods | | | | | | | | | |
| HL-07117-20 | 0.32 to 32.00 | 1.92 to 192.00 | 6.8 | 177°C (350°F) | 1/4" | Ceramic | 316 SS | Ceramic | 0.5 (1.1) |
| HL-07117-22 | 0.72 to 72.00 | 4.32 to 432.00 | | | 3/8" | | | | |

ACCESSORIES

Kynar® PVDF Tubing Adapters (for 1/4" OD compression fittings)

| Cat. no. (each) | Description |
|-----------------------------|---------------------------|
| HL-07115-81 | For 1/8" ID tubing |
| HL-07115-83 | For 1/4" ID tubing |
| HL-07115-88 | For 3/8" ID tubing |
| HL-07115-89 | For 1/4"-28 female thread |
| HL-07115-97 | For 1/8" OD tubing |



L/S® TUBING 68–73
 L/S® DRIVES 74–107
 L/S® PUMP SYSTEMS..... 108–117

ACCESSORIES..... 160–171

TECHNICAL DATA 172–206







L/S® PRECISION PUMP TUBING

- Ensure optimal performance from your Masterflex pump
- Custom extruded to fit Masterflex pumps
- Engineered for long life in peristaltic pump applications
- Lot-to-lot consistency provides superior accuracy and repeatability

Masterflex L/S pump tubing is manufactured to extremely close tolerances that match our L/S pump heads, ensuring accurate, repeatable flow and long tubing life. Our pump tubing is factory-tested and optically inspected to provide the best performance from your peristaltic pump. With 21 different materials available, there is an L/S pump tubing formulation suitable for nearly any fluid handling application.

Our High-performance Precision pump tubing features a thicker wall compared to our Precision pump tubing, making it the best choice for applications involving pressure, suction lift, viscous fluids, or long tubing life. See pages 70–71 to order.

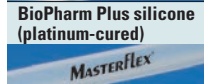
SPECIFICATIONS

| Pump tubing cross sections | L/S Precision pump tubing | | | | | |
|---|---|---|---|--|---|---|
| |  |  |  |  |  |  |
| | L/S 13 | L/S 14 | L/S 16 | L/S 25 | L/S 17 | L/S 18 |
| Inside diameter (nominal) | 0.8 mm (0.03") | 1.6 mm (0.06") | 3.1 mm (0.12") | 4.8 mm (0.19") | 6.4 mm (0.25") | 7.9 mm (0.31") |
| Hose barb size | 1.6 mm (1/16") | 1.6 mm (1/16") | 3.2 mm (1/8") | 4.8 mm (3/16") | 6.4 mm (1/4") | 9.5 mm (3/8") |
| Flow range (approximate) [†] with 1 to 600 rpm drive | 0.06 to 36 mL/min | 0.21 to 130 mL/min | 0.8 to 480 mL/min | 1.7 to 1000 mL/min | 2.8 to 1700 mL/min | 3.8 to 2300 mL/min |
| Maximum pressure [‡] | 2.7 bar (40 psig) | | | 2.4 bar (35 psig) | 1.4 bar (20 psig) | 1.0 bar (15 psig) |
| Maximum vacuum [‡] | 660 mm Hg (26" Hg) | | | 510 mm Hg (20" Hg) | | |
| Suction lift [‡] | 8.8 m H ₂ O (29 ft H ₂ O) | | | 6.7 m H ₂ O (22 ft H ₂ O) | | |

[†]Determined under the following conditions: 0 psi at inlet, 0.5 psi at outlet; water temperature at 22°C (72°F). values shown are for firm tubing. Value for GORE® pump tubing is 4.1 bar (60 psi) continuous.

[‡]Actual performance varies depending on tubing formulation—

ORDERING INFORMATION

| Pump tubing formulation | L/S Pump Head Compatibility | | | | | L/S 13 | L/S 14 | L/S 16 | L/S 25 | L/S 17 | L/S 18 |
|--|-----------------------------|------------|--------------|-------------|------------------------|---|---|---|---|---|---|
| | Standard | Easy-Load® | Easy-Load II | Easy-Load 3 | Multichannel Cartridge | | | | | | |
|  Silicone (platinum-cured) | ✓ | ✓ | ✓ | ✓ | ✓ | HL-96410-13 7.6 m (25 ft)/pk | HL-96410-14 7.6 m (25 ft)/pk | HL-96410-16 7.6 m (25 ft)/pk | HL-96410-25 7.6 m (25 ft)/pk | HL-96410-17 7.6 m (25 ft)/pk | HL-96410-18 7.6 m (25 ft)/pk |
|  Silicone (peroxide-cured) | ✓ | ✓ | ✓ | ✓ | ✓ | HL-96400-13 7.6 m (25 ft)/pk | HL-96400-14 7.6 m (25 ft)/pk | HL-96400-16 7.6 m (25 ft)/pk | HL-96400-25 7.6 m (25 ft)/pk | HL-96400-17 7.6 m (25 ft)/pk | HL-96400-18 7.6 m (25 ft)/pk |
|  BioPharm silicone (platinum-cured) | ✓ | ✓ | ✓ | ✓ | ✓ | HL-96420-13 7.6 m (25 ft)/pk | HL-96420-14 7.6 m (25 ft)/pk | HL-96420-16 7.6 m (25 ft)/pk | HL-96420-25 7.6 m (25 ft)/pk | HL-96420-17 7.6 m (25 ft)/pk | HL-96420-18 7.6 m (25 ft)/pk |
|  BioPharm Plus silicone (platinum-cured) | ✓ | ✓ | ✓ | ✓ | ✓ | HL-96440-13 7.6 m (25 ft)/pk | HL-96440-14 7.6 m (25 ft)/pk | HL-96440-16 7.6 m (25 ft)/pk | HL-96440-25 7.6 m (25 ft)/pk | HL-96440-17 7.6 m (25 ft)/pk | HL-96440-18 7.6 m (25 ft)/pk |
|  Puri-Flex™ | ✓ | ✓ | ✓ | ✓ | ✓ | HL-96419-13 7.6 m (25 ft)/pk | HL-96419-14 7.6 m (25 ft)/pk | HL-96419-16 7.6 m (25 ft)/pk | HL-96419-25 7.6 m (25 ft)/pk | HL-96419-17 7.6 m (25 ft)/pk | HL-96419-18 7.6 m (25 ft)/pk |
|  C-Flex® | ✓ | ✓ | ✓ | ✓ | ✓ | HL-06424-13 7.6 m (25 ft)/pk | HL-06424-14 7.6 m (25 ft)/pk | HL-06424-16 7.6 m (25 ft)/pk | HL-06424-25 7.6 m (25 ft)/pk | HL-06424-17 7.6 m (25 ft)/pk | HL-06424-18 7.6 m (25 ft)/pk |
|  C-Flex® ULTRA | ✓ | ✓ | ✓ | ✓ | ✓ | — | HL-06434-14 7.6 m (25 ft)/pk | HL-06434-16 7.6 m (25 ft)/pk | HL-06434-25 7.6 m (25 ft)/pk | HL-06434-17 7.6 m (25 ft)/pk | HL-06434-18 7.6 m (25 ft)/pk |
|  PharMed® BPT | ✓ | ✓ | ✓ | ✓ | ✓ | HL-06508-13 7.6 m (25 ft)/pk | HL-06508-14 7.6 m (25 ft)/pk | HL-06508-16 7.6 m (25 ft)/pk | HL-06508-25 7.6 m (25 ft)/pk | HL-06508-17 7.6 m (25 ft)/pk | HL-06508-18 7.6 m (25 ft)/pk |
|  PharmaPure® | ✓ | ✓ | | | | HL-06435-13 7.6 m (25 ft)/pk | HL-06435-14 7.6 m (25 ft)/pk | HL-06435-16 7.6 m (25 ft)/pk | HL-06435-25 7.6 m (25 ft)/pk | HL-06435-17 7.6 m (25 ft)/pk | HL-06435-18 7.6 m (25 ft)/pk |



SEE PAGES 20 TO 24

For detailed formulation descriptions and specifications.

ORDERING INFORMATION

| Pump tubing formulation | L/S Pump Head Compatibility | | | | | L/S 13 | L/S 14 | L/S 16 | L/S 25 | L/S 17 | L/S 18 |
|------------------------------------|-----------------------------|------------|--------------|-------------|-------------------------|--|--|--|--|--|--|
| | Standard | Easy-Load® | Easy-Load II | Easy-Load 3 | Multi-channel Cartridge | | | | | | |
| Chem-Durance® Bio | | ✓ | ✓ | | | HL-06442-13 15.2 m (50 ft)/pk | HL-06442-14 15.2 m (50 ft)/pk | HL-06442-16 15.2 m (50 ft)/pk | HL-06442-25 15.2 m (50 ft)/pk | HL-06442-17 15.2 m (50 ft)/pk | HL-06442-18 15.2 m (50 ft)/pk |
| Tygon® E-LFL | NEW ✓ | ✓ | ✓ | ✓ | ✓ | HL-06440-13 7.6 m (25 ft)/pk | HL-06440-14 7.6 m (25 ft)/pk | HL-06440-16 7.6 m (25 ft)/pk | HL-06440-25 7.6 m (25 ft)/pk | HL-06440-17 7.6 m (25 ft)/pk | HL-06440-18 7.6 m (25 ft)/pk |
| Tygon® E-Food (B-44-4X) | NEW ✓ | ✓ | ✓ | ✓ | ✓ | HL-06418-13 15.2 m (50 ft)/pk | HL-06418-14 15.2 m (50 ft)/pk | HL-06418-16 15.2 m (50 ft)/pk | HL-06418-25 15.2 m (50 ft)/pk | HL-06418-17 15.2 m (50 ft)/pk | HL-06418-18 15.2 m (50 ft)/pk |
| Tygon® E-Lab (E-3603) | NEW ✓ | ✓ | ✓ | ✓ | ✓ | HL-06509-13 15.2 m (50 ft)/pk | HL-06509-14 15.2 m (50 ft)/pk | HL-06509-16 15.2 m (50 ft)/pk | HL-06509-25 15.2 m (50 ft)/pk | HL-06509-17 15.2 m (50 ft)/pk | HL-06509-18 15.2 m (50 ft)/pk |
| Tygon® Fuel & Lubricant (F-4040-A) | ✓ | ✓ | ✓ | ✓ | ✓ | HL-06401-13 15.2 m (50 ft)/pk | HL-06401-14 15.2 m (50 ft)/pk | HL-06401-16 15.2 m (50 ft)/pk | HL-06401-25 15.2 m (50 ft)/pk | HL-06401-17 15.2 m (50 ft)/pk | HL-06401-18 15.2 m (50 ft)/pk |
| Tygon® Chemical (2001) | | ✓ | ✓ | | | HL-06475-13 15.2 m (50 ft)/pk | HL-06475-14 15.2 m (50 ft)/pk | HL-06475-16 15.2 m (50 ft)/pk | HL-06475-25 15.2 m (50 ft)/pk | HL-06475-17 15.2 m (50 ft)/pk | HL-06475-18 15.2 m (50 ft)/pk |
| Norprene® (A 60 G) | ✓ | ✓ | ✓ | ✓ | ✓ | HL-06404-13 15.2 m (50 ft)/pk | HL-06404-14 15.2 m (50 ft)/pk | HL-06404-16 15.2 m (50 ft)/pk | HL-06404-25 15.2 m (50 ft)/pk | HL-06404-17 15.2 m (50 ft)/pk | HL-06404-18 15.2 m (50 ft)/pk |
| Norprene® Food (A 60 F) | ✓ | ✓ | ✓ | ✓ | ✓ | HL-06402-13 15.2 m (50 ft)/pk | HL-06402-14 15.2 m (50 ft)/pk | HL-06402-16 15.2 m (50 ft)/pk | HL-06402-25 15.2 m (50 ft)/pk | HL-06402-17 15.2 m (50 ft)/pk | HL-06402-18 15.2 m (50 ft)/pk |
| GORE® Style 100SC | ✓ | ✓ | ✓ | | | — | HL-96190-14 30.5 cm (12")/pk | HL-96190-16 30.5 cm (12")/pk | HL-96190-25 30.5 cm (12")/pk | HL-96190-17 30.5 cm (12")/pk | HL-96190-18 30.5 cm (12")/pk |
| GORE® Style 500 | ✓ | ✓ | ✓ | | | — | HL-96191-14 30.5 cm (12")/pk | HL-96191-16 30.5 cm (12")/pk | HL-96191-25 30.5 cm (12")/pk | HL-96191-17 30.5 cm (12")/pk | HL-96191-18 30.5 cm (12")/pk |
| GORE® Style 400 | ✓ | ✓ | ✓ | | | — | — | HL-06439-16 30.5 cm (12")/pk | — | HL-06439-17 30.5 cm (12")/pk | — |
| Viton® | ✓ | ✓ | ✓ | ✓ | ✓ | HL-96412-13 7.6 m (25 ft)/pk | HL-96412-14 7.6 m (25 ft)/pk | HL-96412-16 7.6 m (25 ft)/pk | HL-96412-25 7.6 m (25 ft)/pk | HL-96412-17 7.6 m (25 ft)/pk | HL-96412-18 7.6 m (25 ft)/pk |



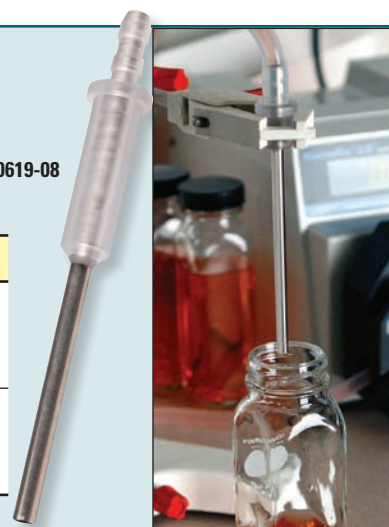
FILLER/DISPENSING NOZZLES

- ▶ Maximize the speed, precision, and accuracy of dispensing and filling applications
- ▶ Minimize splashing and dripping when dispensing into narrow- or wide-mouth containers
- ▶ Dimensional tolerances of ±0.05% for assured repeatability

These nozzles combine the ease of plastic components with the accuracy and reliability of stainless steel filler needles. Tight dimensional tolerances help to ensure precision in your dispensing applications. Nozzles feature a 316L stainless steel tube and a polycarbonate base with hose barb adapter. Materials comply with FDA, USDA and USP Class VI requirements. All filler nozzles are sterilizable by ethylene oxide, autoclaving, or gamma irradiation.

| Catalog number | Tubing ID | Fits Masterflex® tubing sizes |
|-----------------------------|-----------|---------------------------------|
| HL-30619-06 | 1/32" | L/S® 13 |
| HL-30619-01 | 1/16" | L/S 14 |
| HL-30619-07 | 1/8" | L/S 16 |
| HL-30619-02 | 3/16" | L/S 15, 25 |
| HL-30619-08 | 1/4" | L/S 17, 24; I/P® 26 |
| HL-30619-03 | 5/16" | L/S 35 |
| HL-30619-09 | 3/8" | L/S 18, 36; I/P 70, 73; B/T® 86 |
| HL-30619-04 | 1/2" | I/P 82, 88; B/T 87 |
| HL-30619-10 | 5/8" | I/P 89 |
| HL-30619-05 | 3/4" | B/T 91 |

30619-08







L/S® HIGH-PERFORMANCE PRECISION PUMP TUBING

- Ensure optimal performance from your Masterflex pump
- Custom extruded to fit Masterflex pumps
- Engineered for long life in peristaltic pump applications
- Lot-to-lot consistency provides superior accuracy and repeatability

Masterflex L/S pump tubing is manufactured to extremely close tolerances that match our L/S pump heads, ensuring accurate, repeatable flow and long tubing life. Our pump tubing is factory-tested and optically inspected to provide the best performance from your peristaltic pump. With 21 different materials available, there is an L/S pump tubing formulation suitable for nearly any fluid handling application.


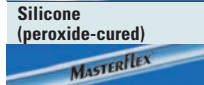

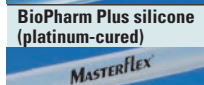





Our High-performance Precision pump tubing features a thicker wall compared to our Precision pump tubing, making it the best choice for applications involving pressure, suction lift, viscous fluids, or long tubing life.

SPECIFICATIONS

| Pump tubing cross sections | L/S High-performance Precision pump tubing | | | |
|--|---|---|---|---|
| |  |  |  |  |
| | L/S 15 | L/S 24 | L/S 35 | L/S 36 |
| Inside diameter (nominal) | 4.8 mm (0.19") | 6.4 mm (0.25") | 7.9 mm (0.31") | 9.7 mm (0.38") |
| Hose barb size | 4.8 mm (3/16") | 6.4 mm (1/4") | 9.5 mm (3/8") | 9.5 mm (3/8") |
| Flow range (approximate) [†] with 1 to 600 rpm drive Value in () obtained with High-Performance pump head | 1.7 to 1000 mL/min (1.8 to 1100 mL/min) | 2.8 to 1700 mL/min (3.0 to 1800 mL/min) | 3.8 to 2300 mL/min (4.3 to 2600 mL/min) | 4.8 to 2900 mL/min (5.8 to 3400 mL/min) |
| Maximum pressure [‡] | 2.7 bar (40 psig) | | 2.4 bar (35 psig) | 1.4 bar (20 psig) |
| Maximum vacuum [‡] | 660 mm Hg (26" Hg) | | | 610 mm Hg (24" Hg) |
| Suction lift [‡] | 8.8 m H ₂ O (29 ft H ₂ O) | | | 8.3 m H ₂ O (27 ft H ₂ O) |

[†]Determined under the following conditions: 0 psi at inlet, 0.5 psi at outlet; water temperature at 22°C (72°F).
[‡]Actual performance varies depending on tubing formulation—values shown are for firm tubing. Value for GORE® pump tubing is 4.1 bar (60 psi) continuous.

ORDERING INFORMATION

| Pump tubing formulation | L/S Pump Head Compatibility | | | | | L/S 15 | L/S 24 | L/S 35 | L/S 36 |
|--|-----------------------------|------------|--------------|-------------|------------------|---|---|---|---|
| | Standard | Easy-Load® | Easy-Load II | Easy-Load 3 | High-Performance | | | | |
|  Silicone (platinum-cured) | ✓ | ✓ | ✓ | ✓ | ✓ | HL-96410-15 7.6 m (25 ft)/pk | HL-96410-24 7.6 m (25 ft)/pk | HL-96410-35 7.6 m (25 ft)/pk | HL-96410-36 7.6 m (25 ft)/pk |
|  Silicone (peroxide-cured) | ✓ | ✓ | ✓ | ✓ | ✓ | HL-96400-15 7.6 m (25 ft)/pk | HL-96400-24 7.6 m (25 ft)/pk | HL-96400-35 7.6 m (25 ft)/pk | HL-96400-36 7.6 m (25 ft)/pk |
|  BioPharm silicone (platinum-cured) | ✓ | ✓ | ✓ | ✓ | ✓ | HL-96420-15 7.6 m (25 ft)/pk | HL-96420-24 7.6 m (25 ft)/pk | HL-96420-35 7.6 m (25 ft)/pk | HL-96420-36 7.6 m (25 ft)/pk |
|  BioPharm Plus silicone (platinum-cured) | ✓ | ✓ | ✓ | ✓ | ✓ | HL-96440-15 7.6 m (25 ft)/pk | HL-96440-24 7.6 m (25 ft)/pk | HL-96440-35 7.6 m (25 ft)/pk | HL-96440-36 7.6 m (25 ft)/pk |
|  Puri-Flex™ | ✓ | ✓ | ✓ | ✓ | ✓ | HL-96419-15 7.6 m (25 ft)/pk | HL-96419-24 7.6 m (25 ft)/pk | HL-96419-35 7.6 m (25 ft)/pk | HL-96419-36 7.6 m (25 ft)/pk |
|  C-Flex® | ✓ | ✓ | ✓ | ✓ | ✓ | HL-06424-15 7.6 m (25 ft)/pk | HL-06424-24 7.6 m (25 ft)/pk | HL-06424-35 7.6 m (25 ft)/pk | HL-06424-36 7.6 m (25 ft)/pk |
|  C-Flex® ULTRA | ✓ | ✓ | ✓ | ✓ | ✓ | HL-06434-15 7.6 m (25 ft)/pk | HL-06434-24 7.6 m (25 ft)/pk | HL-06434-35 7.6 m (25 ft)/pk | HL-06434-36 7.6 m (25 ft)/pk |
|  PharMed® BPT | ✓ | ✓ | ✓ | ✓ | ✓ | HL-06508-15 7.6 m (25 ft)/pk | HL-06508-24 7.6 m (25 ft)/pk | HL-06508-35 7.6 m (25 ft)/pk | HL-06508-36 7.6 m (25 ft)/pk |
|  PharmaPure® | | ✓ | ✓ | | | HL-06435-15 7.6 m (25 ft)/pk | HL-06435-24 7.6 m (25 ft)/pk | — | — |



ORDERING INFORMATION

| Pump tubing formulation | L/S Pump Head Compatibility | | | | | L/S 15 | L/S 24 | L/S 35 | L/S 36 |
|--|-----------------------------|------------|--------------|-------------|------------------|--|---|--|--|
| | Standard | Easy-Load® | Easy-Load II | Easy-Load 3 | High-Performance | | | | |
| Chem-Durance® Bio  | | ✓ | ✓ | | | HL-06442-15 15.2 m (50 ft)/pk | HL-06442-24 15.2 m (50 ft)/pk | HL-06442-35 15.2 m (50 ft)/pk | HL-06442-36 15.2 m (50 ft)/pk |
| Tygon® E-LFL NEW  | ✓ | ✓ | ✓ | ✓ | ✓ | HL-06440-15 7.6 m (25 ft)/pk | HL-06440-24 7.6 m (25 ft)/pk | HL-06440-35 7.6 m (25 ft)/pk | HL-06440-36 7.6 m (25 ft)/pk |
| Tygon® E-Food (B-44-4X) NEW  | | ✓ | ✓ | ✓ | ✓ | HL-06418-15 15.2 m (50 ft)/pk | HL-06418-24 15.2 m (50 ft)/pk | HL-06418-35 15.2 m (50 ft)/pk | HL-06418-36 15.2 m (50 ft)/pk |
| Tygon® E-Lab (E-3603) NEW  | ✓ | ✓ | ✓ | ✓ | ✓ | HL-06509-15 15.2 m (50 ft)/pk | HL-06509-24 15.2 m (50 ft)/pk | HL-06509-35 15.2 m (50 ft)/pk | HL-06509-36 15.2 m (50 ft)/pk |
| Tygon® Fuel & Lubricant (F-4040-A)  | ✓ | ✓ | ✓ | ✓ | ✓ | HL-06401-15 15.2 m (50 ft)/pk | HL-06401-24 15.2 m (50 ft)/pk | HL-06401-35 15.2 m (50 ft)/pk | HL-06401-36 15.2 m (50 ft)/pk |
| Tygon® Chemical (2001)  | | ✓ | ✓ | | | HL-06475-15 15.2 m (50 ft)/pk | HL-06475-24 15.2 m (50 ft)/pk | — | — |
| Norprene® (A 60 G)  | ✓ | ✓ | ✓ | ✓ | ✓ | HL-06404-15 15.2 m (50 ft)/pk | HL-06404-24 15.2 m (50 ft)/pk | HL-06404-35 15.2 m (50 ft)/pk | HL-06404-36 15.2 m (50 ft)/pk |
| Norprene® Food (A 60 F)  | ✓ | ✓ | ✓ | ✓ | ✓ | HL-06402-15 15.2 m (50 ft)/pk | HL-06402-24 15.2 m (50 ft)/pk | HL-06402-35 15.2 m (50 ft)/pk | HL-06402-36 15.2 m (50 ft)/pk |
| GORE® Style 100SC  | ✓ | ✓ | ✓ | | ✓ | HL-96190-15 35.6 cm (14")/pk | HL-96190-24 35.6 cm (14")/pk | HL-96190-35 35.6 cm (14")/pk | — |
| GORE® Style 500  | ✓ | ✓ | ✓ | | ✓ | HL-96191-15 35.6 cm (14")/pk | HL-96191-24 35.6 cm (14")/pk | HL-96191-35 35.6 cm (14")/pk | — |
| GORE® Style 400  | ✓ | ✓ | ✓ | | ✓ | HL-06439-15 35.6 cm (14")/pk | HL-06439-24 34.2 cm (13.5")/pk | HL-06439-35 35.6 cm (14")/pk | HL-06439-36 35.6 cm (14")/pk |
| Viton®  | ✓ | ✓ | ✓ | ✓ | ✓ | HL-96412-15 7.6 m (25 ft)/pk | HL-96412-24 7.6 m (25 ft)/pk | HL-96412-35 7.6 m (25 ft)/pk | HL-96412-36 7.6 m (25 ft)/pk |



BASKET-TIP FILLER NOZZLES

- ▶ Reduce foaming and splashing
- ▶ Lower costs for cleaning, sterilization, and validation

These nozzles offer the benefits of the standard filler/dispensing nozzles by combining the ease of single-use plastic components with the accuracy and reliability of stainless steel filler needles. Plus, nozzles feature a basket tube tip that has two outlets angled at 10° to split the flow into two streams, forcing the fluid to gently cascade down the sides of your container. This basket tip is especially useful for liquids that have issues with foaming or splashing and/or maintaining a fluid column.

Tight dimensional tolerances help to ensure precision in your dispensing applications. Nozzles feature a 316L stainless steel tube and a base with hose barb adapter. Materials comply with FDA, USDA and USP Class VI requirements. All filler nozzles are sterilizable by ethylene oxide, autoclaving, or gamma irradiation.

| Catalog number | Tubing ID | Fits Masterflex® tubing sizes |
|-----------------------------|-----------|-------------------------------|
| HL-30619-11 | 1/16" | L/S® 14 |
| HL-30619-17 | 1/8" | L/S 16 |
| HL-30619-12 | 3/16" | L/S 15, 25 |
| HL-30619-18 | 1/4" | L/S 17, 24, I/P® 26 |
| HL-30619-13 | 5/16" | L/S 35 |
| HL-30619-19 | 3/8" | L/S 18, 36, I/P 70, 73 |
| HL-30619-15 | 3/4" | B/T® 91 |

NEW



L/S® SANITARY PUMP TUBING ASSEMBLIES

FEATURES/BENEFITS

- Meets stringent demands of biotechnology, pharmaceutical, and the food, beverage, and dairy processing industries
- Smooth, pre-molded tubing ends allow quick connection to an adapter or to another length of sanitary tubing
- Connectors help maintain cleanliness and purity of your fluids
- Sanitary tubing is less thermally conductive than metallic tubing systems and not subject to galvanic action, RFI, or EMI
- All L/S platinum-cured silicone and PharMed® BPT sanitary tubing complies with USP Class VI and FDA standards
- FREE Certificate of resin or elastomer Compliance is available upon request

Platinum-cured silicone tubing with premolded 1/2" mini connections



HOW TO CONNECT TUBING

- Each length of tubing features pre-molded ends. Tubing with 1/2" mini-connections uses molded-in gasket at one end to ensure quality seal.
- Pre-molded ends allow quick connection to an adapter or additional length of sanitary tubing. Order adapters below, right.
- Join 1/2" mini-connection to another 1/2" mini-connection, adapter, or to your system with a push/pull clamp.

HOW TO ORDER

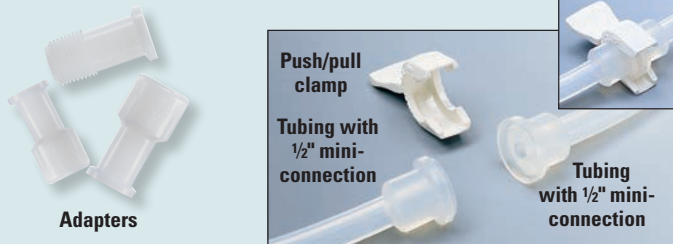
- Order your desired tubing formulation and length. Choose tubing size based on flow range (see "Specifications" on pages 66 and 68).
- Order PVDF push/pull clamp (separately below).
- Order silicone or Viton® gaskets as needed to connect to your system or to adapters.
- Select sanitary adapters as needed.



ORDERING INFORMATION

| Tubing size | Platinum-cured silicone (96410-series) 1.5-m (5-ft) length | Platinum-cured silicone (96410-series) 3-m (10-ft) length | PharMed BPT (06508-series) 1.5-m (5-ft) length | PharMed BPT (06508-series) 3-m (10-ft) length |
|--|---|--|---|--|
| | Catalog number | Catalog number | Catalog number | Catalog number |
| L/S Precision sanitary pump tubing | | | | |
| L/S 13 | HL-96100-13 | HL-96101-13 | HL-96112-13 | HL-96113-13 |
| L/S 14 | HL-96100-14 | HL-96101-14 | HL-96112-14 | HL-96113-14 |
| L/S 16 | HL-96100-16 | HL-96101-16 | HL-96112-16 | HL-96113-16 |
| L/S 25 | HL-96100-25 | HL-96101-25 | HL-96112-25 | HL-96113-25 |
| L/S 17 | HL-96100-17 | HL-96101-17 | HL-96112-17 | HL-96113-17 |
| L/S 18 | HL-96100-18 | HL-96101-18 | HL-96112-18 | HL-96113-18 |
| L/S High-performance Precision sanitary pump tubing | | | | |
| L/S 15 | HL-96100-15 | HL-96101-15 | HL-96112-15 | HL-96113-15 |
| L/S 24 | HL-96100-24 | HL-96101-24 | HL-96112-24 | HL-96113-24 |
| L/S 35 | — | — | HL-96112-35 | HL-96113-35 |
| L/S 36 | — | — | HL-96112-36 | HL-96113-36 |

ACCESSORIES FOR L/S SANITARY PUMP TUBING



HL-31201-88 Push/pull clamp, PVDF. For quick joining of two 1/2" mini connections.

Gaskets. Order gaskets to join 1/2" mini connection without molded-in gasket to another 1/2" mini connection without molded-in gasket or to an adapter (sold separately at right).

HL-30548-00 Silicone gasket for use with sanitary silicone (platinum-cured) tubing. Pack of 10.

HL-30548-20 Viton® gasket for use with sanitary PharMed® BPT tubing. Pack of 10.

ADAPTER ORDERING INFORMATION

| Adapter connections | Polypropylene | PVDF |
|-------------------------------|-----------------------------|-----------------------------|
| | Catalog number | Catalog number |
| 1/2" mini to 1/8" NPT(M) | HL-31200-00 | HL-31201-00 |
| 1/2" mini to 1/8" NPT(F) | HL-31200-10 | — |
| 1/2" mini to 1/4" NPT(M) | HL-31200-01 | HL-31201-01 |
| 1/2" mini to 1/4" NPT(F) | HL-31200-11 | HL-31201-11 |
| 1/2" mini to 1/4" hose barb | HL-31805-25 | HL-31808-25 |
| 1/2" mini to 3/8" NPT(M) | HL-31200-02 | HL-31201-02 |
| 1/2" mini to 3/8" NPT(F) | HL-31200-12 | HL-31201-12 |
| 1/2" mini to 3/8" hose barb | HL-31805-26 | HL-31808-26 |
| 1/2" mini to 1/2" NPT(M) | HL-31200-03 | HL-31201-03 |
| 1/2" mini to 1/2" NPT(F) | HL-31200-13 | HL-31201-13 |
| 1/2" mini to 1/2" hose barb | HL-31805-27 | — |
| 1/2" mini to 1" maxi | HL-31200-30 | — |
| 1/2" mini to 1" lardish | HL-31805-05 | HL-31201-40 |
| 1/2" mini to female luer lock | HL-31200-50 | HL-31201-50 |

L/S® SPOOLED PUMP TUBING

- ▶ Eliminate waste by cutting the exact length to fit your application
- ▶ Cost-effective, efficient, and convenient
- ▶ Up to 152.4 m (500 ft) of tubing (depending on tubing size) on each spool.
- ▶ Always have enough tubing on hand
- ▶ Save space and shipping costs
- ▶ Good choice for applications requiring long, continuous runs of tubing, or which use odd-size lengths that generate scrap when using standard 7.6- or 15.2-m (25- or 50-ft) coils



Save Money and Reduce Downtime!

96403-15

ORDERING INFORMATION

| Tubing size | Peroxide-cured silicone (96400-series) | | Platinum-cured silicone (96410-series) | | PharMed® BPT (06508-series) | | BioPharm Silicone (96420-series) | | C-Flex® (06424-series) | | Norprene® Food (06402-series) | |
|-------------|--|-----------------------------|--|-----------------------------|-----------------------------|-----------------------------|----------------------------------|-----------------------------|------------------------|-----------------------------|-------------------------------|-----------------------------|
| | m (ft) | Catalog number | m (ft) | Catalog number | m (ft) | Catalog number | m (ft) | Catalog number | m (ft) | Catalog number | m (ft) | Catalog number |
| L/S 13 | 76.2 (250) | HL-96407-13 | 152.4 (500) | HL-96403-13 | — | — | — | — | 121.9 (400) | HL-06427-13 | — | — |
| L/S 14 | 76.2 (250) | HL-96407-14 | 152.4 (500) | HL-96403-14 | 152.4 (500) | HL-95687-14 | 121.9 (400) | HL-96423-14 | 121.9 (400) | HL-06427-14 | 152.4 (500) | HL-06415-14 |
| L/S 16 | 76.2 (250) | HL-96407-16 | 152.4 (500) | HL-96403-16 | 152.4 (500) | HL-95687-16 | 121.9 (400) | HL-96423-16 | 121.9 (400) | HL-06427-16 | 152.4 (500) | HL-06415-16 |
| L/S 25 | 76.2 (250) | HL-96407-25 | 152.4 (500) | HL-96403-25 | — | — | 121.9 (400) | HL-96423-25 | 121.9 (400) | HL-06427-25 | — | — |
| L/S 17 | 76.2 (250) | HL-96407-17 | 152.4 (500) | HL-96403-17 | 152.4 (500) | HL-95687-17 | 121.9 (400) | HL-96423-17 | 121.9 (400) | HL-06427-17 | — | — |
| L/S 18 | 61.0 (200) | HL-96407-18 | 121.9 (400) | HL-96403-18 | 121.9 (400) | HL-95687-18 | 121.9 (400) | HL-96423-18 | 121.9 (400) | HL-06427-18 | — | — |
| L/S 15 | 76.2 (250) | HL-96407-15 | 121.9 (400) | HL-96403-15 | 121.9 (400) | HL-95687-15 | 121.9 (400) | HL-96423-15 | 121.9 (400) | HL-06427-15 | — | — |
| L/S 24 | 61.0 (200) | HL-96407-24 | 91.4 (300) | HL-96403-24 | 91.4 (300) | HL-95687-24 | 121.9 (400) | HL-96423-24 | 121.9 (400) | HL-06427-24 | — | — |
| L/S 35 | — | — | 91.4 (300) | HL-96403-35 | 91.4 (300) | HL-95687-35 | — | — | 121.9 (400) | HL-06427-35 | — | — |
| L/S 36 | — | — | 30.5 (100) | HL-96403-36 | 30.5 (100) | HL-95687-36 | — | — | 121.9 (400) | HL-06427-36 | — | — |

L/S® BULK-PACKED PUMP TUBING

- ▶ Save on shipping costs and reduce storage space
- ▶ Up to 20 sealed bags of tubing (depending on tubing size) in each case
- ▶ Lot-traceable certificates of tubing compliance available
- ▶ Use as many or as few as you need and store the rest
- ▶ Tubing coils are individually bagged and sealed to prevent contamination



96404-16

ORDERING INFORMATION

| Tubing size | Number of 7.6-m (25-ft) bags per box | Platinum-cured silicone (96410-series) | C-Flex® (06424-series) |
|-------------|--------------------------------------|--|-----------------------------|
| | | Catalog number | Catalog number |
| L/S 13 | 20 | HL-96404-13 | HL-06436-13 |
| L/S 14 | 20 | HL-96404-14 | HL-06436-14 |
| L/S 16 | 20 | HL-96404-16 | — |
| L/S 25 | 20 | HL-96404-25 | HL-06436-25 |
| L/S 17 | 20 | HL-96404-17 | HL-06436-17 |
| L/S 18 | 10 | HL-96404-18 | — |
| L/S 15 | 20 | HL-96404-15 | HL-06436-15 |
| L/S 24 | 20 | HL-96404-24 | HL-06436-24 |
| L/S 35 | 10 | HL-96404-35 | HL-06436-35 |
| L/S 36 | 10 | HL-96404-36 | HL-06436-36 |

ACCESSORIES FOR L/S PRECISION PUMP TUBING

Benchtop Tubing Cutter

Steel blade makes right-angle cuts in several sizes of Masterflex tubing:

C/L® 2.06 mm, 2.79 mm OD
L/S® sizes 13, 14, 15, 16, 17, 18, 24, 25, 35, 36
I/P® sizes 26, 73



06438-10

[HL-06438-10](#) Benchtop tubing cutter

[HL-06438-11](#) Replacement blade for 06438-10


Pulse Dampener







Virtually eliminate pulsation in your output flow. Pulse dampener features a polyethylene body. It includes five pairs of fittings and PTFE-pipe thread tape. Pulse dampener accepts all L/S tubing sizes and I/P 26 size tubing.



[HL-07596-20](#) Pulse dampener

SELECTION GUIDE FOR L/S® DRIVES

| | | Description | Flow rates (mL/min) | Fixed speed (rpm) | Variable speed (rpm) | Reversible | Remote control capabilities | Special features | Page number |
|---|---|-------------------------------|------------------------------|----------------------------|----------------------|------------|--|--|-------------|
| Analog | FIXED-SPEED | | | | | | | | |
| |  | | Lowest: 0.06 Highest: 290 | 1, 2, 6, 12, 20, 30, 60 | — | — | — | Consistent repeatable flow rates. Economical and compact. UL, cUL, and CE listed models | 76–77 |
| | COMPACT | | | | | | | | |
|  | | Lowest: 0.8 Highest: 560 | — | 20 to 100, 35 to 200 | ✓ | Start/stop | Economical and compact. UL, cUL, and CE listed models. Compact pump with integral pump head and quick-loading tube sets—single or dual channel. Drives are stackable. | 78–81 | |
| ECONOMY CONSOLE | | | | | | | | | |
|  | | Lowest: 0.42 Highest: 2900 | — | 7 to 200, 20 to 600 | ✓ | — | Economical variable flow; simple speed control. UL, cUL, and CE listed models. Drives accept stacked pump heads for multiple channels. | 82–83 | |
| Specialty | AIR-POWERED AND HAZARDOUS-DUTY | | | | | | | | |
| |  | | Lowest: 0.6 Highest: 3400 | — | 60 to 600 | — | — | Use air-powered drives in locations where electricity is unsafe or impractical. Air drive is ATEX Zone 2 approved. Stack pump heads. | 101–102 |
| | SAMPLERS | | | | | | | | |
|  | | Lowest: 4.2 Highest: 1650 | 600 | 70 to 400 | ✓ | — | Samplers float up to 30 minutes if inadvertently dropped in water. Rechargeable internal batteries for field use. Ideal for sampling in the field or in the plant as a portable pump. Programmable digital composite samplers available. | 104–106 | |
| DC-POWERED | | | | | | | | | |
|  | | Lowest: 1.2 Highest: 2700 | 100, 540, 570 | 20 to 90, 100 to 500 | ✓ | — | Operate from 12 or 24 VDC supply. Versatile, portable, and easy to use. | 107 | |

| Description | Flow rates (mL/min) | Fixed speed (rpm) | Variable speed (rpm) | Reversible | Remote control capabilities | Special features | Page number |
|---|--------------------------------|-------------------|------------------------------------|------------|--|---|-----------------|
| PRECISION CONSOLE | | | | | | | |
|  | Lowest: 0.06 Highest: 3400 | — | 1 to 100, 3 to 300, 6 to 600 | ✓ | Speed, start/ stop, direction | Economical variable flow; simple speed control. ETL and CE listed models. Drives accept stacked pump heads for multiple channels. Drives are stackable. | 84–85 |
| PRECISION MODULAR | | | | | | | |
|  | Lowest: 0.06 Highest: 3400 | — | 1 to 100, 6 to 600 | ✓ | Speed, start/stop, direction | Separate motor and controller up to 4.6 m (15 ft). Models available with either benchtop or IP66-rated wall-mount controller. Pump heads can be stacked. | 86–87 |
| STANDARD DIGITAL AND COMPUTER COMPATIBLE | | | | | | | |
|  | Lowest: 0.001 Highest: 3400 | — | 0.1 to 600, 0.02 to 100 | ✓ | Speed, direction, start/stop, prime | Four-line graphical LCD with menu-driven programming. Maintenance-free brushless motor. PWM speed control with 6000:1 turndown. Tachometer feedback for ±0.1% speed control. Housings are stackable. Calibration capability. Programmable for all L/S tubing sizes. Pump heads can be stacked. Control brushless computerized drive with Windows®-based software; stores up to 30 user programs. Use as stand-alone or programmable drives. | 88–89, 94–95 |
| MODULAR DISPENSERS | | | | | | | |
|  | Lowest: 0.001 Highest: 3400 | — | 0.1 to 600 | ✓ | Speed, direction, start/stop, prime | Maintenance-free brushless motor. Special features for precise repetitive dispensing include anti-drip. Precise PWM speed control. Quiet operation. Tachometer feedback for ±0.1% speed control. Pump heads can be stacked. Benchtop or washdown wall-mount controller. Calibration capability. Programmable for all L/S tubing sizes. | 90–91 |
| DIGITAL PROCESS | | | | | | | |
|  | Lowest: 0.006 Highest: 3400 | — | 0.1 to 600 | ✓ | Speed, direction, start/stop, prime | Four-line graphical LCD with menu-driven programming. IP66 and NEMA 4X rated for washdown. Sealed housing. Maintenance-free brushless motor with PWM speed control. Dispensing features include delay interval and cumulative volume. Full remote control capability. | 92–93 |
| DIGI-STALTIC® DISPENSER | | | | | | | |
|  | Lowest: 0.72 Highest: 5800 | — | 6 to 600 | ✓ | Start/stop | Control multiple Digi-Staltic drives from a single controller. Controller stores up to 30 programs. Ideal for automated process applications. Stack pump heads. | 98–99 |

Digital

L/S® FIXED-SPEED DRIVES

FEATURES/BENEFITS

- ▶ Flow rates: 0.06 to 290 mL/min depending on drive model and tubing size
- ▶ Simple, economical pump drives for general, intermittent-duty fluid transfer applications
- ▶ Lighted power switch on front of drive lets you know that pump is running
- ▶ Seven speeds available—choose speed and tubing size to achieve your desired flow rate(s)
- ▶ Drives are UL, cUL listed and CE compliant
- ▶ Ideal as an acid/base or nutrient feed pump in fermentation applications
- ▶ Housing is stackable for efficient use of limited space

DRIVE CONTROLS

- ▶ Use lighted power switch on front of drive to turn drive on/off

SETUP

1. Mount pump head(s) onto drive.
2. Select tubing size required to deliver desired flow rate; load tubing in pump head.
3. Turn pump on.

SPEED CONTROL/CIRCUITRY

- ▶ Fixed-speed drives; no speed control
- ▶ Drive speed may vary $\pm 15\%$ depending on line voltage/frequency fluctuations
- ▶ 115 VAC: UL778, CSA C22.2 No. 108-01; 230 VAC For CE mark: EN61010-1 (EU Low Voltage) and EN61326 (EU EMC)

PUMP HEADS ACCEPTED

- ▶ Accept five different types of L/S pump heads: Standard, Easy-Load® 3, Easy-Load® II, Easy-Load®, and multichannel cartridge

Note: The 60-rpm drives accept only one pump head and should not be used with multichannel or multichannel cartridge pump heads.

L/S fixed-speed drive 07540-01 shown with Easy-Load II pump head 77200-62



L/S fixed-speed drive 07540-12 shown with Standard pump head 07015-21



ISO9001:2008
CERTIFIED SUPPLIER



2 year warranty

ORDERING INFORMATION

| Catalog number | | | |
|------------------|-----------------------------|------------------|-----------------------------|
| rpm [†] | 115 VAC, 60 Hz | rpm [†] | 230 VAC, 50 Hz |
| 1 | HL-07540-01 | 1 | HL-07542-01 |
| 2 | HL-07540-02 | 2 | HL-07542-02 |
| 6 | HL-07540-06 | 5 | HL-07542-06 |
| 12 | HL-07540-12 | 10 | HL-07542-12 |
| 20 | HL-07540-20 | 17 | HL-07542-20 |
| 30 | HL-07540-30 | 25 | HL-07542-30 |
| 60 | HL-07540-60 | 50 | HL-07542-60 |

[†]Drive speed may vary $\pm 15\%$ depending on fluctuations in line voltage and frequency.

L/S PUMP TUBING FLOW RATE INFORMATION (mL/MIN)[†]

Order Masterflex L/S pump tubing separately on pages 68–73.

| Tubing cross sections | L/S Precision pump tubing | | | | | | L/S High-performance Precision pump tubing | | | |
|-----------------------|---------------------------|--------|--------|--------|--------|--------|--|--------|--------|--------|
| | | | | | | | | | | |
| | L/S 13 | L/S 14 | L/S 16 | L/S 25 | L/S 17 | L/S 18 | L/S 15 | L/S 24 | L/S 35 | L/S 36 |
| Flow rate @ 1 rpm | 0.06 | 0.21 | 0.8 | 1.7 | 2.8 | 3.8 | 1.7 | 2.8 | 3.8 | 4.8 |
| Flow rate @ 2 rpm | 0.12 | 0.42 | 1.6 | 3.4 | 5.6 | 7.6 | 3.4 | 5.6 | 7.6 | 9.6 |
| Flow rate @ 6 rpm | 0.36 | 1.3 | 4.8 | 10 | 17 | 23 | 10 | 17 | 23 | 29 |
| Flow rate @ 12 rpm | 0.72 | 2.5 | 9.6 | 20 | 34 | 46 | 20 | 34 | 46 | 58 |
| Flow rate @ 20 rpm | 1.2 | 4.2 | 16 | 34 | 56 | 76 | 34 | 56 | 76 | 96 |
| Flow rate @ 30 rpm | 1.8 | 6.3 | 24 | 50 | 84 | 110 | 50 | 84 | 110 | 140 |
| Flow rate @ 60 rpm | 3.6 | 13 | 48 | 100 | 170 | 230 | 100 | 170 | 230 | 290 |

[†]Motor rpm and flow rates for the 230 VAC, 50 Hz drives are approximately 5% of the values shown.

SPECIFICATIONS for L/S Fixed-Speed Drives

| | | |
|-----------------------------------|---|---|
| Catalog number | HL-07540-01, -02, -06, -12, -20, -30, -60 | HL-07542-01, -02, -06, -12, -20, -30, -60 |
| Performance Specifications | | |
| Flow capacity | 0.06 to 290 mL/min (0 to 4.6 GPH) | |
| Fixed rpm ^{††} | 1, 2, 6, 12, 20, 30, 60 | |
| Number of heads accepted | 2 (1 on 60 rpm) | |
| Maximum torque – running | 127 N-cm (180 oz-in) for 1, 2, 6, 12, 20, 30 rpm 64 N-cm (90 oz-in) for 60 rpm | |
| Reversible | No ^{††} | |
| External control – Input | Not applicable | |
| External control – Output | | |
| Electrical Specifications | | |
| Voltage/Frequency VAC (Hz) | 115 (60) | 230 (50) |
| Current | 0.3 A for 1, 2 rpm; 0.5 A for 6, 12 rpm; 0.6 A for 20 rpm; 0.9 A for 30, 60 rpm | |
| Motor type | AC shaded pole | |
| Motor size | Sub-fractional ^{†††} | |
| Motor/speed control type | Not applicable | |
| Speed regulation (repeatability) | ±8% (±8%) | |
| Soft start/Electronic brake | None | |
| Physical Specifications | | |
| Housing materials | Painted steel housing | |
| IP rating ^{†††} | IP22 | |
| Agency listings | UL, cUL, CE | |
| Storage temperature | -25 to 65°C (-13 to 149°F) | |
| Operating temperature | 0 to 40°C (32 to 104°F) | |
| Dimensions (L x W x H) | 15.2 x 13.4 x 11.9 cm (6" x 5¼" x 4¾") | |
| Shipping weight | 2.9 kg (6.3 lb) | |

^{††}Drive speed may vary ±15% depending on fluctuations in line voltage and frequency.

^{††}All nonreversible drives turn CW as viewed from front.




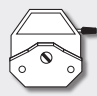
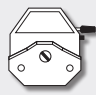
^{†††}Maximum power required is 70 W or less for indicated models.

^{†††}See page 194 for an explanation of IP ratings.

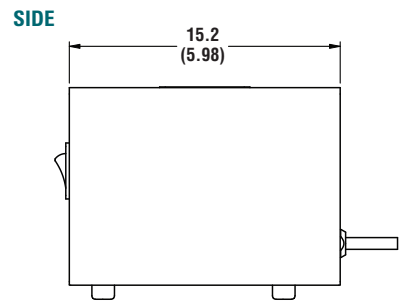
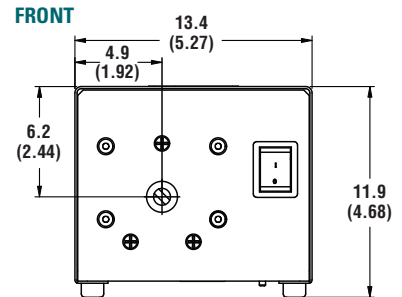
ACCESSORIES

HL-08670-02 Start/stop foot switch
for all 115 VAC drives; 1.8-m (6-ft) cable.

HL-17050-01 NIST-traceable calibration
for peristaltic pump drive.

| | |
|---|--|
| <p>STANDARD 0.06 to 2900 mL/min pages 40–41</p>  | <p>MULTICHANNEL CARTRIDGE 3- or 4-roller; up to 8 channels 0.047 to 1700 mL/min pages 56–57</p>  |
| <p>EASY-LOAD® 3 0.06 to 2900 mL/min pages 42–43</p>  | <p>6- or 8-roller; up to 12 channels 0.0005 to 350 mL/min pages 58–59</p> |
| <p>EASY-LOAD® II 0.06 to 2900 mL/min pages 44–45</p>  | |
| <p>EASY-LOAD® 0.06 to 2300 mL/min pages 46–47</p>  | |

Dimensional Drawings cm (in.)
07540-, 07542-series



FREE TUBING TEST KIT!

Can't find your chemical in the tables?

Request your FREE tubing kit to test compatibility of your chemicals against different tubing formulations. Request item HL-00101-10.

Call or go online to request your FREE test kit today!



L/S® PUMP HEADS 38–67
L/S® TUBING 68–73
L/S® PUMP SYSTEMS..... 108–117

ACCESSORIES..... 160–171

TECHNICAL DATA..... 172–206

L/S® COMPACT VARIABLE-SPEED PUMPS

FEATURES/BENEFITS

- ▶ Flow rates: 0.8 to 105 mL/min depending on drive model and tubing size
- ▶ Single- or dual-channel models; dual-channel model delivers synchronous flow from two separate channels
- ▶ Integral pump head accepts L/S two-stop pump tubing sets
- ▶ Tubing sets are easy to load with no occlusion or retention adjustment
- ▶ Separate single-turn speed control and CW/OFF/CCW switch—maintain speed setting when turning pump on/off
- ▶ Potentiometer is indexed for repeatability
- ▶ Remote start/stop via contact closure on back of pump
- ▶ Self-lubricating, thermoplastic polyester (Ertalyte® TX) rollers are low friction for smooth operation and long life
- ▶ Durable, anodized aluminum occlusion bed swings open for loading; locks securely shut during operation
- ▶ Three rollers and wide occlusion angle prevent fluid backflow up to rated pressure of tubing
- ▶ Painted-steel housing is stackable—ideal for crowded benchtops
- ▶ Powered by remote, dual-voltage (115/230 VAC) power supply



L/S single-channel compact pump 77240-00



L/S dual-channel compact pump 77240-10

DRIVE CONTROLS

- ▶ All manual controls are on the front panel of pump
- ▶ Separate CW/OFF/CCW with green LED power indicator
- ▶ Single-turn potentiometer speed control
- ▶ MAX button runs pump at full speed to prime or flush tubing

SETUP

1. Select and load tubing.
2. Select motor direction (CW/CCW).
3. Turn pump on.
4. Adjust flow rate and speed with indexed, single-turn potentiometer.

SPEED CONTROL/CIRCUITRY

- ▶ Single-turn potentiometer
- ▶ Speed control (repeatability): ±5%
- ▶ Meets UL 508C, CSA C22.2, No. 14, EN61010-1 and EN61326-1 (for CE mark)

REMOTE CONTROL

- ▶ Remote start/stop via contact closure

PUMP HEADS ACCEPTED

- ▶ These compact pumps include an integral single- or dual-channel pump head



ORDERING INFORMATION

| Catalog number | No. of channels | rpm | Power (50/60 Hz) |
|-----------------------------|-----------------|-----------|---------------------------|
| HL-77240-00 | 1 | 20 to 100 | 115/230 VAC, dual voltage |
| HL-77240-10 | 2 | | |

ACCESSORIES

[HL-77200-07](#) Replacement power supply, dual-voltage 115/230 VAC.

[HL-17050-01](#) NIST-traceable calibration for peristaltic pump drive.

L/S Two-STOP PUMP TUBING SET FLOW RATE INFORMATION (mL/MIN)

Order Masterflex L/S two-stop tubing sets separately on page 79; order L/S extension tubing on pages 68–73.

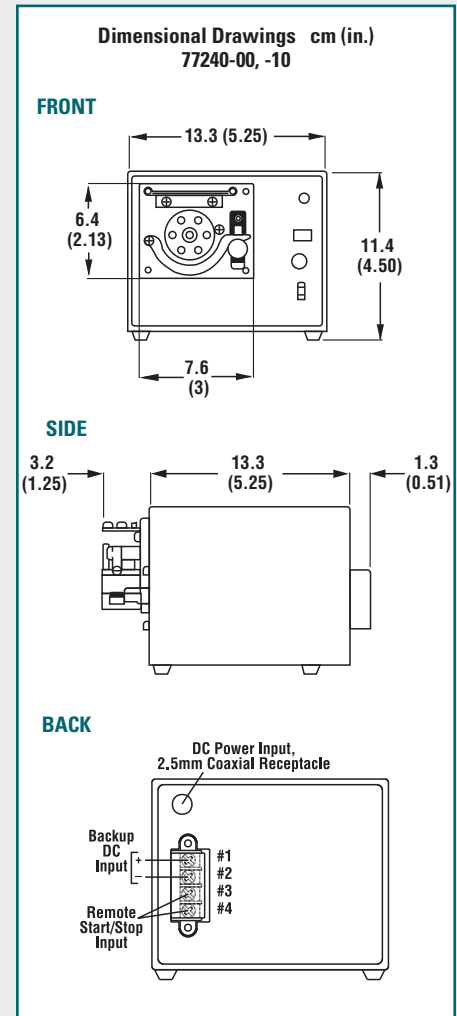
| Pump model | Motor rpm range | L/S Precision pump tubing | | | |
|-----------------------------|-----------------|---------------------------|-----------|-----------------|-----------------|
| | | | | | |
| HL-77240-00 | 20 to 100 | 0.8 to 40 | 2.8 to 14 | 11 to 54 | 21 to 105 |
| HL-77240-10 | | 0.8 to 40 | 2.8 to 14 | Not recommended | Not recommended |

Note: All flow rates are approximate—calculated under the following conditions: 0 bar (0 psig) at inlet, 0.03 bar (0.5 psig) at outlet; water temperature at 22°C (72°F).

SPECIFICATIONS for L/S Compact Variable-Speed Pumps

| | | | |
|-----------------------------------|--|----------------------------------|-----------------------------|
| Catalog number | | HL-77240-00 | HL-77240-10 |
| Performance Specifications | | | |
| Flow capacity (per channel) | 0.8 to 105 mL/min (0 to 1.66 GPH) | 0.8 to 14 mL/min (0 to 0.22 GPH) | |
| Number of channels | 1 | 2 | |
| rpm | 20 to 100 | | |
| Number of heads accepted | Integral single-channel head | Integral dual-channel head | |
| Maximum torque | Starting | 113 N-cm (160 oz-in) | |
| | Running | 35 N-cm (50 oz-in) | |
| Reversible | Yes (three-position switch for CW/OFF/CCW) | | |
| External control – Input | Start/stop via contact closure | | |
| External control – Output | Not applicable | | |
| Electrical Specifications | | | |
| Voltage/Frequency VAC (50/60 Hz) | 90 to 130 and 190 to 260 dual-voltage (13.5 VDC nominal) | | |
| Current | 0.5 A at 115 V; 0.3 A at 230 V | | |
| Motor type | Permanent-magnet brushed DC | | |
| Motor size | 6 W | | |
| Motor/speed control type | Single-turn potentiometer | | |
| Speed regulation (repeatability) | ±5% | | |
| Soft start/Electronic brake | Yes/No | | |
| Physical Specifications | | | |
| Housing materials | Painted steel | | |
| IP rating† | IP22 | | |
| Agency listings | UL, cUL, CE | | |
| Operating temperature | 0 to 40°C (32 to 104°F) | | |
| Storage temperature | –25 to 65°C (–13 to 149°F) | | |
| Dimensions (L x W x H) | 16.5 x 13.3 x 11.4 cm (6½" x 5¼" x 4½") | | |
| Shipping weight | 2.7 kg (6 lb) | | |

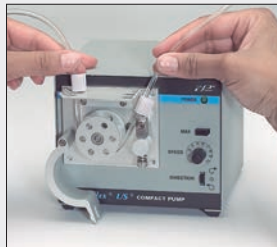
†See page 194 for an explanation of IP ratings.



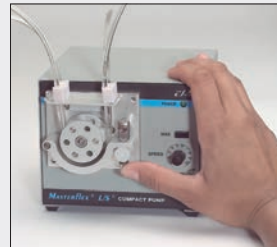
HOW TO LOAD YOUR PUMP HEAD



1. Release occlusion bed latch and open occlusion bed.



2. Hook left-side tubing stop to the top of the left-side retainer slot. Stretch tubing around rollers and hook right-side stop to the top of the right-side retainer slot.



3. Lift occlusion bed and close latch; locking occlusion bed in place.

L/S® TUBING 68–73
L/S® PUMP SYSTEMS..... 108–117

ACCESSORIES 160–171

TECHNICAL DATA 172–206

L/S Two-Stop Precision Pump Tubing Sets ORDERING INFORMATION

| Tubing size | Tygon® E-LFL <i>NEW</i> | Platinum-cured silicone | BioPharm Plus Silicone (platinum-cured) | PharMed® BPT | Viton® | Chem-Durance® Bio |
|-------------|-----------------------------|-----------------------------|---|-----------------------------|-----------------------------|-----------------------------|
| L/S 13 | HL-06447-13 | HL-06421-13 | HL-96116-13 | HL-96114-13 | HL-96428-13 | HL-96117-13 |
| L/S 14 | HL-06447-14 | HL-06421-14 | HL-96116-14 | HL-96114-14 | HL-96428-14 | HL-96117-14 |
| L/S 16 | HL-06447-16 | HL-06421-16 | HL-96116-16 | HL-96114-16 | HL-96428-16 | HL-96117-16 |
| L/S 25 | HL-06447-25 | HL-06421-25 | HL-96116-25 | HL-96114-25 | HL-96428-25 | HL-96117-25 |
| Qty/pk | 8 | 8 | 8 | 8 | 8 | 8 |

L/S® COMPACT, LOW-FLOW, VARIABLE-SPEED DRIVES

FEATURES/BENEFITS

- ▶ Deliver flow rates from 2.1 to 560 mL/min (0.03 to 8.8 GPH) with Masterflex® L/S pump head†
- ▶ Ideal for smaller work spaces
- ▶ Compact size: 13.6 x 13.3 x 11.4 cm (5³/₈" x 5¹/₁₆" x 4¹/₂")
- ▶ Stackable, painted-steel housing
- ▶ Economically priced
- ▶ Housing protects drive from vertically falling water
- ▶ Reversible permanent-magnet DC motor
- ▶ Purge before or after pumping; pump in either direction
- ▶ Remote control capabilities
- ▶ IP22 enclosure rating per IEC

DRIVE CONTROLS

- ▶ All manual controls are on the front panel of drive
- ▶ Separate CW/OFF/CCW switch with green power indicator
- ▶ Single-turn potentiometer speed control
- ▶ MAX button facilitates priming or flushing at maximum rpm

SETUP

1. Mount pump head.
2. Load tubing.
3. Select motor direction (CW/CCW).
4. Turn pump on.
5. Adjust flow rate with the one-turn potentiometer speed control.

SPEED CONTROL/CIRCUITRY

- ▶ Single-turn potentiometer
- ▶ Speed control (repeatability): ±5%
- ▶ Meets UL508C, CSA C22.2, No. 14; for CE mark EN61010-1 and EN61326-1 (EU EMC)

REMOTE CONTROL

- ▶ Remote start/stop via contact closure

PUMP HEADS ACCEPTED

- ▶ Drive accepts two different types of pump heads—Standard or Easy-Load®
- ▶ No pump head stacking capability

†Depending on drive rpm and tubing size.



L/S compact drive 77200-20 shown with Standard pump head 07016-21



Power supply is:



ORDERING INFORMATION

| Catalog number | rpm | Power (50/60 Hz) |
|-----------------------------|-----------|------------------|
| HL-77200-20 | 35 to 200 | 115/230 VAC |
| HL-77200-12 | | 12 VDC |

ACCESSORIES

[HL-77200-07](#) Replacement power supply, dual-voltage 115/230 VAC.

[HL-17050-01](#) NIST-traceable calibration for peristaltic pump drive.



Compact variable-speed drives accept a single pump head—either Standard or Easy-Load®.

L/S PUMP TUBING FLOW RATE INFORMATION (mL/MIN)

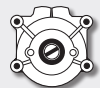
Order Masterflex L/S pump tubing separately on pages 68–73.

| Tubing cross sections | L/S Precision pump tubing | | | | |
|----------------------------|---------------------------|-----------|-----------|---------------------|---------------------|
| | | | | | |
| | L/S 13 | L/S 14 | L/S 16 | L/S 25 [‡] | L/S 17 [‡] |
| Flow range @ 35 to 200 rpm | 2.1 to 12 | 7.4 to 42 | 28 to 160 | 60 to 340 | 98 to 560 |

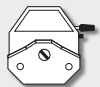
[‡]C-FLEX® and silicone tubing formulations are recommended for L/S 17 and L/S 25 size tubing.

Note: All flow rates are approximate—calculated under the following conditions: 0 bar (0 psig) at inlet, 0.03 bar (0.5 psig) at outlet; water temperature at 22°C (72°F).

STANDARD
2.1 to 560 mL/min
pages 40–41



EASY-LOAD®
2.1 to 560 mL/min
pages 46–47



SPECIFICATIONS for L/S Compact, Low-Flow, Variable-Speed Drives

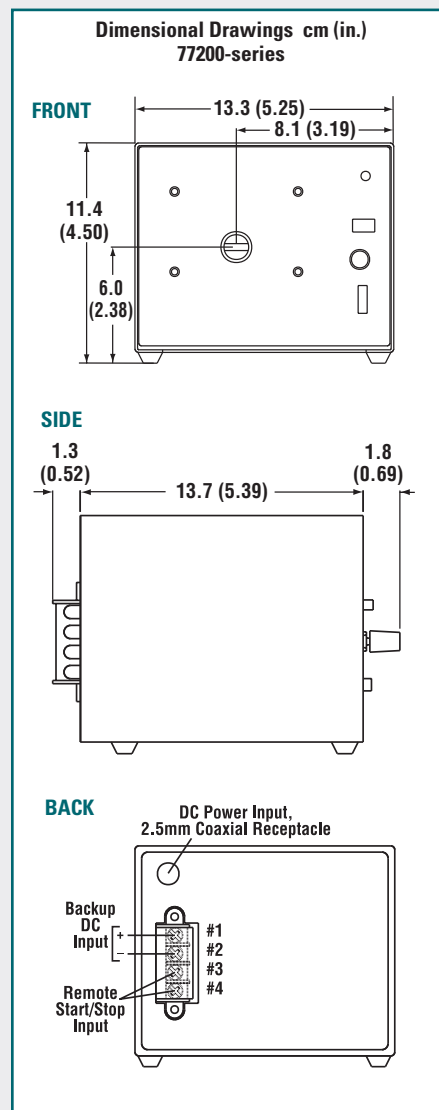
| | | |
|-----------------------------------|--|-----------------------------|
| Catalog number | HL-77200-20 | HL-77200-12 |
| Performance Specifications | | |
| Flow capacity | 2.1 to 560 mL/min (0.03 to 8.8 GPH) [†] | |
| rpm | 35 to 200 | |
| Number of heads accepted | 1 | |
| Maximum torque | Starting | 56 N-cm (80 oz-in) |
| | Running | 18 N-cm (25 oz-in) |
| Reversible | Yes (three-position switch for CW/OFF/CCW) | |
| External control – Input | START/STOP via contact closure | |
| External control – Output | Not applicable | |
| Electrical Specifications | | |
| Voltage/Frequency | 90 to 260 VAC (50/60 Hz) | 13.5 VDC nominal |
| Current | 120 mA @ 115 V; 60 mA @ 230 V (AC) | 2.4 A (DC) |
| Motor type | Permanent magnet DC | |
| Motor size | 6 W | |
| Motor/speed control type | Single-turn potentiometer | |
| Speed regulation (repeatability) | ±5% (5% of max rpm) | |
| Soft start/Electronic brake | Yes (remote)/No | |
| Physical Specifications | | |
| Housing materials | Painted steel | |
| IP rating [‡] | IP22 | |
| Agency listings | CE, Power supply: UL, cUL | — |
| Storage temperature | –25 to 65°C (–13 to 149°F) | |
| Operating temperature | 0 to 40°C (32 to 104°F) | |
| Humidity | 10 to 90% (noncondensing) | |
| Dimensions (L x W x H) | 13.6 x 13.3 x 11.4 cm (5 ³ / ₈ " x 5 ¹ / ₄ " x 4 ¹ / ₂ " | |
| Shipping weight | 1.7 kg (3.7 lb) | |

[†]Depending on drive rpm and tubing size selected.

[‡]See page 194 for an explanation of IP ratings.



Drives are stackable—ideal where space is limited.



FOR THE LATEST...

Masterflex technical resources, see

- [ColeParmer.com](#)
- [Masterflex.com](#)

L/S® PUMP HEADS 38–67
L/S® TUBING 68–73
L/S® PUMP SYSTEMS..... 108–117

ACCESSORIES..... 160–171

TECHNICAL DATA..... 172–206

L/S® VARIABLE-SPEED ECONOMY DRIVES

FEATURES/BENEFITS

- Perfect upgrade from a fixed-speed drive to a variable-speed system
- Deliver flow rates from 0.42 to 2900 mL/min with Masterflex® L/S pump heads
- Deliver flow rates from 0.0035 to 1700 mL/min with cartridge pump heads
- Wide flow control range (30:1 turndown)
- Long-lasting, stackable steel housing
- Ideal for low-flow metering or general fluid transfer
- Safe, reliable continuous-duty motor
- Unidirectional operation
- Multichannel pumping

DRIVE CONTROLS

- All manual controls are on the front panel
- Single-turn potentiometer for speed control
- On/off switch, green power-on indicator

SETUP

- Mount pump head and load tubing.
- Turn pump on.
- Adjust flow rate with potentiometer.

SELECTION CRITERIA

- Motor rpm/flow rate.
- Voltage required.
- Pump heads accepted.

Order pump heads and tubing separately.

SPEED CONTROL/CIRCUITRY

- Single-turn potentiometer
- Solid-state circuit
- Soft-start for no power surges
- Speed not affected by minimum variations in line voltage or frequency
- Switch: ON/OFF
- Meets or exceeds UL, CSA, EN, and selected IEC limits



L/S variable-speed console drive 07554-90 with L/S Easy-Load pump head 07518-12

MOTOR SPECIFICATIONS

- Permanently lubricated
- Designed around a 90 or 180 VDC motor

PUMP HEADS ACCEPTED

- Drive accepts nine different pump heads:

| | |
|----------------|------------------------|
| Standard | High-Performance |
| Easy-Load® 3 | PTFE-Tubing |
| Easy-Load II | Multichannel |
| Easy-Load | Multichannel Cartridge |
| PTFE-Diaphragm | |

NOTES

Use drives 07554-90 and 07554-95 with High-Performance, Multichannel, and Cartridge pump heads only when loaded with C-FLEX® or silicone tubing. Do not use these 600-rpm drives with the PTFE-tubing or PTFE-diaphragm pump heads.

ISO9001:2008
CERTIFIED SUPPLIER

c UL US

CE

2 year
warranty

ORDERING INFORMATION

| Catalog number | rpm | Power (50/60 Hz) |
|----------------|-----------|------------------|
| HL-07554-90 | 20 to 600 | 90 to 130 VAC |
| HL-07554-95 | | 180 to 260 VAC |
| HL-07554-80 | 7 to 200 | 90 to 130 VAC |
| HL-07554-85 | | 180 to 260 VAC |

ACCESSORIES

HL-17050-01 NIST-traceable calibration for peristaltic pump drive.

SEE PAGES 108-117

For complete L/S pump systems.



77910-30

L/S PUMP TUBING FLOW RATE INFORMATION (mL/MIN)

Order Masterflex L/S pump tubing separately on pages 68-73.

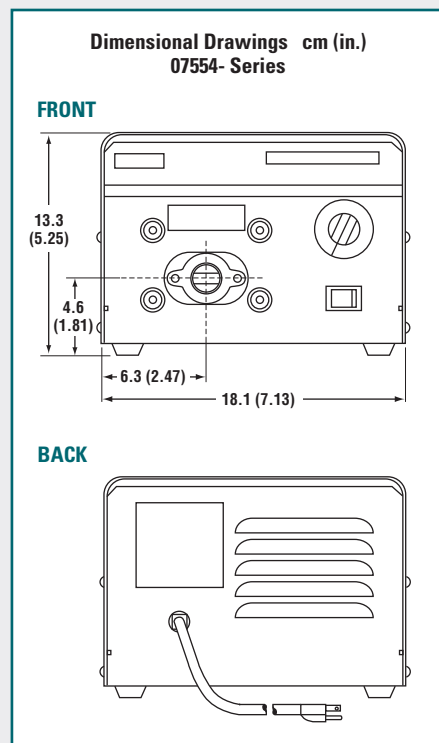
| Tubing cross sections | L/S Precision pump tubing | | | | | | L/S High-performance Precision pump tubing | | | |
|----------------------------|---------------------------|------------|------------|------------|------------|------------|--|--------------------------|--------------------------|---------------------------|
| | | | | | | | | | | |
| | L/S 13 | L/S 14 | L/S 16 | L/S 25 | L/S 17 | L/S 18 | L/S 15 | L/S 24 | L/S 35 | L/S 36 |
| Flow range @ 20 to 600 rpm | 1.2 to 36 | 4.2 to 130 | 16 to 480 | 34 to 1000 | 56 to 1700 | 76 to 2300 | 34 to 1000 | 56 to 1700 | 76 to 2300 | 96 to 2900 |
| Flow range @ 7 to 200 rpm | 0.42 to 12 | 1.4 to 43 | 5.6 to 160 | 12 to 330 | 20 to 570 | 27 to 770 | 12 to 330 (13 to 370) | 20 to 570 (21 to 600) | 27 to 770 (30 to 870) | 34 to 970 (41 to 1130) |

Note: Flow rates in parentheses can be obtained only with L/S High-Performance pump heads.

SPECIFICATIONS for L/S Variable-Speed Economy Drives

| Catalog number | HL-07554-90 | HL-07554-95 | HL-07554-80 | HL-07554-85 |
|-----------------------------------|--|----------------------|----------------------------------|---------------|
| Performance Specifications | | | | |
| Flow capacity | 1.2 to 2900 mL/min (0 to 46 GPH) | | 0.42 to 970 mL/min (0 to 15 GPH) | |
| rpm | 20 to 600 | | 7 to 200 | |
| Number of heads accepted | 1 | | 2 | |
| Maximum torque | Starting | 191 N-cm (270 oz-in) | 381 N-cm (540 oz-in) | |
| | Running | 64 N-cm (90 oz-in) | 127 N-cm (180 oz-in) | |
| Reversible | No | | | |
| External control – Input | Not applicable | | | |
| External control – Output | Not applicable | | | |
| Electrical Specifications | | | | |
| Voltage/frequency VAC (50/60 Hz) | 90 to 130 | 180 to 260 | 90 to 130 | 180 to 260 |
| Current | 1.5 A | 0.8 A | 1.5 A | 0.8 A |
| Fuse rating | 2.0 A / 250 V | 1.0 A / 250 V | 2.0 A / 250 V | 1.0 A / 250 V |
| Motor type | Continuous-duty, permanent magnet DC | | | |
| Motor size | 37 W (½ hp) | | | |
| Motor/speed control type | Single-turn potentiometer, solid-state | | | |
| Speed regulation (repeatability) | ±5% (±3%) | | | |
| Soft start/Electronic brake | Yes/No | | | |
| Physical Specifications | | | | |
| Housing materials | Painted steel | | | |
| IP rating | IP22† | | | |
| Agency listings | UL, cUL, CE | | | |
| Operating temperature | 0 to 40°C (32 to 104°F) | | | |
| Storage temperature | -25 to 65°C (-13 to 149°F) | | | |
| Dimensions (L x W x H) | 22.9 x 18.1 x 13.3 cm (9" x 7 1/8" x 5 1/4") | | | |
| Shipping weight | 3.7 kg (8 lb) | | | |

†See page 194 for an explanation of IP ratings.



24-HOUR PROTECTION

The Liqui-Sense® emergency cut-off system protects you from pumping problems 24 hours a day. Detection of a leak or a high/low liquid level in a tank signals the Liqui-Sense controller to turn off your pump and turn on a back-up. Please see pages 160–161 for a complete description.



MORE INFO

Request your FREE Masterflex Tubing Test Kit to test compatibility of your chemicals against different tubing formulations. Request item HL-00101-10.

Call today!



STANDARD

0.42 to 2900 mL/min
pages 40–41



HIGH-PERFORMANCE

12 to 3400 mL/min
pages 48–49



MULTICHANNEL CARTRIDGE

3- or 4-roller;
up to 8 channels
0.33 to 1700 mL/min
pages 56–57



EASY-LOAD® 3

0.42 to 2900 mL/min
pages 42–43



PTFE-TUBING

0.42 to 65 mL/min
pages 50–51



6- or 8-roller;
up to 12 channels
0.0035 to 350 mL/min
pages 58–59

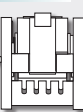
EASY-LOAD® II

0.42 to 2900 mL/min
pages 44–45



MULTICHANNEL

4- or 8-channel
for microbore tubing
0.02 to 200 mL/min
pages 52–53



PTFE-DIAPHRAGM

10 to 800 mL/min
pages 60–61



EASY-LOAD®

0.42 to 2300 mL/min
pages 46–47



2-, 4-, or 8-channel
for L/S® Precision
tubing
0.32 to 2300 mL/min
pages 54–55

L/S® PUMP HEADS 38–67
L/S® TUBING 68–73
L/S® PUMP SYSTEMS..... 108–117

ACCESSORIES..... 160–171

TECHNICAL DATA..... 172–206

L/S® VARIABLE-SPEED ANALOG CONSOLE DRIVES

FEATURES/BENEFITS

- ▶ Flow rates: 0.06 to 3400 mL/min (0.001 to 54 GPH) with L/S tubing
- ▶ Cartridge flow rate: 0.0005 to 1700 mL/min per channel
- ▶ Three-digit LED shows motor speed (rpm)
- ▶ PWM speed control for precise, efficient control; ±0.25% speed control accuracy
- ▶ Reversible motor—easily reverse direction of flow
- ▶ Stackable housing is IP33 rated for wipedown
- ▶ Universal voltage, 90 to 260 VAC autoselect, 50/60 Hz
- ▶ Compatible with all L/S pump heads

DRIVE CONTROLS

- ▶ Protected power switch located on back of drive
- ▶ Lighted display indicates power is on
- ▶ LED indicator shows motor/pumping direction
- ▶ Simple programming and operation of the following via sealed membrane keypad:
 - ◆ Flow direction
 - ◆ Motor speed (rpm)
 - ◆ Control mode (remote/internal)
 - ◆ Start/stop

SETUP

1. Mount pump head(s) and load tubing.
2. Turn drive power on.
3. Select manual (internal) or remote (external) control.
4. Select motor direction.
5. Set drive speed (rpm) through keypad.
6. Press START key to begin pumping.



07528-10

SPEED CONTROL/CIRCUITRY

- ▶ Regulate motor through keypad, 4 to 20 mA, or 0 to 10 V signal
- ▶ Soft start for starts without power surges
- ▶ Speed not affected by variations in power line voltage (VAC) and frequency (Hz)
- ▶ Line filters reduce outside interference
- ▶ Meets UL 61010-1, CSA C22.2, No. 61010-1; For CE mark: EN61010-1 (EU low voltage) and EN61326-1 (EU EMC)

REMOTE CONTROL

- ▶ Speed control input: 4 to 20 mA, and 0 to 10 V
- ▶ START/STOP, CW/CCW via contact closure
- ▶ 9-pin (DB9) female connection
- ▶ Handheld remote and foot switch options; order separately under "Accessories"

KEYPAD LOCK/UNLOCK FEATURE

- ▶ Lock out keypad and protect settings with special key sequence

ORDERING INFORMATION

| Catalog number | rpm | Power (50/60 Hz) |
|-----------------------------|----------|------------------|
| HL-07528-10 | 6 to 600 | 90 to 260 VAC |
| HL-07528-20 | 3 to 300 | |
| HL-07528-30 | 1 to 100 | |



SELECTION CRITERIA

1. Motor rpm / flow rate.
 2. Number of pump heads accepted.
- Order pump heads and tubing separately.**

ACCESSORIES

[HL-17050-01](#) NIST-traceable calibration for peristaltic pump drive.

L/S PUMP TUBING FLOW RATE INFORMATION (mL/MIN)

Order Masterflex L/S pump tubing separately on pages 68–73.

| Tubing cross sections | L/S Precision pump tubing | | | | | | L/S High-performance Precision pump tubing | | | |
|---------------------------|---------------------------|------------|------------|------------|------------|--------------|--|----------------------------|------------------------------|------------------------------|
| | L/S 13 | L/S 14 | L/S 16 | L/S 25 | L/S 17 | L/S 18 | L/S 15 | L/S 24 | L/S 35 | L/S 36 |
| Flow range @ 6 to 600 rpm | 0.36 to 36 | 1.3 to 130 | 4.8 to 480 | 10 to 1000 | 17 to 1700 | 23 to 2300 | 10 to 1000 (11 to 1100) | 17 to 1700 (18 to 1800) | 23 to 2300 (26 to 2600) | 29 to 2900 (34 to 3400) |
| Flow range @ 3 to 300 rpm | 0.18 to 18 | 0.65 to 65 | 2.4 to 240 | 5 to 500 | 8.5 to 850 | 11.5 to 1150 | 5 to 500 (5.5 to 550) | 8.5 to 850 (9 to 900) | 11.5 to 1150 (13 to 1300) | 14.5 to 1450 (17 to 1700) |
| Flow range @ 1 to 100 rpm | 0.06 to 6 | 0.21 to 21 | 0.8 to 80 | 1.7 to 170 | 2.8 to 280 | 3.8 to 380 | 1.7 to 170 (1.8 to 180) | 2.8 to 280 (3.0 to 300) | 3.8 to 380 (4.3 to 430) | 4.8 to 480 (5.8 to 580) |

Note: Flow rates were determined using water at room temperature and with zero back pressure and zero suction lift. Higher flow rates in parentheses can be obtained only with L/S High-Performance pump heads.

SPECIFICATIONS for L/S Variable-Speed Analog Console Drives

| Catalog number | HL-07528-10 | HL-07528-20 | HL-07528-30 | |
|-----------------------------------|---|--------------------------------------|------------------------------------|-----------------------|
| Performance Specifications | | | | |
| Flow capacity | 0.36 to 3400 mL/min (0 to 54 GPH) | 0.18 to 1700 mL/min (0 to 27 GPH) | 0.06 to 580 mL/min (0 to 9 GPH) | |
| rpm | 6 to 600 | 3 to 300 | 1 to 100 | |
| Number of heads accepted | 2 | 2 | 4 | |
| Maximum torque | Starting | 381 N-cm (540 oz-in) | 381 N-cm (540 oz-in) | 763 N-cm (1080 oz-in) |
| | Running | 127 N-cm (180 oz-in) | 127 N-cm (180 oz-in) | 254 N-cm (360 oz-in) |
| Reversible | Yes | | | |
| External control – Input | 4 to 20 mA, 0 to 10 V; START/STOP; CW/CCW via contact closure | | | |
| External control – Output | Not applicable | | | |
| Electrical Specifications | | | | |
| Voltage/Frequency VAC (Hz) | 90 to 260 (50/60) | | | |
| Current | 2.2 A at 115 V; 1.1 A at 230 V | | | |
| Fuse rating | 3.15 A / 250 V | | | |
| Motor type† | Continuous duty, TENV†, permanent-magnet DC | | | |
| Motor size | 75 W (1/10 hp) | | | |
| Display | Three-digit LED | | | |
| Motor/speed control type | PWM | | | |
| Speed regulation | ±0.25% | | | |
| Soft start/Electronic brake | Yes/No | | | |
| Physical Specifications | | | | |
| Housing materials | Stackable ABS plastic housing/coated aluminum chassis | | | |
| IP rating‡ | IP33 | | | |
| Agency listings | ETL, cETL, CE | | | |
| Operating temperature | 0 to 40°C (32 to 104°F) | | | |
| Storage temperature | –25 to 65°C (–13 to 149°F) | | | |
| Dimensions (L x W x H) | 27.4 x 21.2 x 21.6 cm (10¾" x 8¼" x 8½") | | | |
| Shipping weight | 6.9 kg (15.2 lb) | | | |

†TENV—totally enclosed, nonventilating.
‡See page 194 for an explanation of IP ratings.

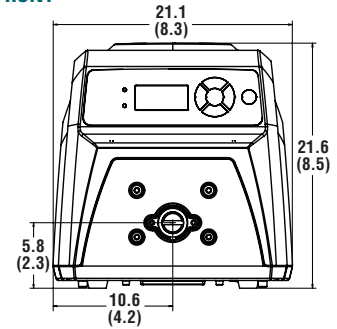
ACCESSORIES

- HL-77595-35 Foot switch**, momentary start/stop; 1.8-m (6-ft) cable.
- HL-07595-45 DB9 male connector**, use to create your own cable.
- HL-07595-47 Cable assembly**, DB9 male connector and 7.9 m (25-ft) cable with stripped wire terminal ends. Use for remote control.
- HL-07523-98 Tilt bail**; use to securely elevate front of drive.
- HL-07528-80 Handheld remote controller**, DB9 male; for on/off control; route tubing through handle for filling and dispensing applications.

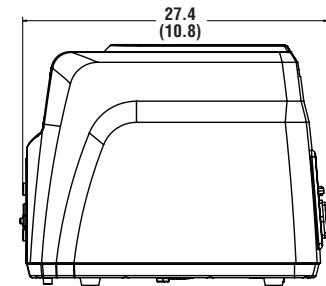


Dimensional Drawings cm (in.) 07528-series

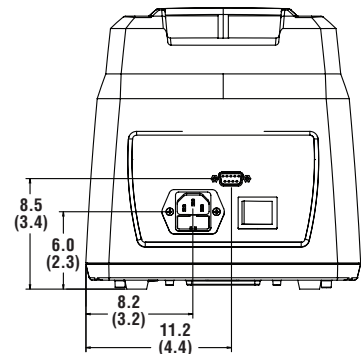
FRONT



SIDE



BACK



| | | | | | |
|--|--|---|--|---|--|
| STANDARD 0.06 to 2900 mL/min pages 40–41 | | HIGH-PERFORMANCE 0.9 to 3400 mL/min pages 48–49 | | MULTICHANNEL CARTRIDGE 3- or 4-roller; up to 8 channels 0.047 to 1700 mL/min pages 56–57 | |
| EASY-LOAD® 3 0.06 to 2900 mL/min pages 42–43 | | PTFE-TUBING 0.06 to 65 mL/min pages 50–51 | | 6- or 8-roller; up to 12 channels 0.0005 to 350 mL/min pages 58–59 | |
| EASY-LOAD® II 0.06 to 2900 mL/min pages 44–45 | | MULTICHANNEL 4- or 8-channel for microbore tubing 0.0026 to 200 mL/min pages 52–53 | | PTFE-DIAPHRAGM 10 to 800 mL/min pages 60–61 | |
| EASY-LOAD® 0.06 to 2300 mL/min pages 46–47 | | 2-, 4-, or 8-channel for L/S® Precision tubing 0.045 to 2300 mL/min pages 54–55 | | | |

L/S® PUMP HEADS 38–67
L/S® TUBING 68–73
L/S® PUMP SYSTEMS..... 108–117

ACCESSORIES..... 160–171

TECHNICAL DATA..... 172–206

L/S® VARIABLE-SPEED PRECISION MODULAR DRIVES

FEATURES/BENEFITS

- Flow rates: 0.06 to 3400 mL/min (0.001 to 54 GPH) with L/S tubing
- Cartridge flow rate: 0.0005 to 1700 mL/min per channel
- Modular format lets you separate drive and controller for convenient placement; a 1.8-m (6-ft) control cable is included. Extend that distance with optional 2.7-m (9-ft) extension cable
- Three-digit LED shows motor speed (rpm)—confirm speed setting at a glance
- PWM speed control for precise, efficient control; ±0.25% speed control accuracy
- Reversible motor—easily reverse direction of flow to purge or prime tubing
- Universal voltage, 90 to 260 VAC autoselect, 50/60 Hz
- Compatible with all L/S pump heads

DRIVE CONTROLS

- Protected power switch located on controller
- Lighted display indicates power is on
- LED indicator shows motor/pumping direction
- Simple programming and operation of the following via sealed membrane keypad:
 - Flow direction
 - Motor speed (rpm)
 - Control mode (remote/internal)
 - Start/stop



Modular drive 07557-60 shown with Easy-Load® II pump head 77200-62



Benchtop modular drive 07557-00

NEW

SETUP

- Mount pump head(s) and load tubing.
- Connect drive cable to controller.
- Turn drive power on.
- Select manual (internal) or remote (external) control.
- Select motor direction.
- Set drive speed (rpm) through keypad.
- Press START key to begin pumping.

SPEED CONTROL/CIRCUITRY

- Regulate motor through keypad, 4 to 20 mA, or 0 to 10 V signal
- Soft start for starts without power surges
- Speed not affected by variations in power line voltage (VAC) or frequency (Hz)
- Line filters reduce outside interference
- Meets UL 61010-1, CAN/CSA C22.2, No. 61010-1; For CE mark: EN61010-1 (EU low voltage) and EN61326-1 (EU EMC).

REMOTE CONTROL

Benchtop Modular Drives

- Remote control via 9-pin (DB9) female connection on back of controller
- Speed control input: 4 to 20 mA, and 0 to 10 V
- START/STOP, CW/CCW via contact closure
- Handheld remote, cable, and foot switch options; order separately under "Accessories"

Modular Drive with Washdown, Wall-Mount Controller

- Remote control via 18-pin weather-resistant circular connection on bottom of controller
- Speed control input: 4 to 20 mA, and 0 to 10 V
- START/STOP, CW/CCW via contact closure
- Remote cable and foot switch options; order separately under "Accessories"

SELECTION CRITERIA

- Motor rpm / flow rate.
 - Number of pump heads accepted.
 - Benchtop or washdown, wall-mount controller.
- Order pump heads and tubing separately.**

ISO 9001:2008
CERTIFIED SUPPLIER

ETL US

CE

07557-60
and -70

2 year
warranty

ORDERING INFORMATION

| Catalog number | rpm | Power (50/60 Hz) |
|---|----------|------------------|
| Benchtop precision modular drive | | |
| HL-07557-00 | 6 to 600 | 90 to 260 VAC |
| HL-07557-10 | 1 to 100 | |
| Precision modular drive with washdown controller | | |
| HL-07557-60 | 6 to 600 | 90 to 260 VAC |
| HL-07557-70 | 1 to 100 | |

L/S PUMP TUBING FLOW RATE INFORMATION (mL/MIN)

Order Masterflex L/S pump tubing separately on pages 68–73.

| Tubing cross section | L/S Precision pump tubing | | | | | | L/S High-performance Precision pump tubing | | | |
|---------------------------|---------------------------|------------|------------|------------|------------|------------|--|----------------------------|----------------------------|----------------------------|
| | L/S 13 | L/S 14 | L/S 16 | L/S 25 | L/S 17 | L/S 18 | L/S 15 | L/S 24 | L/S 35 | L/S 36 |
| Flow range @ 6 to 600 rpm | 0.36 to 36 | 1.3 to 130 | 4.8 to 480 | 10 to 1000 | 17 to 1700 | 23 to 2300 | 10 to 1000 (11 to 1100) | 17 to 1700 (18 to 1800) | 23 to 2300 (26 to 2600) | 29 to 2900 (34 to 3400) |
| Flow range @ 1 to 100 rpm | 0.06 to 6 | 0.21 to 21 | 0.8 to 80 | 1.7 to 170 | 2.8 to 280 | 3.8 to 380 | 1.7 to 170 (1.8 to 180) | 2.8 to 280 (3.0 to 300) | 3.8 to 380 (4.3 to 430) | 4.8 to 480 (5.8 to 580) |

Note: Flow rates were determined using water at room temperature and with zero back pressure and zero suction lift. Higher flow rates in parentheses can be obtained only with High-Performance pump head.

SPECIFICATIONS for L/S Variable-Speed Precision Modular Drives

| Catalog number | HL-07557-00 | HL-07557-10 | HL-07557-60 | HL-07557-70 |
|-----------------------------------|---|---|-----------------------|--|
| Performance Specifications | | | | |
| Flow capacity | 0.36 to 3400 mL/min | 0.06 to 580 mL/min | 0.36 to 3400 mL/min | 0.06 to 580 mL/min |
| rpm | 6 to 600 | 1 to 100 | 6 to 600 | 1 to 100 |
| Number of heads accepted | 2 | 4 | 2 | 4 |
| Maximum torque | Starting | 381 N·cm (540 oz-in) | 763 N·cm (1080 oz-in) | 381 N·cm (540 oz-in) |
| | Running | 127 N·cm (180 oz-in) | 254 N·cm (360 oz-in) | 127 N·cm (180 oz-in) |
| Reversible | Yes | | | |
| External control – Input | 4 to 20 mA, 0 to 10 V; START/STOP, CW/CCW via contact closure | | | |
| External control – Output | Not applicable | | | |
| Electrical Specifications | | | | |
| Voltage/Frequency VAC (Hz) | 90 to 260 (50/60) | | | |
| Current | 2.2 A at 115 V; 1.1 A at 230 V | | | |
| Fuse rating | 3.15 A / 250 V | | | |
| Motor type | Continuous duty, TENV, permanent magnet DC | | | |
| Motor size | 75 W (1/10 hp) | | | |
| Display | Three-digit LED | | | |
| Motor/speed control type | PWM | | | |
| Speed regulation | ±0.25% | | | |
| Soft start/Electronic brake | Yes/No | | | |
| Physical Specifications | | | | |
| Housing materials | Drive | Painted steel and aluminum | | Painted steel and aluminum |
| | Controller | ABS plastic housing, coated aluminum chassis | | Painted aluminum |
| IP rating† | | IP33 | | IP66 (NEMA 4X) |
| Agency listings | ETL, cETL, CE | | | |
| Operating temperature | 0 to 40°C (32 to 104°F) | | | |
| Storage temperature | -25 to 65°C (-13 to 149°F) | | | |
| Dimensions (L x W x H) | Drive | 27.7 x 9.7 x 11.7 cm (10 7/8" x 3 3/4" x 4 5/8") | | 36.2 x 17.8 x 16.5 cm (14 1/4" x 7" x 6 1/2") |
| | Controller | 26.3 x 21.1 x 14.0 cm (10 3/8" x 8 3/8" x 5 1/2") | | 28.5 x 27.9 x 11.9 cm (10 1/8" x 11" x 4 3/4") |
| Shipping weight | 7.1 kg (15.6 lb) | | 14.1 kg (31.1 lb) | |

†See page 194 for an explanation of IP ratings.

ACCESSORIES

For Benchtop Models 07557-00, -10

HL-07557-51 Extension cable, 2.7 m (9 ft), to extend distance between motor and controller.

HL-07528-80 Handheld remote controller; control start/stop and direction; route tubing through handle for dispensing and filling applications; 1.8-m (6-ft) cable.

HL-07595-47 Cable assembly, DB9 male connector and 7.9-m (25-ft) cable with stripped wire terminal ends. Use for remote control.

HL-77595-35 Foot switch, DB9 male, with 1.8-m (6-ft) cable.

HL-17050-01 NIST-traceable calibration with data for peristaltic pump drive.

For Washdown Models 07557-60, -70

HL-07557-51 Extension cable, 2.7 m (9 ft), to extend distance between motor and controller.

HL-77300-32 Cable assembly, 18-pin round connector and 7.9-m (25-ft) cable with stripped wire terminal ends. Use for remote control.

HL-07595-43 Washdown foot switch, 18-pin round with 1.8-m (6-ft) cable.

HL-17050-01 NIST-traceable calibration with data for peristaltic pump drive.

STANDARD
0.06 to 2900 mL/min
pages 40–41



HIGH-PERFORMANCE
0.9 to 3400 mL/min
pages 48–49



MULTICHANNEL CARTRIDGE
3- or 4-roller;
up to 8 channels
0.047 to 1700 mL/min
pages 56–57



EASY-LOAD® 3
0.06 to 2900 mL/min
pages 42–43



PTFE-TUBING
0.06 to 65 mL/min
pages 50–51



6- or 8-roller;
up to 12 channels
0.0005 to 350 mL/min
pages 58–59

EASY-LOAD® II
0.06 to 2900 mL/min
pages 44–45



MULTICHANNEL
4- or 8-channel
for microbore tubing
0.0026 to 200 mL/min
pages 52–53



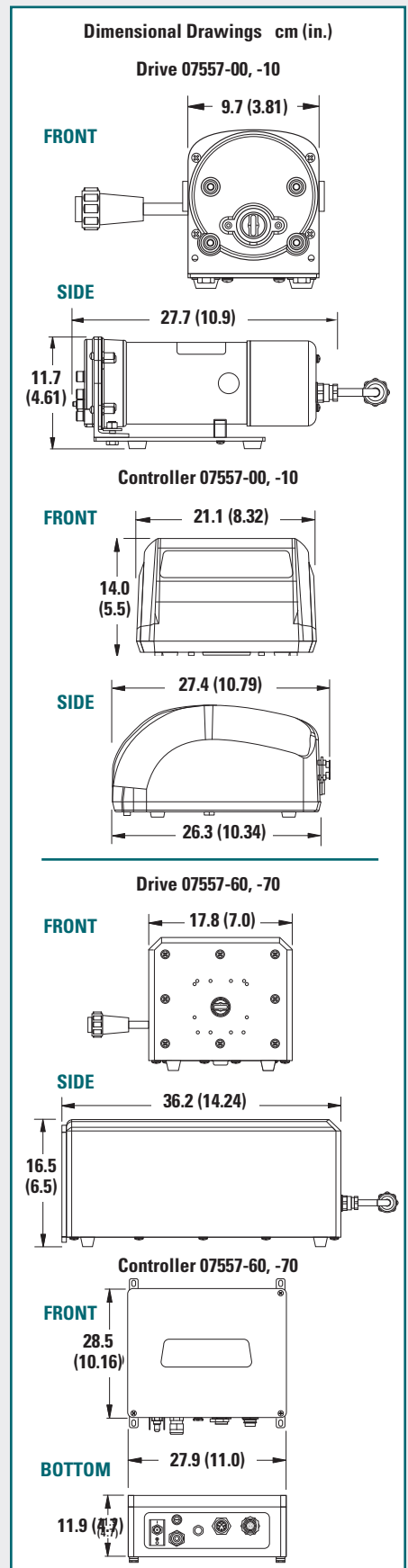
PTFE-DIAPHRAGM
10 to 800 mL/min
pages 60–61



EASY-LOAD®
0.06 to 2300 mL/min
pages 46–47



2-, 4-, or 8-channel
for L/S® Precision
tubing
0.045 to 2300 mL/min
pages 54–55



L/S® VARIABLE-SPEED DIGITAL STANDARD DRIVE

FEATURES/BENEFITS

- ▶ Flow rates: 0.001 to 3400 mL/min (0.0001 to 54 GPH) with L/S tubing
- ▶ Cartridge flow rate: 0.00001 to 1700 mL/min per channel
- ▶ Four-line graphical LCD display shows four operating modes: continuous run, volume dispense, time dispense, and copy dispense—interface permits precise setting of desired flow rate or volume without over- or undershoot
- ▶ Menu-driven interface lets you select one of seven languages for programming and operation
- ▶ Set time interval (delay) between dispense cycles for hands-free dispensing
- ▶ Antidrip function ensures dispensing accuracy
- ▶ Batch count lets you set the desired number of batches and displays batches completed
- ▶ Cumulative volume function (totalizer) tracks total volume dispensed/pumped
- ▶ User-selectable metric or English units
- ▶ PWM speed control with tachometer feedback for precise, efficient control; ±0.1% speed control accuracy
- ▶ Reversible, maintenance-free brushless motor
- ▶ Drive stores one calibration value per tubing size, even when turned off
- ▶ Stackable housing is IP33 rated for wipedown
- ▶ Universal voltage, 90 to 260 VAC autoselect, 50/60 Hz
- ▶ Compatible with all L/S pump heads

DRIVE CONTROLS

- ▶ Protected power switch located on back of drive
- ▶ Lighted display indicates power is on
- ▶ Simple programming and operation of the following via sealed membrane keypad:
 - ◆ Tubing size
 - ◆ Flow rate
 - ◆ Flow direction
 - ◆ Flow units (metric or English)
 - ◆ Motor speed (rpm)
 - ◆ Total volume
 - ◆ Dispense (volume/copy/time)
 - ◆ Antidrip
 - ◆ Batch count
 - ◆ On/off time
 - ◆ Control mode (remote/internal)
 - ◆ Prime
 - ◆ Start/stop
 - ◆ Calibration

SETUP

1. Mount pump head(s) and load tubing.
2. Turn drive power on and select language.
3. Select manual (internal) or remote control.
4. Select motor direction.
5. Prime and calibrate pump if required.
6. Set flow rate through keypad.
7. Press START key to begin pumping.

SPEED CONTROL/CIRCUITRY

- ▶ Regulate motor through keypad and menus, 4 to 20 mA, or 0 to 10 V signal
- ▶ Soft start for starts without power surges
- ▶ Speed not affected by variations in power line voltage (VAC) and frequency (Hz)
- ▶ Line filters reduce outside interference
- ▶ Meets UL 61010-1, CSA C22.2, No. 61010-1; For CE mark: EN61010-1 (EU low voltage) and EN61326-1 (EU EMC)

REMOTE CONTROL

- ▶ Speed control input: 0 to 20 mA, 4 to 20 mA, and 0 to 10 V (scaleable/invertable)
- ▶ Speed signal output: 0 to 20 mA, 4 to 20 mA, and 0 to 10 V (scaleable/invertable)
- ▶ START/STOP, CW/CCW, PRIME via contact closure
- ▶ Tach output: open collector
- ▶ Motor running indicator
- ▶ 25-pin (DB25) female connection
- ▶ Handheld remote and foot switch options; order separately under "Accessories"

CALIBRATION

1. Select TUBING CAL through the Main or Setup menu.
2. Set flow direction, tubing size, and flow rate.
3. Prime the tubing
4. Highlight START and press ENTER, drive will run based on default volume.
5. Press ENTER and adjust CAL VOLUME to the actual measured volume.
6. Press ENTER to SAVE setting and EXIT.

Note: Digital signal processor retains one calibration value for each tubing size, even when power is turned off.

NEW



L/S digital standard drive 07522-20 shown with multichannel pump head 07535-04

KEYPAD LOCK/UNLOCK FEATURE

- ▶ Lock keypad and protect settings by highlighting the lock icon and pressing ENTER
- ▶ Select LOCK and press ENTER to exit menu
- ▶ Repeat above steps to unlock keypad

ISO9001:2008
CERTIFIED SUPPLIER



CE 2 year warranty

ORDERING INFORMATION

| Catalog number | rpm | Power (50/60 Hz) universal voltage |
|----------------|-------------|------------------------------------|
| HL-07522-20 | 0.1 to 600 | 90 to 260 VAC |
| HL-07522-30 | 0.02 to 100 | |

L/S PUMP TUBING FLOW RATE INFORMATION (mL/min)

Order Masterflex L/S pump tubing separately on pages 68–73.

| Tubing cross section | L/S Precision pump tubing | | | | | | L/S High-performance Precision pump tubing | | | |
|------------------------------|---------------------------|--------------|-------------|--------------|--------------|--------------|--|-----------------------------|-----------------------------|-----------------------------|
| | L/S 13 | L/S 14 | L/S 16 | L/S 25 | L/S 17 | L/S 18 | L/S 15 | L/S 24 | L/S 35 | L/S 36 |
| Flow range @ 0.1 to 600 rpm | 0.006 to 36 | 0.021 to 130 | 0.08 to 480 | 0.17 to 1000 | 0.28 to 1700 | 0.38 to 2300 | 0.17 to 1000 (0.18 to 1100) | 0.28 to 1700 (0.30 to 1800) | 0.38 to 2300 (0.43 to 2600) | 0.48 to 2900 (0.58 to 3400) |
| Flow range @ 0.02 to 100 rpm | 0.001 to 6 | 0.004 to 21 | 0.016 to 80 | 0.033 to 170 | 0.057 to 280 | 0.077 to 380 | 0.033 to 170 (0.036 to 180) | 0.057 to 280 (0.057 to 300) | 0.077 to 380 (0.086 to 430) | 0.096 to 480 (0.113 to 580) |

Note: Flow rates in parentheses can be obtained only with High-Performance pump heads.

SPECIFICATIONS for L/S Variable-Speed Digital Standard Drive

| | | |
|---|--|------------------------------------|
| Catalog number | HL-07522-20 | HL-07522-30 |
| Performance Specifications | | |
| Flow capacity | 0.006 to 3400 mL/min (0 to 54 GPH) | 0.001 to 580 mL/min (0 to 9.2 GPH) |
| rpm | 0.1 to 600 | 0.02 to 100 |
| Number of heads accepted | 2 | 4 |
| Maximum torque | Starting | 381 N-cm (540 oz-in) |
| | Running | 127 N-cm (180 oz-in) |
| Reversible | Yes | |
| | External control – Input | |
| 0-20 mA, 4-20 mA, 0-10 V; START/STOP, CW/CCW, PRIME via contact closure | | 763 N-cm (1080 oz-in) |
| External control – Output | | 254 N-cm (360 oz-in) |
| 0 to 20 mA, 4 to 20 mA, 0 to 10 V, TTL pulse, drive running | | |
| Electrical Specifications | | |
| Voltage/Frequency VAC (50/60 Hz) | 90 to 260, universal-voltage autoselecting | |
| Current | 2.2 A at 115 V; 1.1 A at 230 V | |
| Fuse rating | 3.15 A / 250 V | |
| Motor type | Continuous-duty, brushless DC | |
| Motor size | 75 W (1/10 hp) | |
| Display | Four-line graphical LCD | |
| Motor/speed control type | PWM with microprocessor | |
| Speed regulation (repeatability) | ±0.1% (±0.1 rpm at 600 rpm, ±0.01 rpm at 100 rpm) | |
| Soft start/Electronic brake | Yes/Yes | |
| Physical Specifications | | |
| Housing materials | Stackable ABS plastic housing, coated aluminum chassis | |
| IP rating† | IP33 | |
| Agency listings | ETL, cETL, CE | |
| Operating temperature | 0 to 40°C (32 to 104°F) | |
| Storage temperature | -25 to 65°C (-13 to 149°F) | |
| Dimensions (L x W x H) | 27.4 x 21.2 x 21.6 cm (10 7/8" x 8 3/8" x 8 1/2") | |
| Shipping weight | 5.9 kg (13 lb) | |

†See page 194 for an explanation of IP ratings

ACCESSORIES

HL-07523-92 Foot switch, momentary start/stop; 1.8-m (6-ft) cable.

HL-07523-95 Cable assembly, DB25 male connector and 7.9-m (25-ft) cable with stripped wire ends for remote control.

HL-07523-94 DB25 male connector, use to create your own cable.

HL-07523-97 Handheld remote controller; route tubing through handle for dispensing and filling applications; 1.8-m (6-ft) cable.

HL-07523-98 Tilt bail; use to securely elevate front of drive.

HL-17050-01 NIST-traceable calibration with data for peristaltic pump drive.

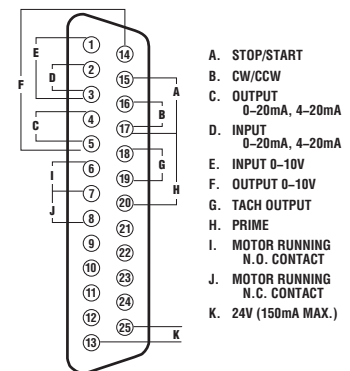
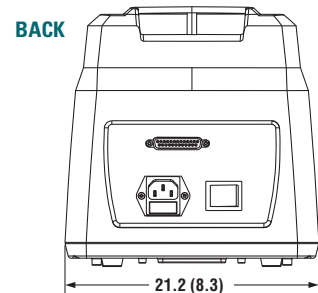
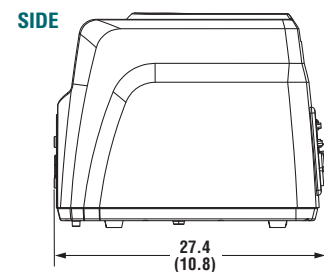
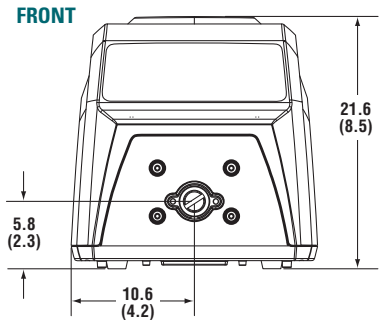
SEE PAGES 108–117

For complete L/S pump systems



77921-65

Dimensional Drawings cm (in.) 07522-series



| | | |
|--|---|--|
| <p>STANDARD 0.001 to 2900 mL/min pages 40–41</p> | <p>HIGH-PERFORMANCE 0.018 to 3400 mL/min pages 48–49</p> | <p>MULTICHANNEL CARTRIDGE 3- or 4-roller; up to 8 channels 0.001 to 1700 mL/min pages 56–57</p> |
| <p>EASY-LOAD® 3 0.001 to 2900 mL/min pages 42–43</p> | <p>PTFE-TUBING 0.001 to 65 mL/min pages 50–51</p> | <p>6- or 8-roller; up to 12 channels 0.00001 to 350 mL/min pages 58–59</p> |
| <p>EASY-LOAD® II 0.001 to 2900 mL/min pages 44–45</p> | <p>MULTICHANNEL 4- or 8-channel for microbore tubing 0.00005 to 200 mL/min pages 52–53</p> | <p>PTFE-DIAPHRAGM 10 to 800 mL/min pages 60–61</p> |
| <p>EASY-LOAD® 0.001 to 2300 mL/min pages 46–47</p> | <p>2-, 4-, or 8-channel for L/S® Precision tubing 0.001 to 2300 mL/min pages 54–55</p> | |

L/S® PUMP HEADS 38–67
L/S® TUBING 68–73
L/S® PUMP SYSTEMS..... 108–117

ACCESSORIES..... 160–171

TECHNICAL DATA..... 172–206

L/S® DIGITAL MODULAR DISPENSING DRIVES

FEATURES/BENEFITS

- ▶ Flow rates: 0.006 to 3400 mL/min with L/S tubing
- ▶ Cartridge flow rate: 0.00005 to 1700 mL/min per channel
- ▶ Modular format lets you separate drive and controller for convenient placement; a 1.8-m (6-ft) control cable is included. Extend that distance with optional 2.7-m (9-ft) extension cable
- ▶ Four-line graphical LCD shows four operating modes: continuous run, volume dispense, time dispense, and copy dispense—interface permits precise setting of desired flow rate or volume without over- or undershoot
- ▶ Select one of seven languages for programming and operation
- ▶ Set time interval (delay) between dispense cycles for hands-free dispensing
- ▶ Antidrip function ensures dispensing accuracy
- ▶ Batch count lets you set the number of batches and displays number of batches completed
- ▶ Cumulative volume function (totalizer) tracks total volume dispensed/pumped
- ▶ User selectable English or metric flow/volume units
- ▶ PWM speed control with tachometer feedback for ±0.1% speed control accuracy
- ▶ Reversible, maintenance-free brushless motor
- ▶ Universal voltage, 90 to 260 VAC autoselect, 50/60 Hz
- ▶ Compatible with all L/S pump heads

DRIVE CONTROLS

- ▶ Protected power switch located on back of drive
- ▶ Lighted display indicates power is on
- ▶ Simple programming and operation of the following via sealed membrane keypad:
 - ◆ Tubing size
 - ◆ Flow rate
 - ◆ Flow direction
 - ◆ Flow units (English or metric)
 - ◆ Motor speed (rpm)
 - ◆ Total volume
 - ◆ Dispense (volume/copy/time)
 - ◆ Batch count
 - ◆ On/off time
 - ◆ Antidrip
 - ◆ Control mode (remote/internal)
 - ◆ Prime
 - ◆ Start/stop
 - ◆ Calibration



Digital modular drive 77301-30 shown with Easy-Load® II pump head 77200-62



NEW
Benchtop modular digital drive 77301-20

SETUP

1. Mount pump head(s) and load tubing.
2. Turn drive power on and select language.
3. Select manual (internal) or remote control.
4. Select motor direction.
5. Prime and calibrate pump if required.
6. Set flow rate through keypad.
7. Press START key to begin pumping.

SPEED CONTROL/CIRCUITRY

- ▶ Regulate motor through keypad and menus, 4 to 20 mA, or 0 to 10 V signal
- ▶ Soft start for starts without power surges
- ▶ Speed not affected by variations in power line voltage (VAC) and frequency (Hz)
- ▶ Line filters reduce outside interference
- ▶ Meets UL 61010-1, CSA C22.2, No. 61010-1; for CE mark: EN61010-1 (EU low voltage) and EN61326-1 (EU EMC)

REMOTE CONTROL

Benchtop Modular Drive

- ▶ Remote control via 25-pin (DB25) female connection on back of controller
- ▶ Speed control input: 0 to 20 mA, 4 to 20 mA, and 0 to 10 V (scaleable/invertable)
- ▶ Speed signal output: 0 to 20 mA, 4 to 20 mA, and 0 to 10 V (scaleable/invertable)
- ▶ START/STOP, CW/CCW, PRIME via contact closure
- ▶ Tach output: open collector
- ▶ Motor running indicator
- ▶ Handheld remote, cable, and foot switch options; order separately under "Accessories"

Modular Drive with Washdown, Wall-Mount Controller

- ▶ Remote control via 31-pin weather-resistant circular connection on bottom of controller
- ▶ Speed control input: 0 to 20 mA, 4 to 20 mA, and 0 to 10 V (scaleable/invertable)
- ▶ Speed signal output: 0 to 20 mA, 4 to 20 mA, and 0 to 10 V (scaleable/invertable)
- ▶ START/STOP, CW/CCW, PRIME via contact closure
- ▶ Tach output: open collector
- ▶ Motor running indicator
- ▶ Remote cable and foot switch options; order separately under "Accessories"

CALIBRATION

1. Select TUBING CAL via the Main or Setup menu.
2. Set flow direction, tubing size, and flow rate.
3. Prime the tubing.
4. Highlight START and press ENTER, drive will run based on default volume.
5. Press ENTER and adjust CAL VOLUME to the actual measured volume.
6. Press ENTER to SAVE setting and EXIT.

NOTE: Digital signal processor retains one calibration value for each tubing size, even when power is turned off.



ORDERING INFORMATION

| Catalog number | rpm | Power (50/60 Hz) |
|---|------------|------------------|
| Benchtop digital modular drive | | |
| HL-77301-40 | 0.1 to 600 | 90 to 260 VAC |
| Digital modular drive with washdown controller | | |
| HL-77301-50 | 0.1 to 600 | 90 to 260 VAC |

L/S PUMP TUBING FLOW RATE INFORMATION (mL/MIN)

Order Masterflex L/S pump tubing separately on pages 68–73.

| Tubing cross sections | L/S Precision pump tubing | | | | | | L/S High-performance Precision pump tubing | | | |
|-----------------------------|---------------------------|--------------|-------------|--------------|--------------|--------------|--|--------------------------------|--------------------------------|--------------------------------|
| | L/S 13 | L/S 14 | L/S 16 | L/S 25 | L/S 17 | L/S 18 | L/S 15 | L/S 24 | L/S 35 | L/S 36 |
| Flow range @ 0.1 to 600 rpm | 0.006 to 36 | 0.021 to 130 | 0.08 to 480 | 0.17 to 1000 | 0.28 to 1700 | 0.38 to 2300 | 0.18 to 1000 (0.18 to 1100) | 0.28 to 1700 (0.30 to 1800) | 0.38 to 2300 (0.43 to 2600) | 0.48 to 2900 (0.58 to 3400) |

Note: Higher flow rates in parentheses can be obtained only with High-Performance pump head.

SPECIFICATIONS for L/S Digital Modular Dispensing Drives

| Catalog number | | HL-77301-40 | HL-77301-50 |
|-----------------------------------|------------|--|--|
| Performance Specifications | | | |
| Flow capacity | | 0.006 to 3400 mL/min (0 to 54 GPH) | |
| rpm | | 0.1 to 600 | |
| Number of heads accepted | | 2 | |
| Maximum torque | Starting | 381 N-cm (540 oz-in) | |
| | Running | 127 N-cm (180 oz-in) | |
| Reversible | | Yes | |
| External control – Input | | 0 to 20 mA, 4 to 20 mA, 0 to 10 V; START/STOP, CW/CCW, PRIME via contact closure | |
| External control – Output | | 1 to 20 mA, 4 to 20 mA, 0 to 10 V; TTL pulse, drive running | |
| Electrical Specifications | | | |
| Voltage/Frequency VAC (Hz) | | 90 to 260 (50/60) | |
| Current | | 1.8 A at 115 V; 1.1 A at 230 V | |
| Fuse rating | | 3.15 A / 250 V | |
| Motor type | | Continuous duty, brushless DC | |
| Motor size | | 75 W (1/10 hp) | |
| Display | | Four-line graphical LCD | |
| Motor/speed control type | | PWM with microprocessor | |
| Speed regulation | | ±0.1% | |
| Soft start/Electronic brake | | Yes/Yes | |
| Physical Specifications | | | |
| Housing materials | Drive | Painted steel and aluminum | Painted steel and aluminum |
| | Controller | ABS plastic housing, coated aluminum chassis | Painted aluminum |
| IP rating | | IP33 | IP66 (NEMA 4X) |
| Agency listings | | ETL, cETL, CE | |
| Operating temperature | | 0 to 40°C (32 to 104°F) | |
| Storage temperature | | -25 to 65°C (-13 to 149°F) | |
| Dimensions (L x W x H) | Drive | 22.7 x 9.7 x 12 cm (8 7/8" x 3 3/4" x 4 3/4") | 36.2 x 17.8 x 16.5 cm (14 1/4" x 7" x 6 1/2") |
| | Controller | 26.3 x 21.1 x 14.0 cm (10 3/8" x 8 3/8" x 5 1/2") | 28.5 x 27.9 x 11.9 cm (10 1/8" x 11" x 4 3/4") |
| Shipping weight | | 7.1 kg (15.6 lb) | 14.1 kg (31.1 lb) |

ACCESSORIES

For Benchtop Model 77301-40

HL-07523-97 Handheld remote controller; control start/stop, direction, and prime; route tubing through handle for dispensing and filling applications; 1.8-m (6-ft) cable.

HL-07523-92 Foot switch, momentary start/stop; 1.8-m (6-ft) cable.

HL-07523-95 Cable assembly, DB25 male connector and 7.9-m (25-ft) cable with stripped wire ends for remote control.

HL-77301-82 Extension cable, 2.7 m (9 ft), for benchtop modular drive 77301-40; extends distance between motor and controller.

HL-17050-01 NIST-traceable calibration with data for peristaltic pump drive.

For Washdown Model 77301-50

HL-07575-84 Washdown foot switch, momentary start/stop; 1.8-m (6-ft) cable.

HL-77301-82 Extension cable, 2.7 m (9 ft), for washdown modular drive 77301-50; extends distance between motor and controller.

HL-07575-80 Remote control cable; wire to controller/PLC; 8.3-m (25-ft) length.

HL-17050-01 NIST-traceable calibration with data for peristaltic pump drive.


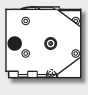



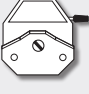
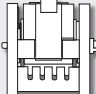
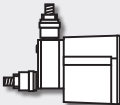
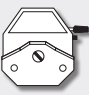
KEYPAD LOCK/UNLOCK FEATURE

- Lock keypad and protect settings by highlighting the lock icon and pressing ENTER.
- Select LOCK and press ENTER to exit menu.
- Repeat above steps to unlock keypad.

SELECTION CRITERIA

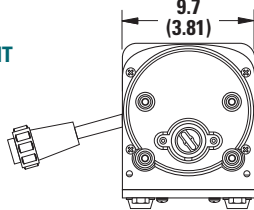
- Motor rpm / flow rate.
- Number of pump heads accepted.
- Benchtop or washdown, wall-mount controller.

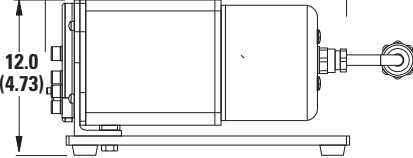
Order pump heads and tubing separately.

| | | | | | |
|--|---|---|---|---|---|
| STANDARD 0.06 to 2900 mL/min pages 40–41 |  | HIGH-PERFORMANCE 0.9 to 3400 mL/min pages 48–49 |  | MULTICHANNEL CARTRIDGE 3- or 4-roller; up to 8 channels 0.047 to 1700 mL/min pages 56–57 |  |
| EASY-LOAD® 3 0.06 to 2900 mL/min pages 42–43 |  | PTFE-TUBING 0.06 to 65 mL/min pages 50–51 |  | 6- or 8-roller; up to 12 channels 0.0005 to 350 mL/min pages 58–59 | |
| EASY-LOAD® II 0.06 to 2900 mL/min pages 44–45 |  | MULTICHANNEL 4- or 8-channel for microbore tubing 0.0026 to 200 mL/min pages 52–53 |  | PTFE-DIAPHRAGM 10 to 800 mL/min pages 60–61 |  |
| EASY-LOAD® 0.06 to 2300 mL/min pages 46–47 |  | 2-, 4-, or 8-channel for L/S® Precision tubing 0.045 to 2300 mL/min pages 54–55 | | | |

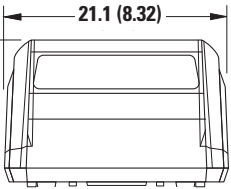
Dimensional Drawings cm (in.)

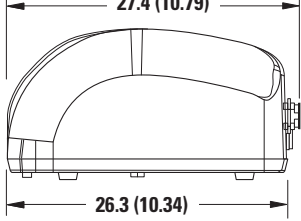
77301-40 Drive

FRONT  9.7 (3.81)

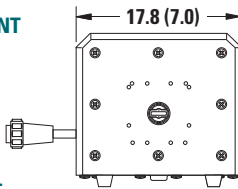
SIDE  22.7 (8.91) 12.0 (4.73)

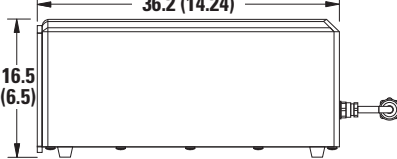
77301-40 Controller

FRONT  21.1 (8.32) 14.0 (5.5)

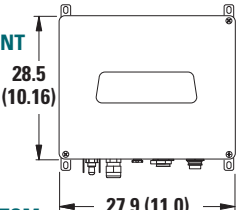
SIDE  27.4 (10.79) 26.3 (10.34)


77301-50 Drive

FRONT  17.8 (7.0)

SIDE  36.2 (14.24) 16.5 (6.5)

77301-50 Controller

FRONT  28.5 (10.16)

BOTTOM  27.9 (11.0) 11.9 (4.7)

L/S® DIGITAL PROCESS DRIVES

FEATURES/BENEFITS

- ▶ Flow rates: 0.006 to 3400 mL/min (0.0001 to 54 GPH) with L/S tubing
- ▶ Cartridge flow rate: 0.0005 to 1700 mL/min per channel
- ▶ Washdown process drive is IP66, NEMA 4X rated
- ▶ Model 07575-10 with electropolished 316 stainless steel housing withstands common cleaning and sanitizing solutions; use powder-coat steel model 07575-20 in applications where stainless steel is not a critical requirement
- ▶ Four-line graphical LCD shows four operating modes: continuous run, volume dispense, time dispense, and copy dispense—interface permits precise setting of desired flow rate or volume without over- or undershoot
- ▶ Menu-driven interface lets you select one of seven languages for programming and operation
- ▶ Set time interval (delay) between dispense cycles for hands-free dispensing
- ▶ Batch count lets you set the desired number of batches and displays number completed
- ▶ Cumulative volume function (totalizer) tracks total volume dispensed/pumped
- ▶ User-selectable metric or English units
- ▶ PWM speed control with tachometer feedback for ±0.1% speed control accuracy
- ▶ Reversible, maintenance-free brushless motor
- ▶ Drive stores one calibration value per tubing size
- ▶ Universal voltage, 90 to 260 VAC autoselect
- ▶ Compatible with all L/S pump heads

DRIVE CONTROLS

- ▶ Protected power switch located on back of drive
- ▶ Lighted display indicates power is on
- ▶ Simple programming and operation of the following via sealed membrane keypad:
 - ◆ Tubing size
 - ◆ Flow rate
 - ◆ Flow direction
 - ◆ Flow units (metric or English)
 - ◆ Motor speed (rpm)
 - ◆ Total volume
 - ◆ Dispense (volume/copy/time)
 - ◆ Batch count
 - ◆ On/off time
 - ◆ Control mode (remote/internal)
 - ◆ Prime
 - ◆ Start/stop
 - ◆ Calibration



L/S digital process drive 07575-10 shown with High-Performance pump head 77250-62



L/S digital process drive 07575-20 shown with Easy-Load® II pump head 77200-62

SETUP

1. Mount pump head(s) and load tubing.
2. Turn drive power on and select language.
3. Select manual (internal) or remote control.
4. Select motor direction.
5. Prime and calibrate pump if required.
6. Set flow rate through keypad.
7. Press START key to begin pumping.

SPEED CONTROL/CIRCUITRY

- ▶ Regulate motor through keypad and menus, 4 to 20 mA, or 0 to 10 V signal
- ▶ Soft start for starts without power surges
- ▶ Speed not affected by variations in power line voltage (VAC) and frequency (Hz)
- ▶ Line filters reduce outside interference
- ▶ Meets UL 61010-1, CSA C22.2, No. 61010-1; For CE mark: EN61010-1 (EU low voltage) and EN61326-1 (EU EMC)

REMOTE CONTROL

- ▶ Speed control input: 0 to 20 mA, 4 to 20 mA, and 0 to 10 V (scaleable/invertible)
- ▶ Speed signal output: 0 to 20 mA, 4 to 20 mA, and 0 to 10 V (scaleable/invertible)
- ▶ START/STOP, CW/CCW, PRIME via contact closure
- ▶ Tach output: open collector
- ▶ Motor running indicator
- ▶ 31-pin circular waterproof connection
- ▶ Remote control and foot switch options; order separately under "Accessories"



ORDERING INFORMATION

| Catalog number | rpm | Power (50/60 Hz) universal voltage |
|---|------------|------------------------------------|
| Digital process drive with 316 stainless steel housing | | |
| HL-07575-10 | 0.1 to 600 | 90 to 260 VAC |
| Digital process drive with powder-coat steel housing | | |
| HL-07575-20 | 0.1 to 600 | 90 to 260 VAC |

L/S PUMP TUBING FLOW RATE INFORMATION (mL/MIN)

Order Masterflex L/S pump tubing separately on pages 68-73

| Tubing cross section | L/S Precision pump tubing | | | | | | L/S High-performance Precision pump tubing | | | |
|-----------------------------|---------------------------|-------------|-------------|--------------|--------------|--------------|--|-----------------------------|-----------------------------|-----------------------------|
| | | | | | | | | | | |
| Flow range @ 0.1 to 600 rpm | 0.006 to 36 | 0.02 to 130 | 0.08 to 480 | 0.17 to 1000 | 0.28 to 1700 | 0.38 to 2300 | 0.17 to 1000 (0.18 to 1100) | 0.28 to 1700 (0.30 to 1800) | 0.38 to 2300 (0.43 to 2600) | 0.48 to 2900 (0.57 to 3400) |

Note: Flow rates in parentheses can be obtained only with the High-Performance pump head

SPECIFICATIONS for L/S Digital Process Drives

| | | |
|-----------------------------------|---|-----------------------------|
| Catalog number | HL-07575-10 | HL-07575-20 |
| Performance Specifications | | |
| Flow capacity | 0.006 to 3400 mL/min (0.0001 to 54 GPH) | |
| rpm | 0.1 to 600 | |
| Number of heads accepted | 2 | |
| Maximum torque | Starting | 381 N-cm (540 oz-in) |
| | Running | 127 N-cm (180 oz-in) |
| Reversible | Yes | |
| External control-Input | 0 to 20 mA, 4 to 20 mA, 0 to 10 V; Start/Stop, CW/CCW, Prime | |
| External control-Output | 0 to 20 mA, 4 to 20 mA, 0 to 10 V; TTL; "drive running" contact | |
| Electrical Specifications | | |
| Voltage/Frequency VAC (50/60 Hz) | 90 to 260, universal-voltage, autoselecting | |
| Current | 2.2 A at 115 V; 1.1 A at 230 V | |
| Fuse rating | 3.15 A | |
| Motor type | Continuous-duty, brushless DC | |
| Motor size | 75 W (1/10 hp) | |
| Display | Four-line graphical LCD | |
| Motor/speed control type | PWM with microprocessor | |
| Speed regulation (repeatability) | ±0.1% | |
| Soft-Start/Electronic brake | Yes/Yes | |
| Physical Specifications | | |
| Housing materials | 316 stainless steel, electropolished | Powder-coated steel |
| IP rating [†] | IP66 (NEMA 4X) | |
| Agency listings | ETL, cETL, CE | |
| Operating temperature | 0 to 40°C (32 to 104°F) | |
| Storage temperature | -25 to 65°C (-13 to 149°F) | |
| Dimensions (L x W x H) | 30.5 x 22.9 x 23.6 cm (12" x 9" x 9 1/16") | |
| Shipping weight | 11.8 kg (26 lb) | |

[†]See page 194 for an explanation of IP ratings.

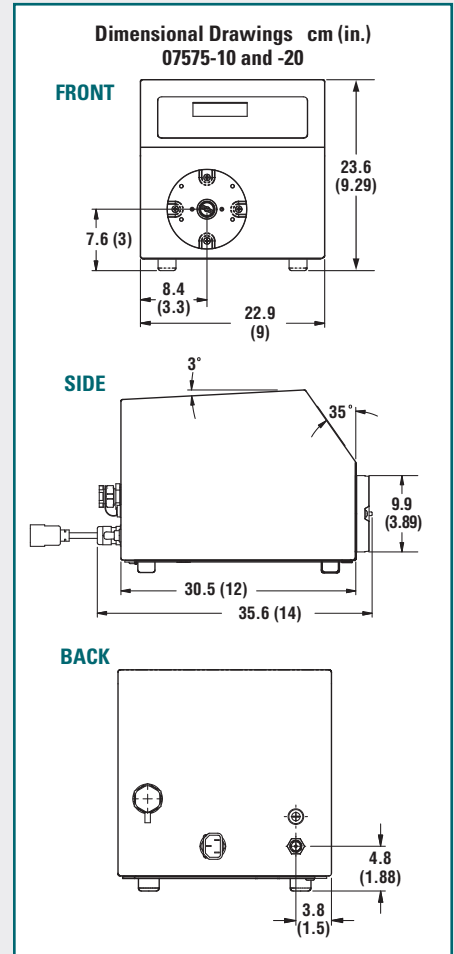
CALIBRATION

1. Select TUBING CAL through the Main or Setup menu.
2. Set flow direction, tubing size, and flow rate
3. Prime the tubing.
4. Highlight START and press ENTER, drive will run based on default volume.
5. Press ENTER and adjust CAL VOLUME to the actual measured volume.
6. Press ENTER to SAVE setting and EXIT.

Note: Digital signal processor retains one calibration value for each tubing size, even when power is turned off.

KEYPAD LOCK/UNLOCK FEATURE

- ▶ Lock keypad and protect settings by highlighting the lock icon and pressing ENTER
- ▶ Select LOCK and press ENTER to exit menu
- ▶ Repeat above steps to unlock keypad



ACCESSORIES

HL-07575-84 Washdown foot switch, momentary start/stop; 1.8-m (6-ft) cable.

HL-07575-80 Remote control cable; wire to controller/PLC; 8.3-m (25-ft) length.

HL-07575-01 Replacement seal kit includes shaft seal, hardware, and gasket.

HL-17050-01 NIST-traceable calibration for peristaltic pump drive.



Pump heads can be stacked on the L/S digital process drive to increase flow rates. Shown are stacked L/S Easy-Load® II pump heads 77200-62.

| | | |
|--|--|--|
| <p>STANDARD 0.006 to 2900 mL/min pages 40-41</p> | <p>HIGH-PERFORMANCE 0.09 to 3400 mL/min pages 48-49</p> | <p>MULTICHANNEL CARTRIDGE 3- or 4-roller; up to 8 channels 0.005 to 1700 mL/min pages 56-57</p> |
| <p>EASY-LOAD® 3 0.006 to 2900 mL/min pages 42-43</p> | <p>PTFE-TUBING 0.006 to 65 mL/min pages 50-51</p> | <p>6- or 8-roller; up to 12 channels 0.00005 to 350 mL/min pages 58-59</p> |
| <p>EASY-LOAD® II 0.006 to 2900 mL/min pages 44-45</p> | <p>MULTICHANNEL 4- or 8-channel for microbore tubing 0.0003 to 200 mL/min pages 52-53</p> | <p>PTFE-DIAPHRAGM 10 to 800 mL/min pages 60-61</p> |
| <p>EASY-LOAD® 0.006 to 2300 mL/min pages 46-47</p> | <p>2-, 4-, or 8-channel for L/S® Precision tubing 0.005 to 2300 mL/min pages 54-55</p> | |

L/S® PUMP HEADS 38-67
L/S® TUBING 68-73
L/S® PUMP SYSTEMS..... 108-117

ACCESSORIES..... 160-171

TECHNICAL DATA..... 172-206

L/S® COMPUTER-COMPATIBLE PROGRAMMABLE DRIVES

FEATURES/BENEFITS

- ▶ Flow rates: 0.001 to 3400 mL/min (0.0001 to 54 GPH) with L/S tubing
- ▶ Cartridge flow rate: 0.00001 to 1700 mL/min per channel
- ▶ Use as a stand-alone digital dispensing drive or interface with a PC for automated and multi-drive applications
- ▶ Four-line graphical LCD shows four operating modes: continuous run, volume dispense, time dispense, and copy dispense
- ▶ Menu-driven interface lets you select from one of seven languages for programming and operation
- ▶ Set time interval (delay) between dispense cycles for hands-free dispensing
- ▶ Batch count lets you set the desired number of batches and displays number of batches completed
- ▶ Cumulative volume function (totalizer) tracks total volume dispensed/pumped
- ▶ User-selectable metric or English flow units
- ▶ PWM speed control with tachometer feedback; ±0.1% speed control accuracy
- ▶ Reversible, maintenance-free brushless motor
- ▶ Drive stores one calibration value per tubing size, even when turned off
- ▶ Stackable housing is IP33 rated for wipedown
- ▶ Compatible with all L/S pump heads

DRIVE CONTROLS

- ▶ Protected power switch located on back of drive
- ▶ Lighted display indicates power is on
- ▶ Simple programming and operation of the following via sealed membrane keypad:
 - ◆ Tubing size
 - ◆ Flow rate
 - ◆ Flow direction
 - ◆ Flow units (metric or English)
 - ◆ Motor speed (rpm)
 - ◆ Total volume
 - ◆ Dispense (volume/copy/time)
 - ◆ Batch count
 - ◆ On/off time
 - ◆ Control mode (remote/internal)
 - ◆ Prime
 - ◆ Start/stop
 - ◆ Calibration

SETUP

1. Mount pump head(s) and load tubing.
2. Turn drive power on and select language.
3. Select manual (internal) or remote control.
4. Select motor direction.
5. Prime and calibrate pump if required.
6. Set flow rate through keypad.
7. Press START key to begin pumping.

SPEED CONTROL/CIRCUITRY

- ▶ Regulate motor through keypad and menus, 4 to 20 mA, or 0 to 10 V signal
- ▶ Soft start for starts without power surges
- ▶ Speed not affected by variations in power line voltage (VAC) and frequency (Hz)
- ▶ Line filters reduce outside interference
- ▶ Meets UL 61010-1, CSA C22.2, No. 61010-1; For CE mark: EN61010-1 (EU low voltage) and EN61326-1 (EU EMC)

REMOTE CONTROL

- ▶ Speed control input: 0 to 20 mA, 4 to 20 mA, and 0 to 10 V (scaleable/invertable)
- ▶ Speed signal output: 0 to 20 mA, 4 to 20 mA, and 0 to 10 V (scaleable/invertable)
- ▶ START/STOP, CW/CCW, PRIME via contact closure
- ▶ Tach output: open collector
- ▶ Motor running indicator
- ▶ 25-pin (DB25) female connection
- ▶ Two programmable auxiliary contacts and auxiliary 24 VDC power supply output
- ▶ Input/output via RS-232 serial (DB9) and USB Type B mini port
- ▶ Handheld remote and foot switch options; order separately under "Accessories"

CALIBRATION

1. Select TUBING CAL through the Main or Setup menu.
2. Set flow direction, tubing size, and flow rate.
3. Prime the tubing.
4. Highlight START and press ENTER, drive will run based on default volume.



L/S® Computer-compatible brushless drive 07551-00 shown with L/S High-performance pump head 77250-62 and L/S 15 PharmaPure® tubing.

5. Press ENTER and adjust CAL VOLUME to the actual measured volume.
6. Press ENTER to SAVE setting and EXIT.

NOTE: Digital signal processor retains one calibration value for each tubing size, even when power is turned off.

KEYPAD LOCK/UNLOCK FEATURE

- ▶ Lock keypad and protect settings by highlighting the lock icon and pressing ENTER
- ▶ Select LOCK and press ENTER to exit menu
- ▶ Repeat above steps to unlock keypad

ISO 9001:2008
CERTIFIED SUPPLIER



ORDERING INFORMATION

| Catalog number | rpm | Power (50/60 Hz) universal voltage |
|----------------|-------------|------------------------------------|
| HL-07551-00 | 0.1 to 600 | 90 to 260 VAC |
| HL-07551-10 | 0.02 to 100 | |

L/S PUMP TUBING FLOW RATE INFORMATION (mL/min)

Order Masterflex L/S pump tubing separately on pages 68–73.

| Tubing cross section | L/S Precision pump tubing | | | | | | L/S High-performance Precision pump tubing | | | |
|------------------------------|---------------------------|--------------|-------------|--------------|--------------|--------------|--|--------------------------------|--------------------------------|--------------------------------|
| | L/S 13 | L/S 14 | L/S 16 | L/S 25 | L/S 17 | L/S 18 | L/S 15 | L/S 24 | L/S 35 | L/S 36 |
| Flow range @ 0.1 to 600 rpm | 0.006 to 36 | 0.021 to 130 | 0.08 to 480 | 0.17 to 1000 | 0.28 to 1700 | 0.38 to 2300 | 0.17 to 1000 (0.18 to 1100) | 0.28 to 1700 (0.30 to 1800) | 0.38 to 2300 (0.43 to 2600) | 0.48 to 2900 (0.58 to 3400) |
| Flow range @ 0.02 to 100 rpm | 0.001 to 6 | 0.004 to 21 | 0.016 to 80 | 0.033 to 170 | 0.057 to 280 | 0.077 to 380 | 0.033 to 170 (0.036 to 180) | 0.057 to 280 (0.057 to 300) | 0.077 to 380 (0.086 to 430) | 0.096 to 480 (0.113 to 580) |

Note: Flow rates in parentheses can be obtained only with Masterflex L/S High-Performance pump heads.

SPECIFICATIONS for L/S Computer-Compatible Programmable Drives

| | | |
|-----------------------------------|--|------------------------------------|
| Catalog number | HL-07551-00 | HL-07551-10 |
| Performance Specifications | | |
| Flow capacity | 0.006 to 3400 mL/min (0 to 54 GPH) | 0.001 to 580 mL/min (0 to 9.2 GPH) |
| rpm | 0.1 to 600 | 0.02 to 100 |
| Number of heads accepted | 2 | 4 |
| Maximum torque | Starting | 381 N-cm (540 oz-in) |
| | Running | 127 N-cm (180 oz-in) |
| Reversible | Yes | |
| External control—Input | RS-232, USB, 0–20 mA, 4–20 mA, 0–10 V; START/STOP, CW/CCW, PRIME via contact closure | |
| External control—Output | RS-232, USB, 0–20 mA, 4–20 mA, 0–10 V, TTL pulse, drive running | |
| Electrical Specifications | | |
| Voltage/Frequency VAC (50/60 Hz) | 90 to 260, universal-voltage autoselecting | |
| Current | 2.2 A at 115 V; 1.1 A at 230 V | |
| Fuse rating | 3.15 A / 250 V | |
| Motor type | Continuous-duty, brushless DC | |
| Motor size | 75 W (1/10 hp) | |
| Display | Four-line graphical LCD | |
| Motor/speed control type | PWM with microprocessor | |
| Speed regulation (repeatability) | ±0.1% (±0.1 rpm at 600 rpm, ±0.01 rpm at 100 rpm) | |
| Soft start/Electronic brake | Yes/Yes | |
| Physical Specifications | | |
| Housing materials | Stackable ABS plastic housing, coated aluminum chassis | |
| IP rating† | IP33 | |
| Agency listings | ETL, cETL, CE | |
| Operating temperature | 0 to 40°C (32 to 104°F) | |
| Storage temperature | –25 to 65°C (–13 to 149°F) | |
| Dimensions (L x W x H) | 27.4 x 21.2 x 21.6 cm (10.8" x 8.3" x 8.5") | |
| Shipping weight | 5.9 kg (13 lb) | |

† See page 194 for an explanation of IP ratings

ACCESSORIES

HL-07523-92 Foot switch, momentary start/stop; 1.8-m (6-ft) cable.

HL-07523-95 Cable assembly, DB25 male connector and 7.9-m (25-ft) cable with stripped wire ends for remote control.

HL-07523-94 DB25 male connector, use to create your own cable.

HL-07523-97 Handheld remote controller; route tubing through handle for dispensing and filling applications; 1.8-m (6-ft) cable.

HL-07523-98 Tilt bail; use to securely elevate front of drive.

HL-17050-01 NIST-traceable calibration for peristaltic pump drive.

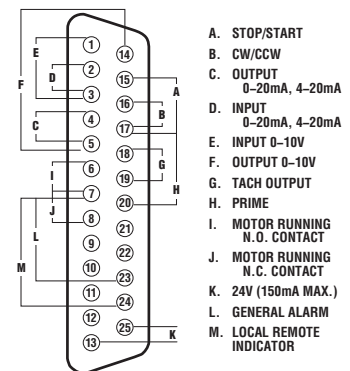
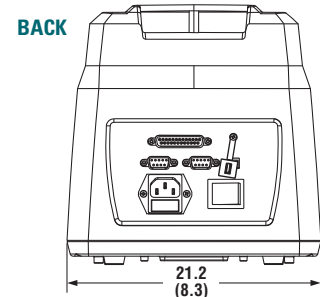
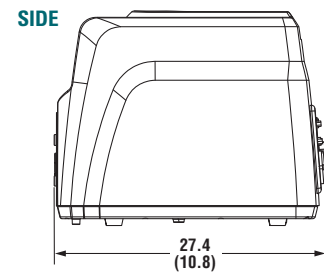
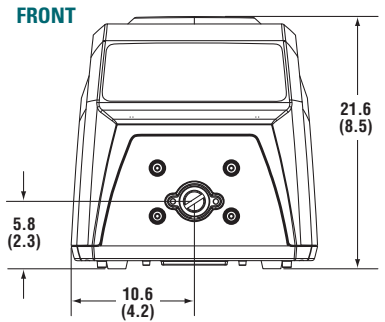
SEE PAGES 108–117

For complete L/S pump systems



77924-50

Dimensional Drawings cm (in.) 07551-series



| | | |
|--|---|--|
| <p>STANDARD 0.001 to 2900 mL/min pages 40–41</p> | <p>HIGH-PERFORMANCE 0.018 to 3400 mL/min pages 48–49</p> | <p>MULTICHANNEL CARTRIDGE 3- or 4-roller; up to 8 channels 0.001 to 1700 mL/min pages 56–57</p> |
| <p>EASY-LOAD® 3 0.001 to 2900 mL/min pages 42–43</p> | <p>PTFE-TUBING 0.001 to 65 mL/min pages 50–51</p> | <p>6- or 8-roller; up to 12 channels 0.00001 to 350 mL/min pages 58–59</p> |
| <p>EASY-LOAD® II 0.001 to 2900 mL/min pages 44–45</p> | <p>MULTICHANNEL 4- or 8-channel for microbore tubing 0.00005 to 200 mL/min pages 52–53</p> | <p>PTFE-DIAPHRAGM 10 to 800 mL/min pages 60–61</p> |
| <p>EASY-LOAD® 0.001 to 2300 mL/min pages 46–47</p> | <p>2-, 4-, or 8-channel for L/S® Precision tubing 0.001 to 2300 mL/min pages 54–55</p> | |

L/S® PUMP HEADS38–67
L/S® TUBING68–73
L/S® PUMP SYSTEMS.....108–117

ACCESSORIES.....160–171

TECHNICAL DATA.....172–206

SERVO DYNE™ ELECTRONIC MIXERS

FEATURES/BENEFITS

- ▶ Modular design features easy customization to suit your needs
- ▶ Convenient, ready-made systems come complete with controller, mixer head, shaft, propeller, clamp, and stand
- ▶ Speed ranges up to 6000 rpm
- ▶ Torque ranges to 360 N-cm
- ▶ All components operate on 115 VAC, 50/60 Hz

COMPUTER COMPATIBILITY

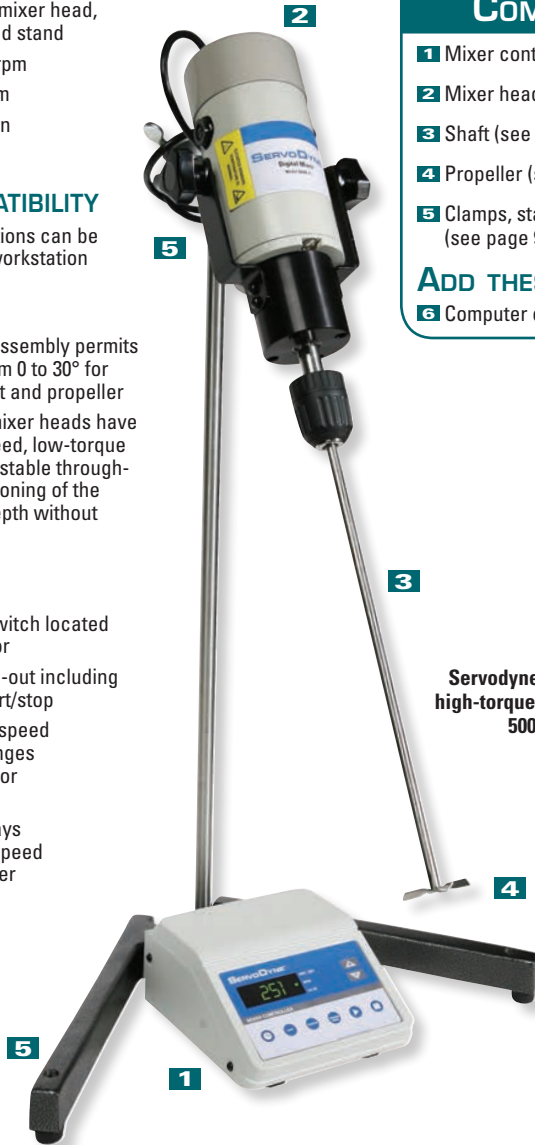
- ▶ All Servodyne mixer functions can be controlled through a PC workstation

MIXER HEADS

- ▶ Adjustable-tilt mounting assembly permits rotation of mixer head from 0 to 30° for proper positioning of shaft and propeller
- ▶ High-torque, low-speed mixer heads have a keyless chuck; high-speed, low-torque mixer heads have an adjustable through-shaft collet to allow positioning of the mixing propeller at any depth without moving the mixer head

DRIVE CONTROLS

- ▶ Protected on/off power switch located on top of each mixer motor
- ▶ LED display provides read-out including time, torque, rpm, and start/stop
- ▶ Precise control of mixing speed within ±0.2% despite changes in viscosity, temperature, or line voltage
- ▶ Optical shaft encoder relays the exact motor rotation speed data to the electronic mixer controller



REQUIRED SYSTEM COMPONENTS

- 1 Mixer controller
- 2 Mixer head
- 3 Shaft (see page 97)
- 4 Propeller (see page 97)
- 5 Clamps, stand and supports (see page 97)

ADD THESE OPTIONS

- 6 Computer cable

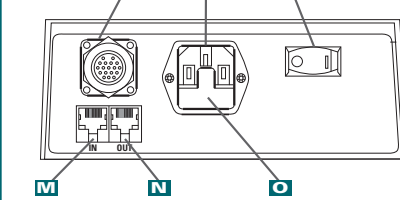
Servodyne low-speed, high-torque mixer system 50008-22

Controller Features

FRONT



REAR



- A Display:** Shows selected mixing time, mixing time remaining, rpm, and torque values.
- B Time:** Starts counting down when the START key is pressed.
- C Rpm:** Displays the last adjusted mixer shaft speed.
- D Torque:** Displays current torque value (oz-in for 115 VAC model, kg-cm for 230 VAC model) and high and low torque limits.
- E Torque zero:** Lets you zero the torque when propeller is running in free air or in a reference fluid.
- F Start:** Operates the mixer shaft. Stops when countdown reaches zero.
- G Stop:** Press at any time to stop rotation of the mixer shaft.
- H Up/down arrow keys:** Adjust time, rpm, and torque parameters.
- I LEDs:** Indicate the function being displayed.
- J Mixer head plug receptacle:** Multipin plug enables microprocessor to identify connected mixer head and properly control speed and torque.
- K IEC 320:** Power entry module.
- L Power switch:** All settings are retained in memory
- M IN RS-232:** Connect cable from host computer.
- N OUT RS-232:** Connect cable to next mixer.
- O Fuse:** T3.15A (115 VAC), T1.6A (230 VAC).

ORDERING INFORMATION

ISO9001:2008
CERTIFIED SUPPLIER



2 year
warranty

| 1 Controller | | 2 Mixer heads | | | | | Complete systems |
|----------------|----------------|------------------------|-------------|------|-------------------|--------------|------------------|
| Catalog number | Catalog number | Description | Speed (rpm) | hp | Max torque (N-cm) | | Catalog number |
| | | | | | Continuous | Intermittent | |
| HL-50008-00 | HL-50008-10 | High torque, low speed | 3 to 180 | 50 W | 240 | 360 | HL-50008-12 |
| | HL-50008-20 | | 20 to 900 | 50 W | 49 | 74 | HL-50008-22 |
| | HL-50008-30 | High speed, low torque | 60 to 2300 | 75 W | 32 | 46 | HL-50008-32 |
| HL-50008-40 | 150 to 6000 | | 75 W | 12 | 18 | HL-50008-42 | |

6 Computer Cable

HL-07550-64 RS-232 interface cable, 2.4-m (8-ft) long. Connects Servodyne mixer system to a PC. RJ11 to DB25 connection; includes DB25/DB9 adapter

Stir-Pak® HEAVY-DUTY MIXERS

FEATURES/BENEFITS

- ▶ Modular design offers maximum versatility, easily customize to your needs
- ▶ Convenient, ready-made systems come complete with controller, mixer head, shaft, propeller, clamp, and stand
- ▶ Speed ranges up to 6000 rpm
- ▶ Torque ranges to 240 N-cm
- ▶ All components operate on 115 VAC, 50/60 Hz

MIXER HEADS

- ▶ Adjustable-tilt mounting assembly permits rotation of mixer head from 0 to 30° for proper positioning of shaft and propeller
- ▶ High-torque, low-speed mixer heads have a keyless chuck; high-speed, low-torque mixer heads have an adjustable through-shaft collet to allow positioning of the mixing propeller at any depth without moving the mixer head

DRIVE CONTROLS

- ▶ Solid-state controller offers precise speed control with a 100:1 adjustment range
- ▶ Separate FORWARD/OFF/REVERSE switch works independently from speed control dial, allowing you to repeat mixer speed settings from one run to the next
- ▶ Electronic control maintains speed regulation better than ±0.2% despite changes in viscosity, temperature, or line voltage
- ▶ Connects to mixer heads via a 1.8-m (6-ft), three-wire cord to protect electronics from hazardous spills or splashes



Stir-Pak® high-speed, low-torque mixer system 50007-32

REQUIRED SYSTEM COMPONENTS

- 1 Speed controller
- 2 Mixer head
- 3 Shaft
- 4 Propeller
- 5 Clamps, stand and supports

ORDERING INFORMATION

ISO9001:2008 CERTIFIED SUPPLIER



2 year warranty

| 1 Controller | | 2 Mixer heads | | | | Complete systems |
|----------------|----------------|------------------------|-------------|------|-------------------|------------------|
| Catalog number | Catalog number | Description | Speed (rpm) | hp | Max torque (N-cm) | Catalog number |
| HL-50007-00 | HL-50007-10 | High torque, low speed | 2 to 180 | 50 W | 240 | HL-50007-12 |
| | HL-50007-20 | | 9 to 900 | 50 W | 49 | HL-50007-22 |
| | HL-50007-30 | High speed, low torque | 23 to 2300 | 75 W | 32 | HL-50007-32 |
| | HL-50007-40 | | 60 to 6000 | 75 W | 12 | HL-50007-42 |

3 Mixing Shafts

Shafts are 316 stainless steel. All 10 mm (3/8") dia shafts are machined on one end to accept a 8 mm (5/16") bore dia propeller.

| Catalog number | Shaft dimensions (dia x L) |
|----------------|----------------------------|
| HL-04552-20 | 8 x 305 mm (5/16" x 12") |
| HL-04552-30 | 8 x 457 mm (5/16" x 18") |
| HL-04552-25 | 10 x 305 mm (3/8" x 12") |
| HL-04552-35 | 10 x 457 mm (3/8" x 18") |
| HL-04552-00 | 10 x 610 mm (3/8" x 24") |
| HL-04552-05 | 10 x 762 mm (3/8" x 30") |

HL-17050-03 NIST-traceable calibration with data for mixer

4 Propellers

Three-bladed electropolished propellers have 8 mm (5/16") bore diameter.

| Catalog number | Overall diameter |
|----------------|------------------|
| HL-04552-40 | 25 mm (1") |
| HL-04552-45 | 38 mm (1 1/2") |
| HL-04552-50 | 51 mm (2") |
| HL-04552-60 | 76 mm (3") |



04552-40



04552-50



04552-60

5 Clamps, Stands, and Supports

HL-04552-65 Tank clamp lets you mount a mixer head and a controller support (either model 04552-70 or 04552-75) directly onto an open top drum or container (maximum 38 mm [1 1/2"] wall thickness)

HL-08041-22 Double clamp for mounting the mixer head onto a stand; holds rods up to 22 mm (7/8") dia

HL-04552-80 Support stand has an electropolished cast steel base and 303 SS support rod measuring 737 mm H x 16 mm dia (29"H x 5/8" dia). Both legs of base accept an optional screw-in support rod

HL-04552-85 Optional screw-in support rod for 04552-80 stand

HL-04552-70 Pivot-mount controller support secures on to the controller. A hinged rod lets you adjust the controller for easy access from various angles. Includes a dual-rod clamp

HL-04552-75 Controller support platform. Mount your controller adjacent to your mixer head. Rack-mount 13 mm (1/2") dia rod fits into a dual-rod clamp (included) or use with our tank clamp 04552-65 (sold above)

L/S® DIGI-STALTIC® MODULAR DISPENSING PUMP SYSTEMS

FEATURES/BENEFITS

- ▶ Deliver flow rates from 0.72 to 5800 mL/min
- ▶ Simultaneously control up to four drives— from one controller or PC workstation
- ▶ Transfer four fluids at the same flow rate or vary each independently
- ▶ Two stacked Easy-Load® II pump heads (included) with offset rollers eliminate pulsation
- ▶ Use as stand-alone system or with PC
- ▶ Ideal for accurate dispensing, diluting, or general fluid transfer
- ▶ Save up to 30 programs into memory; no reprogramming once application is set up
- ▶ No calibration needed with volume changes
- ▶ Input volumes, flow rates, and speed range on 20-key keypad
- ▶ Two sets of NO/NC contacts—“pump running” and “cycle running” signaling at each drive
- ▶ Built-in direct connection and control to Ohaus®, Sartorius®, A & D®, and Mettler Toledo® balances



Digi-Staltic system 77310-00 includes controller, drive, dispensing handle, software (see page 100), and two Easy-Load® II pump heads (77200-62).

DISPENSING/DILUTING

- ▶ Dispense volumes 0.5 mL to 8000 L
- ▶ Cycles: 1 to 999
- ▶ Interval delay time: 0.1 sec to 167 min in 0.1-second increments
- ▶ Dilute sizes: Sample: 0.1 mL to 100.0 mL; Delivery: 0.1 mL to 8000 L
- ▶ Programmable anti-drip feature
- ▶ Audible prompt after completed dispense cycles (immediate to 60 seconds)

COMPUTER COMPATIBILITY

- ▶ All Digi-Staltic pump functions can be controlled through a PC workstation
- ▶ Windows®-compatible CD-ROM software included with each drive—see page 100 for details

SETUP

1. Mount heads, load correct tubing size.
2. Turn on pump drive(s).
3. Select dispense or dilute mode.
4. Input tubing size and select flow rate.
5. Select pumping direction, press ENTER.

REMOTE CONTROL

- ▶ Remote via contact closure on each drive
- ▶ ON/OFF control with dispensing handle (included) or optional foot switch (07595-40)

DRIVE CONTROLS

- ▶ Power switch on front of each drive
- ▶ Lighted display indicates power is on
- ▶ Simple, push-button programming:
 - ◆ SPEED/VOLUME ◆ STOP ALL
 - ◆ ENTER ◆ PUMP #
 - ◆ BACK ◆ CANCEL/STOP
 - ◆ ARROWS (▲)†

ISO9001:2008
CERTIFIED SUPPLIER

UL US

CE 2 year warranty

ORDERING INFORMATION

| Catalog number | rpm | Power, 50/60 Hz |
|--|----------|---|
| For L/S Precision tubing | | |
| HL-77340-00 | 6 to 600 | Selectable†† 90 to 130 and 180 to 260 VAC |
| For L/S High-performance precision tubing | | |
| HL-77310-00 | 6 to 600 | Selectable†† 90 to 130 and 180 to 260 VAC |

†Used to select dispense, dilute, and general transfer programs, and to choose options during programming.

††Operates on 115 VAC or 230 VAC; drive is switch-selectable to meet specific needs.

L/S PUMP TUBING FLOW RATE INFORMATION (mL/min)†

Order Masterflex L/S pump tubing separately on pages 68–73.

| Tubing cross section | L/S Precision pump tubing | | | | | | L/S High-performance Precision pump tubing | | | |
|-----------------------|---------------------------|------------|------------|------------|------------|------------|--|------------|------------|------------|
| | | | | | | | | | | |
| | L/S 13 | L/S 14 | L/S 16 | L/S 25 | L/S 17 | L/S 18 | L/S 15 | L/S 24 | L/S 35 | L/S 36 |
| Flow range @ 6 to 600 | 0.72 to 72 | 2.6 to 260 | 9.6 to 960 | 20 to 2000 | 34 to 3400 | 46 to 4600 | 20 to 2000 | 34 to 3400 | 46 to 4600 | 58 to 5800 |

†Based on the use of two Easy-Load II pump heads; flow rate depends on tubing size.

SPECIFICATIONS for L/S Digi-Staltic Modular Dispensing Pumps

| | | | |
|-----------------------------------|--|--|-------------|
| Catalog number | | HL-77340-00 | HL-77310-00 |
| Performance Specifications | | | |
| Flow capacity | 0.72 to 4600 mL/min (0.012 to 73 GPH) | 20 to 5800 mL/min (0.32 to 92 GPH) | |
| rpm | 6 to 600 | | |
| Number of heads accepted | 2 (included) | | |
| Max torque | Starting | 19.4 kg-cm (270 oz-in) | |
| Max torque | Running | 12.9 kg-cm (180 oz-in) | |
| Reversible | Yes | | |
| External control – Input | Start/Stop +5 VDC, 5 mA | | |
| External control – Output | 28 VAC/VDC, 1 A | | |
| Electrical Specifications | | | |
| Voltage/Frequency VAC (50/60 Hz) | Drives are switch-selectable: 90 to 130 or 180 to 260 VAC | | |
| Current | 1.5 A at 90 to 130 VAC; 0.75 A at 180 to 260 VAC | | |
| Fuse rating | 3.15 A / 250 V | | |
| Motor type | Continuous-duty TENV [†] , permanent-magnet DC | | |
| Motor size | 75 W (1/10 hp) | | |
| Display | Eighty character, 2-line LCD | | |
| Motor/speed control type | Membrane keypad/microprocessor | | |
| Speed regulation (repeatability) | ±0.3% | | |
| Soft start/Electronic brake | Yes/No | | |
| Physical Specifications | | | |
| Housing materials | Steel drive and steel controller enclosure, painted finish | | |
| IP rating [‡] | IP22 | | |
| Agency listings | UL, cUL, CE | | |
| Operating temperature | 0 to 40°C (32 to 104°F) | | |
| Storage temperature | -25 to 65°C (-13 to 149°F) | | |
| Dimensions (L x W x H) | Controller | 16.5 x 22.6 x 6.9 cm (6½" x 9" x 2¾") | |
| | Drive | 31.7 x 23.4 x 18.3 cm (12½" x 9¼" x 7¼") | |
| Shipping weight | 13.7 kg (30 lb) | | |

[†]Totally enclosed, nonventilating. [‡]See page 194 for an explanation of IP ratings.

ACCESSORIES

HL-77340-50 Add-on Digi-Staltic dispensing drive for Precision tubing includes drive and two 77200-60 Easy-Load II pump heads.

HL-77310-50 Add-on Digi-Staltic dispensing drive for High-performance precision tubing includes pump drive and two 77200-62 Easy-Load II pump heads.

HL-77095-03 RJ-12 Cord/cable 3 m (10 ft), for connecting drive to controller (1-m [3½-ft] cord included with each drive).

HL-77095-04 RJ-12 Cord/cable 4.6 m (15 ft), for connecting drive to controller (1-m [3½-ft] cord included with each drive).

HL-77310-01 Replacement Digi-Staltic drive (drive only). Use one or two pump heads per drive.

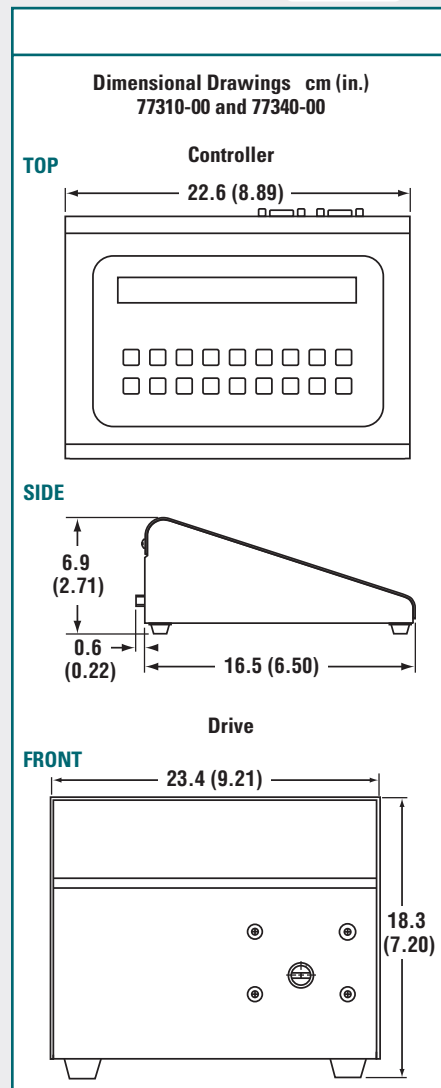
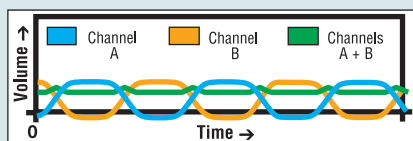
HL-77310-02 Replacement Digi-Staltic controller (controller only).

HL-07595-40 Foot switch, momentary start/stop, 1.8-m (6-ft) cable.

HL-77310-03 Tubing weights of PTFE, flow-through type. Keep tubing in place during dispense cycle; insert into end of tubing and place in receiving vessel. Set of two: one for L/S 16, L/S 15, and L/S 25 size tubing; and one for L/S 17, L/S 18, L/S 24, L/S 35, and L/S 36 size tubing.

REDUCED PULSATION

Minimal pulsation ensures accuracy in peristaltic dispensing. Pulsation causes variations in flow rate and splashing and frothing in the receiving vessel. Combining the split-channel tubing configuration with the offset rollers of two stacked Easy-Load II pump heads merges a pulse from one channel with a trough from the other. The reduced pulsation is measured at the outlet and shown in the graph.



DISPENSING PRECISION

| For all Easy-Load II pump heads | | |
|---------------------------------|------------------------------------|---------------|
| Tubing size | Minimum dose (for ±0.5% precision) | Precision (±) |
| L/S 13 | 3 mL | 15 µL |
| L/S 14 | 11 mL | 55 µL |
| L/S 16 | 40 mL | 200 µL |
| L/S 25 | 84 mL | 420 µL |
| L/S 17 | 140 mL | 0.7 mL |
| L/S 18 | 200 mL | 1 mL |
| L/S 15 | 84 mL | 420 µL |
| L/S 24 | 140 mL | 0.7 mL |
| L/S 35 | 200 mL | 1 mL |
| L/S 36 | 240 mL | 1.2 mL |

L/S® PUMP HEADS 38-67
L/S® TUBING 68-73
L/S® PUMP SYSTEMS..... 108-117

ACCESSORIES..... 160-171

TECHNICAL DATA..... 172-206

L/S® DIGI-STALTIC® SOFTWARE AND BALANCE CAPABILITIES

PROGRAM AND CONTROL YOUR DIGI-STALTIC PUMP SYSTEM FROM YOUR PC

Dispense, Dilute, and Transfer

Masterflex® CD-ROM software is included with each Digi-Staltic dispensing pump system. The software, compatible with Windows® 95/98/NT/2000/XP, enables you to save up to 30 fluid handling programs—any combination of dispense, dilute, or general transfer. Also, it allows you to download new programs to the controller created on your computer; download existing programs on the computer to the controller; upload programs from the controller to make revisions; calibrate pumps from the computer; and review feedback of pump activity on the computer screen.

TYPE OF PROGRAMS

Dispensing

This program dispenses a specific volume at a programmed rate with a delay between cycles. The cycle can be automatic or manual. To program for dispensing, determine:

- ▶ Number of pump heads
- ▶ Tubing size
- ▶ Flow rate
- ▶ Volume
- ▶ Pump direction

Optional parameters include acceleration and deceleration times, anti-drip system, cycle, auto/manual, delay, beep, units of measure, as-well as balance and PC interface.

Diluting

As a diluter, the pump is first primed. Then, a dilute cycle consists of two separate actions—sample and delivery. For diluting, select the following:

- ▶ Number of pump heads
- ▶ Tubing size
- ▶ Flow rate
- ▶ Sample delivery
- ▶ Pump direction

Optional parameters: anti-drip system, hold, acceleration and deceleration times, cycle, auto/manual, delay, beep, and PC interface.

General Transfer

A pump program runs continuously at a programmed rate until the CANCEL/STOP or STOP ALL keys are pressed. For general transfer, choose the following parameters:

- ▶ Number of pump heads
- ▶ Tubing size
- ▶ Flow rate

Optional parameters: anti-drip system, acceleration and deceleration times, pump direction, and PC interface.



This CD-ROM software is included with the Digi-Staltic dispensing systems (77310- and 77340-series). Order on pages 98–99.

PROGRAM PARAMETERS

Program Type: Pump, dispense, dilute

Tubing Size: Size depends on application.

Flow Rate: Software calculates flow range for tubing size selected.

Flow Unit: Choose from mL/min or LPM

Flow Direction: Default direction is CW; in dilute program, sample phase direction is opposite of dilute phase direction.

Acceleration Time: Amount of time to reach programmed speed (0 to 9.9 sec)

Deceleration Time: Amount of time for pump to reach zero from programmed speed (0 to 9.9 sec)

Anti-Drip: Reverse pump direction before stopping to prevent dripping (0 to 10; 10=1 revolution).

Beep Length: End of cycle alert can be programmed from 0 to 60 seconds.

Use Balance: Enables balance use in dispense mode

Continuous Cycling: Program continues until the programmed number of cycles is completed.

Dispense Amount: Volume to be dispensed (0.5 mL to 8000 L)

Dispense Unit: Select units; if balance is selected, unit is set to grams.

Number of Cycles: Number of cycles (single dispense or sample and delivery sequence) to be dispensed (1 to 999)

Program Cycles: Automatic or manual

Delay Between Cycles: Enter delay between cycles in Automatic program (0 to 999.9 sec)

Delivery Amount: Equals sample volume and diluent volume

Delivery Unit: mL, L; g and kg for dispense

Sample Amount: Enter sample volume

Sample Delay: Enter delay time between end of the sampling phase and the beginning of the diluent delivery phase.

Compatibility with Balances

For dispensing applications, the Digi-Staltic® pump controller features a connection to an electronic balance RS-232 cable. A built-in connection and control to Ohaus®, Sartorius®, and A&D® balances eliminates the need to program the controller to read these balances. The Digi-Staltic® pump provides communication through a nine-pin male RS-232 DTE port, and communicates at 9600 baud, 7 databits, 2 stop bits, odd parity.



Balance Interface Cables are 1.8 m (6 ft) in length; use for connecting Digi-Staltic controller to noted balances.

| Catalog number | Description |
|-----------------------------|--|
| HL-77310-06 | Cable for Ohaus and Sartorius balances |
| HL-77310-07 | Cable for A&D balances |



L/S® VARIABLE-SPEED AIR-POWERED DRIVE



L/S variable-speed air-powered drive 07569-00 with L/S Easy-Load® pump head 07518-42



ORDERING INFORMATION

| Catalog number | rpm | Power |
|-----------------------------|-----------|--|
| HL-07569-00 | 60 to 600 | 0.08 to 0.7 m ³ /min (3 to 25 cfm) @ 1.4 to 6.9 bar (20 to 100 psi) |

SPECIFICATIONS

| | | |
|-----------------------------------|--|----------------------|
| Catalog number | HL-07569-00 | |
| Performance Specifications | | |
| Flow capacity | 3.6 to 3400 mL/min (0 to 54 GPH) | |
| rpm | 60 to 600 | |
| Number of heads accepted | 2 | |
| Maximum torque | Starting | 381 N-cm (540 oz-in) |
| | Running | 127 N-cm (180 oz-in) |
| Electrical Specifications | | |
| Motor type | Rotary vane air motor | |
| Motor size | 250 W (1/2 hp) | |
| Speed regulation (repeatability) | ±10% (±15 rpm @ 60 to 150 rpm; ±20 rpm @ 150 to 600 rpm) | |
| Physical Specifications | | |
| Housing material | Painted steel | |
| IP rating [†] | IP44 | |
| Agency listings | CE | |
| Operating temperature | 0 to 40°C (32 to 104°F) | |
| Storage temperature | -10 to 65°C (14 to 149°F) | |
| Dimensions (L x W x H) | 25.1 x 12.2 x 22.4 cm (9 7/8" x 4 13/16" x 8 13/16") | |
| Shipping weight | 6.0 kg (13.2 lb) | |

[†]See page 194 for an explanation of IP ratings.

FEATURES/BENEFITS

- ▶ Deliver flow rates from 3.6 to 3400 mL/min
- ▶ Ideal for locations where electrical power may be unsafe or impractical
 - ◆ Intrinsically safe when properly grounded for static electricity
 - ◆ No electric power required
- ▶ Wide flow control range (10:1 turndown)
- ▶ Compact, portable console package
- ▶ ATEX Zone 2 rated: EEx II 3 G C II C T6; NEC Class 1, Division 2, Groups A, B, C, D, T6

SETUP

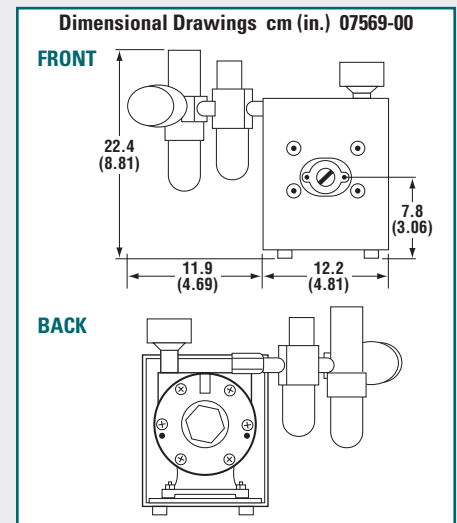
1. Install 0 to 30 psi pressure gauge, pressure regulator with 5-µm filter, automatic lubricator, and muffler (all items included).
2. Connect compressed air line to 1/4" NPT(F) connection on regulator.
3. Mount pump head and load Masterflex L/S pump tubing.
4. Turn on compressed air line.

Air hose and compressor are not included.

PUMP HEADS ACCEPTED

▶ Drive accepts nine different types of L/S pump heads:

| | |
|----------------|------------------------|
| Standard | High-Performance |
| Easy-Load® 3 | PTFE-Tubing |
| Easy-Load II | Multichannel |
| Easy-Load | Multichannel cartridge |
| PTFE-Diaphragm | |



L/S PUMP TUBING FLOW RATE INFORMATION (mL/MIN)

Order Masterflex L/S pump tubing separately on pages 68–73.

| Tubing cross sections | L/S Precision pump tubing | | | | | | L/S High-performance Precision pump tubing | | | |
|----------------------------|---------------------------|-----------|-----------|-------------|-------------|-------------|--|---------------------------|---------------------------|---------------------------|
| | L/S 13 | L/S 14 | L/S 16 | L/S 25 | L/S 17 | L/S 18 | L/S 15 | L/S 24 | L/S 35 | L/S 36 |
| Flow range @ 60 to 600 rpm | 3.6 to 36 | 13 to 130 | 48 to 480 | 100 to 1000 | 170 to 1700 | 230 to 2300 | 100 to 1000 (110 to 1100) | 170 to 1700 (180 to 1800) | 230 to 2300 (260 to 2600) | 290 to 2900 (340 to 3400) |

Note: Flow rates were determined using water at room temperature and with zero back pressure and suction lift. Flow rates in parentheses can be obtained only with the Masterflex L/S High-performance pump head.

L/S® VARIABLE-SPEED HAZARDOUS-DUTY DRIVE

FEATURES/BENEFITS

- Flow rates from 0.6 to 2500 mL/min (0.06 to 11.5 LPM using I/P® pump heads)
- 115 VAC motor: UL-listed for Class 1, Groups C and D, Division 1 hazardous locations
- Ideal for areas that require special electrical precautions

SETUP

- Mount L/S or I/P pump head to mounting plate.
- Load Masterflex® L/S or I/P tubing.
- Turn pump on.

Power switch and line cord are not included.

SPEED CONTROL/CIRCUITRY

- Mechanical speed control (zero-max) with lever
- Locking knob to maintain speed control

PUMP HEADS ACCEPTED

- Drive accepts 11 different pump heads:
 - L/S pump heads: Standard, Easy-Load® 3, Easy-Load II, Easy-Load, High-Performance, PTFE-Tubing, Multichannel Cartridge, PTFE-Diaphragm
 - I/P pump heads: Standard, Easy-Load, High-Performance
- For flow rate information using I/P pump heads, see page 144

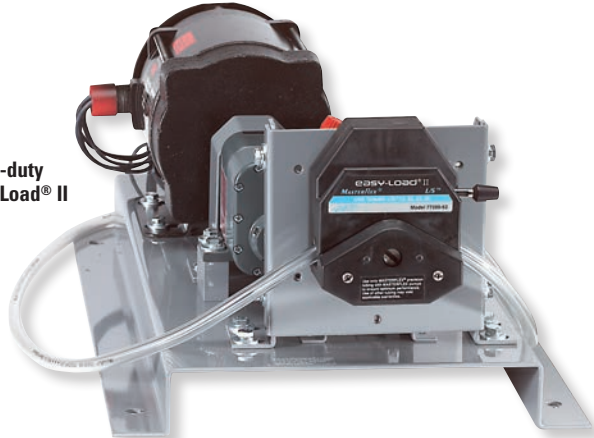
ORDERING INFORMATION

| Catalog number | rpm | Power |
|-----------------------------|-----------|----------------|
| HL-07583-50 | 10 to 430 | 115 VAC, 60 Hz |



I/P Variable-speed hazardous-duty drive 07583-50 with I/P Easy-Load® pump head 77601-00

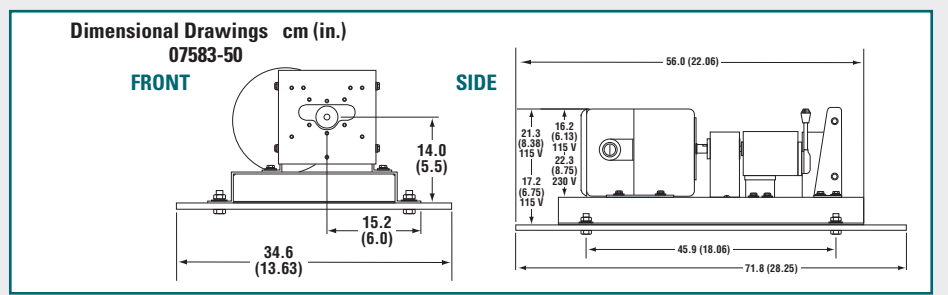
Variable-speed hazardous-duty drive 07583-50 with L/S Easy-Load® II pump head 77200-62



SPECIFICATIONS for L/S Variable-Speed Hazardous-Duty Drive

| | | | |
|-----------------------------------|---|----------------------|--|
| Catalog number | HL-07583-50 | | |
| Performance Specifications | | | |
| Flow capacity† | 0.6 to 2500 mL/min | | |
| rpm | 10 to 430 | | |
| Number of heads accepted | 2 | | |
| Maximum torque | Starting | 572 N-cm (810 oz-in) | |
| | Running | 191 N-cm (270 oz-in) | |
| Reversible | No (CCW from front) | | |
| Electrical Specifications | | | |
| Voltage/Frequency VAC (Hz) | 115 (60) | | |
| Current | 4.7 A | | |
| Motor type | 1725 rpm AC | | |
| Motor size | 190 W (¼ hp) | | |
| Motor/speed control type | Mechanical (zero-max) with lever | | |
| Physical Specifications | | | |
| Housing materials | Painted steel | | |
| IP rating‡ | IP21 | | |
| Dimensions (L x W x H) | 56.0 cm x 34.6 cm x 22.3 cm (22 1/16" x 13 5/8" x 8 3/4") | | |
| Operating temperature | 0 to 40°C (32 to 104°F) | | |
| Storage temperature | -25 to 65°C (-13 to 149°F) | | |
| Shipping weight | 26.6 kg (58.6 lb) | | |

†Depending on drive rpm and tubing size. ‡See page 194 for an explanation of IP ratings.



L/S PUMP TUBING FLOW RATE INFORMATION (mL/MIN)

Order Masterflex L/S pump tubing separately on pages 68–73.

| Tubing sizes | L/S Precision pump tubing | | | | | | L/S High-performance Precision pump tubing | | | |
|----------------------------|---------------------------|-----------|----------|-----------|------------|------------|--|-------------------------|-------------------------|-------------------------|
| | L/S 13 | L/S 14 | L/S 16 | L/S 25 | L/S 17 | L/S 18 | L/S 15 | L/S 24 | L/S 35 | L/S 36 |
| Flow range @ 10 to 430 rpm | 0.6 to 26 | 2.1 to 86 | 8 to 350 | 17 to 730 | 28 to 1200 | 38 to 1600 | 17 to 730 (18 to 780) | 28 to 1200 (30 to 1300) | 38 to 1600 (43 to 1900) | 48 to 2100 (58 to 2500) |

Note: Flow rates were determined using water at room temperature and with zero back pressure and suction lift. Flow rates in parentheses can be obtained only with the Masterflex L/S High-performance pump head.



L/S® NEMA TYPE 56C PUMP HEAD ADAPTERS

FEATURES/BENEFITS

- Deliver flow rates up to 3400 mL/min with Masterflex® L/S pump heads
- Attach your own special motor to meet local electrical standards, hazardous-duty requirements, or washdown requirements
- Multichannel capabilities

SELECTION CRITERIA

- Determine flow rate/gear ratio required. (You must select a gear ratio that will keep pump head speed from exceeding 600 rpm.)

To calculate nominal flow rate (use "Flow Rate" table to obtain values):

$$\frac{\text{motor rpm}}{\text{gear ratio}} \times \frac{\text{flow per revolution}}{\text{revolution}} = \text{flow rate}$$

SETUP

- Slide shaft adapter over motor shaft and tighten set screws with hex wrench.
- Position housing over shaft adapter.
- Attach housing to motor with four bolts (supplied).
- Mount pump head and load L/S tubing.
- Turn pump on.

PUMP HEADS ACCEPTED

- Accepts nine different pump heads:
 - Standard
 - Easy-Load® 3
 - Easy-Load II
 - Easy-Load
 - High-Performance
 - PTFE-Tubing
 - Multichannel
 - Multichannel cartridge
 - PTFE-Diaphragm

MOTOR SPECIFICATIONS

- Use a ¼-hp motor or larger
- Go to www.coleparmer.com/motors for additional motor options and for VFD controllers to vary the speed of the motors listed below right
- Select fixed or variable speed; TEFC (IP44), washdown (IP56), or hazardous-duty; AC or DC; 50, 60, or 50/60 Hz



77495-00 pump head adapter (middle, above) shown with 07518-10 Easy-Load® pump head and 02631-00 motor, each sold separately. Adapter includes hardware.

SPECIFICATIONS for L/S Pump Head Adapters

| | |
|-----------------------------------|--|
| Catalog number | HL-77495-00, -20 |
| Performance Specifications | |
| Flow capacity | 0.06 to 3400 mL/min (0 to 54 GPH) |
| Number of heads accepted | Up to 2 |
| Physical Specifications | |
| Construction material | Painted aluminum |
| IP rating† | IP34 with gasket (included) mounted to motor |
| Operating temperature | 0 to 40°C (32 to 104°F) |
| Storage temperature | -25 to 65°C (-13 to 149°F) |
| Dimensions (L x W x H) | 14.6 x 16.5 x 16.5 cm (5¾" x 6½" x 6½") |
| Shipping weight | 6.0 kg (13.2 lb) |

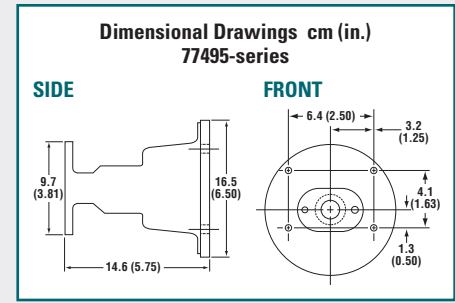
†See page 194 for an explanation of IP ratings.

ISO9001:2008
CERTIFIED SUPPLIER

2 year
warranty

ORDERING INFORMATION

| Catalog number | Gear ratio | Max motor rpm | Max torque kg-cm (oz-in) |
|-----------------------------|------------|---------------|--------------------------|
| HL-77495-00 | 3.7:1 | 2220 | 12 (170) |
| HL-77495-20 | 18.3:1 | 3450 | 15 (210) |



DC MOTORS WITH 56C FRAME

| Cat. no. | hp | Wattage | rpm | Type† | Voltage | IP rating† | Overall dimensions (L x W x H) |
|-----------------------------|----|---------|------|-------|---------|------------|--|
| HL-70072-00 | ¼ | 225 | 1800 | TENV | 12 VDC | IP44 | 23.2 x 16.5 x 17.1 cm (9½" x 6½" x 6¾") |
| HL-70074-00 | ⅓ | 248 | 1800 | XPRF | 90 VDC | IP55 | 26.5 x 16.5 x 17.1 cm (10⅜" x 6½" x 6¾") |
| HL-70073-00 | ¼ | 225 | 1750 | WDN | 90 VDC | IP56 | 28.6 x 16.5 x 17.5 cm (11¼" x 6½" x 6⅞") |

†TENV—Totally enclosed, nonventilating TEFC—Totally enclosed, fan-cooled WDN—Washdown XPRF—Explosion proof †See page 194 for an explanation of IP ratings.

L/S PUMP TUBING FLOW RATE INFORMATION (mL/MIN)

Order Masterflex L/S pump tubing separately on pages 68–73.

| Recommended motor rpm limits | Adapter gear ratio | Pump head rpm | L/S Precision pump tubing | | | | | | L/S High-performance Precision pump tubing | | | |
|------------------------------|--------------------|---------------|---------------------------|-------------|------------|-------------|-------------|-------------|--|---------------------------|---------------------------|---------------------------|
| | | | L/S 13 | L/S 14 | L/S 16 | L/S 25 | L/S 17 | L/S 18 | L/S 15 | L/S 24 | L/S 35 | L/S 36 |
| Flow per revolution | | 1 | 0.06 | 0.21 | 0.8 | 1.7 | 2.8 | 3.8 | 1.7 (1.8) | 2.8 (3.0) | 3.8 (4.3) | 4.8 (5.8) |
| 3.7 to 2220 | 3.7:1 | 1 to 600 | 0.06 to 36 | 0.21 to 130 | 0.8 to 480 | 1.7 to 1000 | 2.8 to 1700 | 3.8 to 2300 | 1.7 to 1000 (1.8 to 1100) | 2.8 to 1700 (3.0 to 1800) | 3.8 to 2300 (4.3 to 2600) | 4.8 to 2900 (5.8 to 3400) |
| 18.3 to 3450 | 18.3:1 | 1 to 190 | 0.06 to 12 | 0.21 to 40 | 0.8 to 150 | 1.7 to 320 | 2.8 to 540 | 3.8 to 720 | 1.7 to 320 (1.8 to 340) | 2.8 to 540 (3.0 to 580) | 3.8 to 720 (4.3 to 800) | 4.8 to 900 (5.8 to 1100) |

Note: Flow ranges are approximate—calculated under the following conditions: 0 psig at inlet and outlet; water temperature at 22°C (72°F). Flow rates in parentheses obtainable with High-Performance pump head.

E/S® PORTABLE SAMPLING DRIVE

FEATURES/BENEFITS

- ◆ Floats up to 30 minutes if dropped in water when case is closed and latched
- ◆ IP54-rated control panel protects against inclement weather and splashing water
- ◆ High-visibility housing for easy recovery
- ◆ Can be used in the field for sampling or in the plant as a portable pump
- ◆ Flow rate: 4.2 to 1100 mL/min depending on tubing size used
- ◆ Sample depths to 7.9 m (26 ft)[†]
- ◆ Reversible flow and prime/purge function
- ◆ Use it even where there is no electrical power
- ◆ Sealed and self-contained 12 VDC rechargeable battery provides up to four hours of nonstop operation in the field
- ◆ Convenient battery-status indicator
- ◆ Operate on internal batteries, 12 V car battery, or AC outlet
- ◆ Variable-speed motor; 400 rpm max

PUMP HEADS ACCEPTED

- ◆ Accepts three Masterflex® L/S® pump head types: Standard, Easy-Load®, or PTFE-Tubing

DRIVE CONTROLS

- ◆ Single-turn potentiometer for speed control
- ◆ ON indicator illuminates when internal batteries are fully charged
- ◆ Three position power/reversing switch
- ◆ Purge and fill via CW/CCW direction toggle switch

SETUP

1. Load pump head with Masterflex L/S precision tubing (use L/S 15 or L/S 24 C-FLEX® or silicone tubing for optimal performance).
2. Mount head to drive.
3. Select power source.
4. Turn drive on.
5. Adjust for desired flow or sample rate.

[†]Maximum sampling depth can be achieved with either a L/S 15 or L/S 24 Standard pump head.



E/S portable sampling drive 07571-00 with Easy-Load pump head 07518-02



ORDERING INFORMATION

| Catalog number | rpm | Power (50/60 Hz) |
|-----------------------------|-----------|------------------|
| HL-07571-00 | 70 to 400 | 115 VAC |
| HL-07571-05 | | 230 VAC |

ACCESSORIES

- [HL-07570-04](#) Flow-through tubing weight, SS. Prevents curling or floating. Fits L/S 15, L/S 24, and L/S 25 tubing.
- [HL-07571-50](#) Cigarette lighter adapter, with 7.6-m (25-ft) cable.
- [HL-07571-52](#) Auxiliary power kit for 07571-00 drive; 12 VDC. Includes cable to connect to external power supply input.

L/S PUMP TUBING FLOW RATE INFORMATION (mL/MIN)

Order Masterflex L/S pump tubing separately on pages 68–73.

| Tubing cross sections | L/S Precision pump tubing | | | | | | L/S High-performance Precision pump tubing | |
|----------------------------|---------------------------|----------|-----------|------------|-----------------|--------|--|-------------|
| | L/S 13 | L/S 14 | L/S 16 | L/S 25 | L/S 17 | L/S 18 | L/S 15 | L/S 24 |
| Flow range @ 70 to 400 rpm | 4.2 to 24 | 15 to 84 | 56 to 320 | 120 to 680 | Not recommended | | 120 to 680 | 200 to 1100 |

STANDARD

4.2 to 320 mL/min
pages 40–41



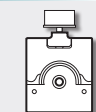
EASY-LOAD®

4.2 to 1100 mL/min
pages 46–47



PTFE-TUBING

0.06 to 65 mL/min
pages 50–51



SPECIFICATIONS for E/S Portable Sampling Drive

| | | |
|---|---|-----------------------------|
| Catalog number | HL-07571-00 | HL-07571-05 |
| Performance Specifications | | |
| Flow capacity | 4.2 to 1100 mL/min (0.06 to 17.4 GPH) | |
| rpm | 70 to 400 | |
| Number of heads accepted | 1 | |
| Reversible | Yes | |
| External control – Input/Output | Not applicable | |
| Electrical Specifications | | |
| Voltage/Frequency VAC (Hz) [†] | 115 (50/60) | 230 (50/60) |
| Current | 0.25 A | 0.125 A |
| Motor type | Permanent-magnet DC | |
| Motor size | 37 W (½ hp) | |
| Motor/speed control type | Solid state | |
| Speed regulation (repeatability) | ±5% (±5%) | |
| Soft start/Electronic brake | No | |
| Physical Specifications | | |
| Housing materials | HDPE, anodized aluminum, stainless steel, and polyester | |
| IP rating [‡] | IP54 | |
| Agency listings | CE, (power supplies are UL, cUL) | |
| Operating temperature | 0 to 40°C (32 to 104°F) | |
| Storage temperature | -25 to 65°C (-13 to 149°F) | |
| Humidity limits | 10 to 90% noncondensing | |
| Dimensions (L x W x H) | 27.9 x 25.4 x 40.6 cm (11" x 10" x 16") | |
| Shipping weight | 8.7 kg (16 lb) | |

[†]Also runs on internal battery or 12 VDC external source.

[‡]See page 194 for an explanation of IP ratings)



When closed and latched, E/S portable sampling pump will float up to 30 minutes if dropped in water.

MORE INFO

Our FREE Tubing Test Kit is a simple way to test your chemicals against different tubing formulations. Kit contains samples of different pump tubing formulations, formulation descriptions, a selection guide, instructions on how to test your tubing, and complete ordering information. Request item HL-00101-10.



FOR THE LATEST...

Masterflex technical resources, see

- [ColeParmer.com](#)
- [Masterflex.com](#)

L/S® PUMP HEADS 38–67
 L/S® TUBING 68–73
 L/S® PUMP SYSTEMS..... 108–117

ACCESSORIES..... 160–171

TECHNICAL DATA..... 172–206

COMPLETE L/S PTFE-TUBING PUMP SYSTEM

Applications

- ▶ Pumping high-purity fluids
- ▶ Transfer of aggressive chemicals
- ▶ Chemical feed and metering
- ▶ Filtration

Benefits

- ▶ Flow rate: 0.75 to 65 mL/min; pressure up to 100 psi (6.9 bar)
- ▶ Low-pulsation, six-roller pump head
- ▶ Continuous-duty drive displays speed (rpm) and direction

Complete system includes: L/S PTFE tubing pump head 77390-00, 6-mm OD PTFE tube set 77390-60, L/S 300 rpm variable-speed console drive 07528-20, and two ¼" NPT(M) pipe adapters.



Drive is



| Catalog number | Power |
|-----------------------------|-------------------------|
| HL-77912-10 | 90 to 260 VAC, 50/60 Hz |

E/S® COMPOSITE SAMPLER

FEATURES/BENEFITS

- ▶ Program operation to meet EPA sampling requirements
- ▶ Locking latches prevent tampering and provide buoyancy—latched sampler floats at least 30 minutes if dropped in water
- ▶ IP56-rated control panel protects against inclement weather and splashing water
- ▶ Rechargeable battery makes it ideal for field applications
- ▶ Dual-line, 24-character, backlit adjustable LCD with glow-in-the-dark keypad
- ▶ Capable of standing by for up to 90 days for a remote signal
- ▶ Sample depths to 7.9 m (26 ft)
- ▶ Complete system includes: Masterflex® L/S® Easy-Load® pump head, 9-liter HDPE carboy, 12 VDC battery, 115/230 VAC power adapter/battery recharger, quick-disconnect fittings for inlet and outlet connections, and 7.6 m (25 ft) of L/S 24 peroxide-cured silicone tubing



Power supplies are:



E/S composite sampler 07580-00

SETUP AND OPERATION

1. Load tubing (L/S 15 or L/S 24 silicone, Tygon® E-LFL, or Tygon® E-Lab).
2. Turn pump on by pressing and holding the Power/Status button until LCD responds.
3. Select menu.
4. Select program.[†]
5. Press Start.

▶ All controls are on the front panel:

CAL—sets sample volume calibration mode for accurate sampling volume

CLOCK—sets the real time 24-hour clock

CYCLE TEST—checks the sampler for correct operation (purge, rinse, draw sample) to verify correct operation

DELAY START—for programming additional time before start of the program

MENU—accesses menu selections

PROGRAM—loads program selection

SAMPLE VOLUME—allows for input of desired sample volume into program

TIME—for inputting desired time interval into program

[†]Select from six preprogrammed sampler programs; five programs can be customized.



2 year warranty

ORDERING INFORMATION

| Catalog number | Description |
|-----------------------------|-----------------------|
| HL-07580-00 | E/S composite sampler |

ACCESSORIES

[HL-07518-12](#) Replacement Easy-Load pump head, for use with sizes L/S 15 and L/S 24 tubing.

[HL-07571-50](#) Automotive adapter, 7.6-m (25-ft) cable.

[HL-77200-07](#) Replacement universal power supply, 115/230 VAC, 3.6-m (12-ft) cable.

[HL-07571-55](#) Replacement battery, 12 VDC.

[HL-06032-20](#) Replacement HDPE carboy, 9 liters.

LIFT HEIGHT VS TUBING SIZE, FORMULATION, AND FLOW (mL/MIN)

| Lift height m (ft) | Tubing size | Flow rate (mL/min) @ 21°C (70°F), 600 rpm | | |
|-----------------------|-------------|---|-------------|-------------|
| | | Silicone | Tygon E-LFL | Tygon E-Lab |
| 0.3 (1) | L/S 15 | 1012 | 1110 | 1110 |
| 3.7 (12) | | 952 | 1065 | 1035 |
| 7.6 (25) | | 435 | 855 | 765 |
| 0.3 (1) | L/S 24 | 1627 | 1650 | 1650 |
| 3.7 (12) | | 1095 | 1545 | 1432 |
| 7.6 (25) | | 4.6 m (15 ft) max lift | 1005 | 840 |

SPECIFICATIONS for E/S Composite Sampler

| | |
|-----------------------------------|---|
| Catalog number | HL-07580-00 |
| Performance Specifications | |
| Flow capacity | 1650 mL/min @ 30.5 cm (1 ft) of suction with L/S 24 Tygon® E-LFL/E-Lab tubing |
| Sample accuracy | ±5% of programmed sample volume or ±5 mL, which is greater |
| Clock accuracy | ±1 minute/month |
| rpm range | 600 fixed speed |
| Number of heads accepted | 1 (one Easy-Load® pump head 07518-12 supplied) |
| Power | 12 VDC sealed rechargeable gel-type batteries or AC with power adapter |
| External control | Dry contact closure |
| Physical Specifications | |
| Housing materials | Polyethylene housing and carboy; nonferrous hardware |
| IP rating | When case closed: IP56 [‡] |
| Agency listings | Power supplies are: UL, cUL, CE |
| Operating temperature | 0 to 40°C (32 to 104°F) |
| Storage temperature | -25 to 65°C (-13 to 149°F) |
| Dimensions (L x W x H) | 28 x 34.3 x 44.4 cm (11" x 13½" x 17½") |
| Shipping weight | 10.9 kg (24 lb) |

[‡]See page 194 for an explanation of IP ratings.

L/S® PUMP HEADS 38-67
L/S® TUBING 68-73

ACCESSORIES..... 160-171

TECHNICAL DATA..... 172-206

L/S® DC-POWERED DRIVES

FEATURES/BENEFITS

Cabinet-Style Drives

- ▶ Deliver flow rates from 1.2 to 2400 mL/min
- ▶ Ideal for pumping fluids in remote locations
- ▶ Sample depths to 7.9 m (26 ft)[†]
- ▶ Reversible motor
- ▶ Adapt easily to 12 VDC power sources
- ▶ Easily portable with carrying handle
- ▶ Accept Standard, High-Performance, PTFE-tubing, Easy-Load®, Easy-Load II, and Easy-Load 3 pump heads

Compact Drives

- ▶ Deliver flow rates from 6 to 2700 mL/min
- ▶ Chemical-resistant steel motor housing
- ▶ Perfect for rugged applications that require continuous-duty pumping
- ▶ Adapt easily to 12- or 24-VDC power sources
- ▶ Ideal for OEM applications
- ▶ Accept Standard, Cartridge, PTFE-tubing, PTFE-diaphragm, High-Performance, Easy-Load, Easy-Load II, and Easy-Load 3 pump heads

Note: Drives listed in "Specifications" table that accept only one pump head cannot be used with High-Performance or PTFE pump heads.

DRIVE CONTROLS

Cabinet-Style Drives

- ▶ All manual controls are on front panel
- ▶ Separate single-turn potentiometer speed control and CW/OFF/CCW switch

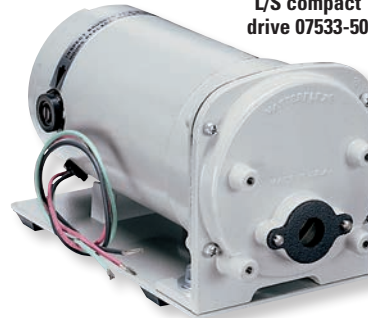
Compact Drives

- ▶ Vary input voltage to change drive speed; reverse input voltage polarity to reverse direction
- ▶ Three-wire, 16-gauge, 30-cm (12") long stripped-end leads for power connection

ACCESSORIES

HL-07573-02 Cigarette lighter adapter cable, 7.6 m (25 ft). For cabinet-style drives only.

HL-17050-01 NIST-traceable calibration for peristaltic pump drive.



L/S compact drive 07533-50



L/S cabinet-style drive 07533-20

SPECIFICATIONS & ORDERING INFORMATION for L/S DC-Powered Drives

| Catalog number | Cabinet-style drives | | Compact drives | | | |
|-----------------------------------|---|--------------------|--|---------|--------------------|-----------|
| | 12 VDC | | 12 VDC | | 24 VDC | |
| | HL-07533-20 | HL-07533-40 | HL-07533 | | HL-07533 | |
| | | | -60 | -50 | -70 | -80 |
| Performance Specifications | | | | | | |
| Flow capacity | 1.2 to 2400 mL/min (0 to 38 GPH) | | 6 to 2700 mL/min (0 to 43 GPH) | | | |
| rpm | 20 to 90 | 100 to 500 | 540 | 100 | 570 | |
| Number of heads accepted | 2 | 1 | 2 | | 1 | |
| Maximum torque | 127 N-cm (180 oz-in) | 64 N-cm (90 oz-in) | 127 N-cm (180 oz-in) | | 64 N-cm (90 oz-in) | |
| Reversible | Yes | | | | | |
| Electrical Specifications | | | | | | |
| Voltage VDC | 10.8 to 13.2 | | 1.5 to 15 | 1 to 15 | 1 to 30 | 1.7 to 30 |
| Current | 3 A | | 5.7 A | 3.2 A | 1.5 A | 2.6 A |
| Motor type | Permanent-magnet, brushed DC | | | | | |
| Motor size | 37 W (½ hp) | | | | | |
| Motor/Speed control type | Single-turn potentiometer | | Not applicable | | | |
| Speed regulation (repeatability) | ±5% | | | | | |
| Soft-start/Electronic brake | Not applicable | | | | | |
| Physical Specifications | | | | | | |
| Housing materials | Painted steel | | Painted steel | | | |
| IP rating [‡] | IP21 | | IP52 | | | |
| Agency listings | CE | | | | | |
| Operating temperature | 0 to 40°C (32 to 104°F) | | | | | |
| Storage temperature | -25 to 65°C (-13 to 149°F) | | | | | |
| Dimensions (L x W x H) | 27.9 x 16.5 x 22.2 cm (11" x 6½" x 8¾") | | 21.6 x 9.7 x 11.7 cm (8½" x 3¾" x 4½") | | | |
| Shipping weight | 5.3 kg (11.7 lb) | | 4.1 kg (9 lb) | | | |

[†]Max sampling depth can be achieved with either a size L/S 15 or L/S 24 Standard pump head.
[‡]See page 194 for an explanation of IP ratings.

L/S PUMP TUBING FLOW RATE INFORMATION (mL/min)

Order Masterflex L/S pump tubing on pages 68–73.

| Tubing cross section | L/S Precision pump tubing | | | | | | L/S High-performance Precision pump tubing | | | |
|-----------------------------|---------------------------|-----------|-----------|------------|-------------|-------------|--|-----------------------|-----------------------|------------------------|
| | L/S 13 | L/S 14 | L/S 16 | L/S 25 | L/S17 | L/S 18 | L/S 15 | L/S 24 | L/S 35 | L/S 36 |
| Flow range @ 20 to 90 rpm | 1.2 to 5.4 | 4.2 to 19 | 16 to 72 | 34 to 150 | 56 to 250 | 76 to 340 | 34 to 150 (36 to 160) | 56 to 250 (60 to 270) | 76 to 340 (86 to 390) | 96 to 430 (116 to 520) |
| Flow range @ 100 to 500 rpm | 6 to 30 | 21 to 105 | 80 to 400 | 170 to 850 | 280 to 1400 | 380 to 1900 | 170 to 850 | 280 to 1400 | 380 to 1900 | 480 to 2400 |
| Flow range @ 100 rpm | 6 | 21 | 80 | 170 | 280 | 380 | 170 (180) | 280 (300) | 380 (430) | 480 (580) |
| Flow range @ 540 rpm | 32 | 113 | 430 | 920 | 1500 | 2050 | 920 | 1500 | 2050 | 2600 |
| Flow range @ 570 rpm | 34 | 120 | 450 | 970 | 1600 | 2170 | 970 | 1600 | 2170 | 2700 |

Note: Flow rates in parentheses can be obtained only with Masterflex L/S High-Performance pump heads.

L/S® ECONOMY PUMP SYSTEMS

APPLICATIONS

- General fluid transfer
- Filtration
- Low-pressure chromatography
- Fermentation

FEATURES

- Soft-start, 1/20-hp continuous-duty drive
- ±5% drive speed accuracy
- Stackable painted-steel console housing

BENEFITS

- Versatile system with a wide flow range
- Easy tubing changes
- Most economical L/S pump system
- Self-priming



77910-30



77910-20

SPECIFICATIONS & ORDERING INFORMATION

ISO9001:2008
CERTIFIED SUPPLIER

UL US CE 2 year warranty

| Catalog number | Flow range† (mL/min) | Pump head included | Tubing included | Tubing sizes accepted | Drive included | Drive speed range (rpm) | Drive IP rating | Power (50/60 Hz) |
|-----------------------------|----------------------|------------------------------|---|---|----------------|-------------------------|-----------------|-----------------------|
| HL-77910-30 | 16 to 480 | L/S Easy-Load® 3 77800-60 | C-Flex® ULTRA L/S 16 06434-16; 3 m (10 ft) | L/S 13, L/S 14, L/S 16, L/S 25, L/S 17, L/S 18 | 07554-90 | 20 to 600 | IP23 | 90 to 130 VAC, 1.5 A |
| HL-77910-35 | | | | | 07554-95 | | | 180 to 260 VAC, 0.8 A |
| HL-77910-20 | 56 to 1700 | L/S Easy-Load II 77200-62 | C-Flex ULTRA L/S 24 06434-24; 3 m (10 ft) | L/S 15, L/S 24, L/S 35, L/S 36 | 07554-90 | | | 90 to 130 VAC, 1.5 A |
| HL-77910-25 | | | | | 07554-95 | | | 180 to 260 VAC, 0.8 A |

†Flow range with included tubing; extend the flow range of these systems with additional sizes of tubing; order on pages 68-73.

[HL-17050-01](#) NIST-traceable calibration for peristaltic pump drive.

L/S® PRECISION MODULAR PUMP SYSTEMS

APPLICATIONS

- Sterile fluid transfer
- Carboy or small tank pumping
- Chemical recirculation
- Printing
- Laboratory research
- Filtration
- Polishing/lapping

FEATURES

- Controller and chemical-resistant drive connected by 1.8-m (6-ft) cable
- Soft-start, 1/10-hp continuous-duty drive
- ±0.25% speed control



77913-70

BENEFITS

- Modular format lets you place drive and controller up to 1.8 meters (6 feet) apart
- Easy tubing changes
- Three-digit LED shows motor speed (rpm) for easy repeatability
- Reversible motor lets you purge tubing before or after pumping
- Optional remote control of speed, start/stop, and direction



77913-60

SPECIFICATIONS & ORDERING INFORMATION

ISO9001:2008
CERTIFIED SUPPLIER

UL US CE 2 year warranty

| Catalog number | Flow range† (mL/min) | Pump head included | Tubing included | Tubing sizes accepted | Drive included | Drive speed range (rpm) | Drive IP rating | Power (50/60 Hz) |
|---|----------------------|------------------------------|---|---|----------------|-------------------------|-----------------|--|
| Precision modular pumps with benchtop controller | | | | | | | | |
| HL-77913-60 | 4.8 to 480 | L/S Easy-Load® 3 77800-60 | C-Flex® ULTRA L/S 16 06434-16; 3 m (10 ft) | L/S 13, L/S 14, L/S 16, L/S 25, L/S 17, L/S 18 | 07577-00 | 6 to 600 | IP33 | 90 to 130 VAC, 2.2 A; and 190 to 260 VAC, 1.1 A |
| HL-77913-70 | 17 to 1700 | L/S Easy-Load II 77200-62 | C-Flex ULTRA L/S 24 06434-24; 3 m (10 ft) | L/S 15, L/S 24, L/S 35, L/S 36 | | | | |
| Precision modular pump with washdown wall-mount controller | | | | | | | | |
| HL-77913-80 | 17 to 1700 | L/S Easy-Load II 77200-62 | C-Flex ULTRA L/S 24 06434-24; 3 m (10 ft) | L/S 15, L/S 24, L/S 35, L/S 36 | 07577-60 | 6 to 600 | IP66 | 90 to 130 VAC, 2.2 A; and 190 to 260 VAC, 1.1 A |

†Flow range with included tubing; extend the flow range of these systems with additional sizes of tubing; order on pages 68-73.

L/S® PRECISION ANALOG CONSOLE PUMP SYSTEMS

APPLICATIONS

- ▶ General transfer and metering
- ▶ Circulating bath pump
- ▶ Remote-controlled metering pump
- ▶ Acid-base feed
- ▶ Low-pressure filtration
- ▶ Small tank transfer and filling

BENEFITS

- ▶ Simple keypad controls offer operational ease
- ▶ Powerful and cost-effective pump for precision transfer and metering applications
- ▶ Control pump speed remotely with 4 to 20 mA or 0 to 10 V signal
- ▶ Three-digit LED shows motor speed (rpm) for repeatability and monitoring performance
- ▶ Reversible motor—prime/purge and easily reverse direction of flow

FEATURES

- ▶ PWM speed control for precision and efficiency; ±0.25% speed control accuracy
- ▶ Stackable ABS housing is IP33 rated for wipedown
- ▶ Universal voltage, 90 to 260 VAC autoselect, 50/60 Hz
- ▶ Soft-start 1/10-hp continuous-duty drive



77916-20



77916-10

SPECIFICATIONS & ORDERING INFORMATION

ISO 9001:2008
CERTIFIED SUPPLIER



2 year
warranty

| Catalog number | Flow range [†] (mL/min) | Pump head included | Tubing included | Tubing sizes accepted | Drive included | Drive speed range (rpm) | Drive IP rating | Power (50/60 Hz) |
|-----------------------------|----------------------------------|------------------------------|---|---|----------------|-------------------------|-----------------|--|
| HL-77916-10 | 4.8 to 480 | L/S Easy-Load® 3 77800-60 | C-Flex® ULTRA L/S 16 06434-16; 3 m (10-ft) | L/S 13, L/S 14, L/S 16, L/S 25, L/S 17, L/S 18 | 07528-10 | 6 to 600 | IP33 | 90 to 130 VAC, 2.2 A; and 190 to 260 VAC, 1.1 A |
| HL-77916-20 | 17 to 1700 | L/S Easy-Load II 77200-62 | C-Flex ULTRA L/S 24 06434-24; 3 m (10-ft) | L/S 15, L/S 24, L/S 35, L/S 36 | | | | |

[†]Flow range with included tubing; extend the flow range of these systems with additional sizes of tubing; order on pages 68–73.

[HL-77595-35](#) Foot switch, momentary start/stop; 1.8-m (6-ft) cable.

[HL-07595-45](#) DB9 male connector, use to create your own cable.

[HL-17050-01](#) NIST-traceable calibration for peristaltic pump drive.

[HL-07595-47](#) Cable assembly, DB9 male connector and 7.9 m (25-ft) cable with stripped wire terminal ends. Use for remote control.

[HL-07523-98](#) Tilt bail; use to securely elevate front of drive.

INNOCAL®
INNOVATIVE CALIBRATION SOLUTIONS

Pump Preventive Maintenance Package

Prevent shutdowns and ensure optimal pump performance

InnoCal, our service and repair center, offers a Preventive Maintenance Package for our Masterflex® L/S® Pumps.

Description of Service:

Experienced, factory-trained technicians perform the following maintenance activities:

- Testing and adjustment of the motor to ensure correct rpm output
- Disassembly of the gearbox and examination of the armature movement
- Replacement of gears/shafts/gaskets
- Application of thermal grease
- Brush holder examination and brush replacement
- Inspection and testing of gear bearings and bushings; replacement as necessary
- Ground wire and safety check
- Asset tagging of the pump with next recommended service date
- Detailed Service Inspection Report unique to instrument by serial #

[HL-17110-00](#) Pump preventive maintenance package

InnoCal technicians are also trained and equipped to perform Masterflex® warranty repair and any other service that may be required due to normal wear and tear.

**5 Day
Turn-Around**



Extend the service life of your Masterflex® pumps and protect your valuable investment with an InnoCal Preventive Maintenance Package.

Contact an InnoCal Service Technician at 866-INNOCAL (466-6225) to schedule your service today!

L/S® STANDARD DIGITAL PUMP SYSTEMS

APPLICATIONS

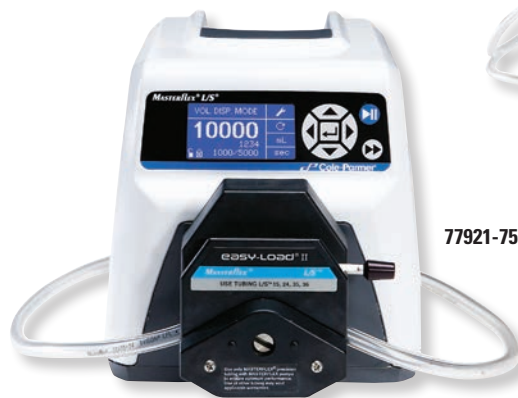
- Acid/base pH control
- Nutrient media dispensing
- Precision fragrance delivery
- Automated fermentation
- Surfactant delivery
- Accurate metering

BENEFITS

- Brushless, maintenance-free motor reduces operating costs
- Reversible pumping
- Graphical LCD shows flow rate, rpm, dispense volume, dispense time, copy number, cumulative volume
- Remote control: Start/stop foot switch (order below); 0–20 mA, 4–20 mA, or 0–10 VDC speed control; Start/stop/reverse/prime (with DB25 male connector)
- Programmable flow rate and dispense interval for automated dispensing
- Can be calibrated for greater accuracy

FEATURES

- 1/10-hp, continuous-duty drive
- ±0.1% drive speed control with tach feedback
- Splash-resistant stackable housing
- Membrane keypad with lockout



77921-75



77921-65

SPECIFICATIONS & ORDERING INFORMATION

ISO9001:2008 CERTIFIED SUPPLIER 2 year warranty

| Catalog number | Flow range [†] (mL/min) | Pump head included | Tubing included | Tubing sizes accepted | Drive included | Drive speed range (rpm) | Drive IP rating | Power (50/60 Hz) |
|-----------------------------|----------------------------------|------------------------------|---|---|----------------|-------------------------|-----------------|--|
| HL-77921-65 | 0.08 to 480 | L/S Easy-Load® 3 77800-60 | C-Flex® ULTRA L/S 16 06434-16; 3 m (10 ft) | L/S 13, L/S 14, L/S 16, L/S 25, L/S 17, L/S 18 | 07522-20 | 0.1 to 600 | IP33 | 90 to 130 VAC, 2.2 A; and 190 to 260 VAC, 1.1 A |
| HL-77921-75 | 0.28 to 1700 | L/S Easy-Load II 77200-62 | C-Flex ULTRA L/S 24 06434-24; 3 m (10 ft) | L/S 15, L/S 24, L/S 35, L/S 36 | | | | |

[†]Flow range with included tubing; extend the flow range of these systems with additional sizes of tubing; order on pages 68–73.

[HL-07523-92](#) Foot switch, momentary start/start, 1.8-m (6-ft) cable.

[HL-07523-95](#) Cable assembly, DB25 male connector and 25-ft (7.9-m) cable with stripped wire ends for remote control.

[HL-07523-97](#) Dispensing handle for momentary start/stop.

[HL-17050-01](#) NIST-traceable calibration for peristaltic pump drive.

L/S® FOUR-CHANNEL DIGITAL DISPENSING PUMP SYSTEM

APPLICATIONS

- Precision dispensing
- Synchronous multichannel filling
- Metering fluids into multiple containers or outlets
- Filtration

BENEFITS

- Digital dispensing drive features maintenance-free brushless motor
- Program dispensing parameters—including volume, copy, time, and delay interval—for automated dispensing
- Four-channel, six-roller pump head offers low pulsation and synchronous flow between channels for high accuracy and consistent fills
- BioPharm Plus platinum silicone tubing delivers exceptional flow stability over time making it ideal for dispensing applications

FEATURES

- 1/10-hp continuous-duty brushless drive; tach feedback for ±0.1% speed control
- Remote control via DB25 female connector on drive
- Membrane keypad with lockout



77921-85

SPECIFICATIONS & ORDERING INFORMATION

ISO9001:2008 CERTIFIED SUPPLIER 2 year warranty

| Catalog number | Flow range [†] (mL/min) | Pump head included | Tubing included | Tubing sizes accepted | Drive included | Drive speed range (rpm) | Drive IP rating | Power (50/60 Hz) |
|-----------------------------|----------------------------------|------------------------------|--|---|----------------|-------------------------|-----------------|--|
| HL-77921-85 | 0.047 to 280 | L/S Four-channel 07535-04 | BioPharm Plus silicone tube set, L/S 16 96116-16; pk of 8 | L/S two-stop tube sets: L/S 13, 14, 16 | 07522-20 | 0.1 to 600 | IP33 | 90 to 130 VAC, 2.2 A; 190 to 260 VAC, 1.1 A |

[†]Flow range per channel with included tubing; extend the flow range of this system with additional sizes of tubing; order L/S two-stop tube sets on page 55.

[HL-07523-92](#) Foot switch, momentary start/start, 1.8-m (6-ft) cable.

[HL-07523-94](#) DB25 Connector. Use to create your own cable.

[HL-07523-97](#) Dispensing handle for momentary start/stop.



L/S® COMPUTER-COMPATIBLE PUMP SYSTEMS

APPLICATIONS

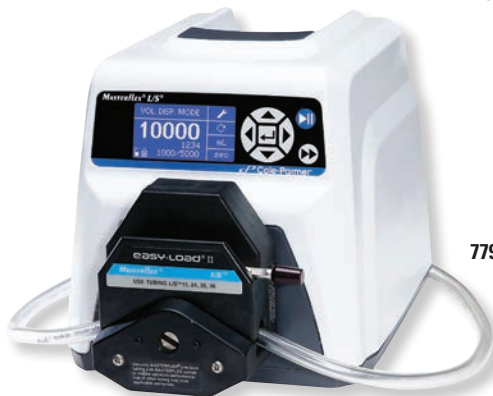
- ▶ Programmable dispensing
- ▶ Automated process
- ▶ Dosing/metering additives
- ▶ Dispensing by weight/weight ratio
- ▶ Repetitive filling
- ▶ Media dispensing in cell culture and fermentation
- ▶ Gradient pump

BENEFITS

- ▶ Stand-alone digital dispenser or control through PC
- ▶ Graphical LCD shows flow rate, rpm, dispense volume, dispense time, copy number, and cumulative volume
- ▶ Programmable dispense interval for automated dispensing
- ▶ Dispense by volume or time
- ▶ Analog remote control of speed, start/stop, and direction
- ▶ Programmed calibration ensures accuracy
- ▶ Stackable, splash-resistant housing wipes down for easy cleaning

FEATURES

- ▶ 1/10-hp, continuous-duty brushless drive
- ▶ ±0.1% PWM speed control accuracy with tach output
- ▶ Remote control capability via DB25 connector on back of drive
- ▶ Membrane keypad with lockout



77924-50



77924-60

SPECIFICATIONS & ORDERING INFORMATION

ISO 9001:2008
CERTIFIED SUPPLIER



2 year
warranty

| Catalog number | Flow range† (mL/min) | Pump head included | Tubing included | Tubing sizes accepted | Drive included | Drive speed range (rpm) | Drive IP rating | Power (50/60 Hz) |
|-----------------------------|----------------------|------------------------------|---|---|----------------|-------------------------|-----------------|--|
| HL-77924-50 | 0.08 to 480 | L/S Easy-Load® 3 77800-60 | C-Flex® ULTRA L/S 16 06434-16; 3 m (10 ft) | L/S 13, L/S 14, L/S 16, L/S 25, L/S 17, L/S 18 | 07551-00 | 0.1 to 600 | IP33 | 90 to 130 VAC, 2.2 A; and 190 to 260 VAC, 1.1 A |
| HL-77924-60 | 0.28 to 1700 | L/S Easy-Load II 77200-62 | C-Flex ULTRA L/S 24 06434-24; 3 m (10 ft) | L/S 15, L/S 24, L/S 35, L/S 36 | | | | |

†Flow range with included tubing; extend the flow range of these systems with additional sizes of tubing; order on pages 68-73.

[HL-07523-92](#) Foot switch, momentary start/stop; 1.8-m (6-ft) cable.

[HL-07523-95](#) Cable assembly, DB25 male connector and 25-ft (7.9-m) cable with stripped wire ends for remote control.

[HL-07523-97](#) Dispensing handle for momentary start/stop.

[HL-17050-01](#) NIST-traceable calibration for peristaltic pump drive

COMPLETE SYSTEM INCLUDES:

PUMP HEAD

+

TUBING

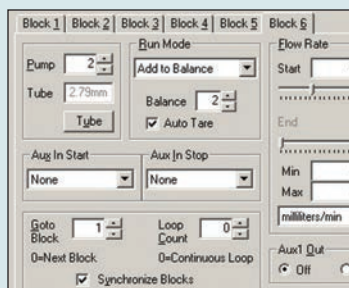
+

DRIVE

MASTERFLEX® LINKABLE INSTRUMENT CONTROL SOFTWARE

Enhanced balance interface capability and 21 CFR Part 11 compliance

- ▶ Control all functions of up to 25 Masterflex L/S computer-compatible pumps with your personal computer
- ▶ Windows®-based software has familiar pull-down menus and mouse-selectable icons
- ▶ Customize to meet your application: dispensing, mixing/diluting, flow proportioning, and single/multiple slope gradients; program each pump to automate up to 50 steps
- ▶ Improved balance interface allows you to dispense off of a balance and features weight-ratio dispensing; use of multiple balances is enabled with multiple COM ports on your PC
- ▶ Log at specific intervals, at the end of each block, or at the end of each run
- ▶ Complies with 21 CFR Part 11: password protection and authorized user list, audit trail documents all operations, file encryption permits authorized user access only



Design your own program using the simple-to-use software. Quick updates provide up-to-the-minute pump information.

ORDERING INFORMATION

| Catalog number | Description |
|-----------------------------|--|
| HL-07551-70 | Software, WINLIN pump control; works with Windows® 95/98/NT/2000/XP; CD-ROM format. |
| HL-22050-54 | RS-232 interface cable, DB9(M) to DB9(F), 2.4 m (8 ft). Connects drive to drive and/or drive to PC. |
| HL-22050-58 | USB to RS-232 serial adapter cable connects RS-232 serial connector on Masterflex L/S 07551-series drives to a PC with USB port, 1.8 m (6 ft); requires cable 22050-54 |
| HL-22050-60 | USB Type A (M) to USB Type B (M) interface cable, connect Masterflex 07551-series drives to a USB port on a PC, 3 m (10 ft) |
| HL-07550-64 | RS-232 interface cable, 2.4 m (8 ft). Connects mixer to PC. RJ11 to DB25 with DB25/DB9 adapter. |

L/S® MULTICHANNEL PUMP SYSTEMS

APPLICATIONS

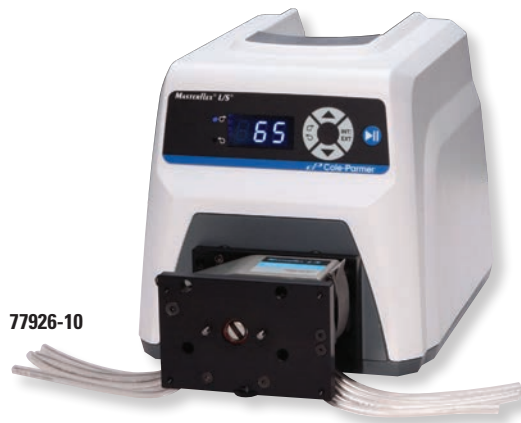
- ▶ Precision dispensing into multiple containers
- ▶ Transfer or meter fluids through multiple lines
- ▶ Rapid automated filling

BENEFITS

- ▶ Control of multiple channels with a single drive reduces operating cost per channel
- ▶ Powerful metering and transfer pump with accurate speed control
- ▶ Synchronous flow from all four channels ensures accuracy when dispensing into multiple containers
- ▶ Reversible motor for purge before/after pumping; pump in either direction
- ▶ Simple keypad controls; bright, three-digit display of rpm for repeatability
- ▶ Remote control of speed and start/stop
- ▶ Accepts L/S two-stop tube sets for optimal tension with no adjustment
- ▶ Stackable ABS plastic housing wipes down for easy cleaning

FEATURES

- ▶ Four-channel pump head
- ▶ 1/10-hp, continuous-duty drive with remote capability
- ▶ ±0.25% speed control accuracy



77926-10



77927-10

SPECIFICATIONS & ORDERING INFORMATION

ISO9001:2008 CERTIFIED SUPPLIER ETL US CE 2 year warranty

| Catalog number | Flow range† (mL/min) | Pump head included | Tubing included | Tubing sizes accepted | Drive included | Drive speed range (rpm) | Drive IP rating | Power (50/60 Hz) |
|-----------------------------|----------------------|------------------------------|--|---|----------------|-------------------------|-----------------|------------------|
| HL-77926-10 | 0.47 to 47 | L/S four channel 07535-04 | Tygon® E-LFL tube set, L/S 16 06447-16; pk of 8 | L/S two-stop tube sets: L/S 13, L/S 14, L/S 16 | 07528-30 | 1 to 100 | IP33 | 90 to 260 VAC |
| HL-77927-10 | 2.8 to 280 | L/S four channel 07536-04 | Tygon E-LFL tube set, L/S 24 06447-24; pk of 4 | L/S two-stop tube sets: L/S 15, L/S 24, L/S 35 | 07528-30 | 1 to 100 | IP33 | 90 to 260 VAC |

†Flow range with included tubing; extend the flow range of these systems with additional sizes of tubing; order two-stop tube sets below and L/S extension tubing on pages 68–73.

[HL-77595-35](#) Foot switch, DB9 male. Use for start/stop operation.

[HL-07595-45](#) Connector, DB9 male. Use for 4–20 mA remote control.

[HL-17050-01](#) NIST-traceable calibration for peristaltic pump drive.

COMPLETE SYSTEM INCLUDES:

PUMP HEAD + TUBING + DRIVE

ADDITIONAL L/S TWO-STOP PRECISION PUMP TUBE SETS

| Pump tubing | | L/S Precision pump tubing | | | L/S High-performance precision pump tubing | | |
|---|----------------------------------|-----------------------------|-----------------------------|-----------------------------|--|-----------------------------|-----------------------------|
| | | L/S 13 | L/S 14 | L/S 16 | L/S 15 | L/S 24 | L/S 35 |
| Flow rate per channel (mL/min) | @ 1 to 100 rpm @ 6 to 600 rpm | 0.045 to 4.5 0.27 to 27 | 0.16 to 16 0.96 to 96 | 0.47 to 47 2.8 to 280 | 1.6 to 160 10 to 1000 | 2.8 to 280 17 to 1700 | 3.8 to 380 23 to 2300 |
| Tygon® E-LFL | | HL-06447-13 | HL-06447-14 | HL-06447-16 | HL-06447-15 | HL-06447-24 | HL-06447-35 |
| Silicone (platinum-cured) | | HL-06421-13 | HL-06421-14 | HL-06421-16 | HL-06421-15 | HL-06421-24 | HL-06421-35 |
| BioPharm Plus silicone (platinum-cured) | | HL-96116-13 | HL-96116-14 | HL-96116-16 | HL-96116-15 | HL-96116-24 | HL-96116-35 |
| PharMed® BPT | | HL-96114-13 | HL-96114-14 | HL-96114-16 | HL-96114-15 | HL-96114-24 | HL-96114-35 |
| Chem-Durance® Bio | | HL-96117-13 | HL-96117-14 | HL-96117-16 | HL-96117-15 | HL-96117-24 | HL-96117-35 |
| Viton® | | HL-96428-13 | HL-96428-14 | HL-96428-16 | HL-96428-15 | HL-96428-24 | HL-96428-35 |
| Qty/pk | | 8 | 8 | 8 | 4 | 4 | 4 |



L/S® CARTRIDGE PUMP SYSTEMS

APPLICATIONS

- Multiple-channel low-flow transfer and perfusion
- Synchronous multichannel dispensing
- Low-pressure chromatography
- Feeding automated dispensers

BENEFITS

- Cartridges accept multiple tubing sizes for wide flow range
- Cartridges snap in and out for tubing changes; change tubing in one channel without disturbing others
- Finely adjust occlusion to increase accuracy
- Use only one cartridge, or load to capacity
- Digital dispensing drive features maintenance-free brushless motor
- Program dispensing parameters, including delay interval, for automated dispensing
- Four-channel, eight-roller pump offers lowest pulsation for better accuracy

FEATURES

- 1/10-hp continuous-duty brushless drive
- Tach feedback for ±0.1% drive speed control
- Remote control via DB25 female connector on drive
- IP33 rated, stackable ABS housing
- Membrane keypad with lockout



77919-20



77919-30

SPECIFICATIONS & ORDERING INFORMATION

ISO9001:2008 CERTIFIED SUPPLIER 2 year warranty

| Catalog number | Flow range† (mL/min) | Pump head included | Tubing included | Tubing sizes accepted | Drive included | Drive speed range (rpm) | Drive IP rating | Power (50/60 Hz) |
|--|----------------------|--|--|-------------------------------------|----------------|-------------------------|-----------------|---|
| L/S eight-channel four-roller cartridge pump system | | | | | | | | |
| HL-77919-20 | 0.0034 to 18 | L/S Cartridge head 07519-06 with eight small cartridges 07519-80 | Tygon® E-LFL microbore tube set, 1.42-mm ID 06447-34; pk of 12 | Microbore tube sets; L/S 13, L/S 14 | 07523-90 | 0.02 to 100 | IP33 | 90 to 130 VAC, 2.2 A; 190 to 260 VAC, 1.1 A |
| L/S reduced-pulsation four-channel eight-roller cartridge pump system | | | | | | | | |
| HL-77919-30 | 0.0024 to 12 | L/S Cartridge head 07519-20 with four small cartridges 07519-85 | Tygon E-LFL microbore tube set, 1.42-mm ID 06447-34; pk of 12 | Microbore tube sets; L/S 13, L/S 14 | 07523-90 | 0.02 to 100 | IP33 | 90 to 130 VAC, 2.2 A; 190 to 260 VAC, 1.1 A |

†Flow range with included tubing; extend the flow range of these systems with additional sizes of tubing; order microbore two-stop tube sets below and L/S tubing on pages 68-73.

[HL-17050-01](#) NIST-traceable calibration for peristaltic pump drive.

ADDITIONAL MICROBORE TWO-STOP PUMP TUBE SETS

| Pump tubing | | 0.89 mm ID | 1.42 mm ID | 2.06 mm ID | 2.79 mm ID |
|--------------------------------|-------------------------|---|---|---|---|
| Flow rate per channel (mL/min) | Cartridge head 07519-06 | 0.0015 to 7.4 | 0.0034 to 18 | 0.0074 to 37 | 0.0126 to 63 |
| | Cartridge head 07519-20 | 0.0010 to 5.2 | 0.0024 to 12 | 0.0044 to 22 | 0.0068 to 34 |
| Platinum-cured silicone | | HL-06421-26 pk of 6 | HL-06421-34 pk of 6 | HL-06421-42 pk of 6 | HL-06421-48 pk of 6 |
| | Santoprene® | HL-06431-26 pk of 12 | HL-06431-34 pk of 12 | HL-06431-42 pk of 12 | HL-06431-48 pk of 12 |
| Tygon® E-LFL | | HL-06447-26 pk of 12 | HL-06447-34 pk of 12 | HL-06447-42 pk of 12 | HL-06447-48 pk of 12 |
| | Viton® | HL-96428-26 pk of 12 | HL-96428-34 pk of 12 | HL-96428-42 pk of 12 | HL-96428-48 pk of 12 |

ADDITIONAL CARTRIDGES

[HL-07519-80](#) Additional small cartridge for pump system 77919-20.

[HL-07519-85](#) Additional small cartridge for pump system 77919-30.



07519-80

L/S® DIGITAL MODULAR PUMP SYSTEM

APPLICATIONS

- ▶ Epoxy resin delivery
- ▶ Culture media dispensing
- ▶ Coffee-additive dispensing
- ▶ FDA tablet coating

BENEFITS

- ▶ Separate drive/controller for placement flexibility
- ▶ Brushless motor for continuous-duty maintenance-free operation
- ▶ Remote I/O for control flexibility; tach output lets you monitor pump operation
- ▶ Easy tubing changes saves operator time
- ▶ Reverse pumping to prime or purge tubing
- ▶ Programmable time delay interval for repetitive filling

FEATURES

- ▶ 1/10-hp, continuous-duty drive
- ▶ ±0.1% drive speed accuracy
- ▶ Controller/drive connected by a 1.8-m (6-ft) cable



77923-80

SPECIFICATIONS & ORDERING INFORMATION

ISO9001:2008 CERTIFIED SUPPLIER ETL US CE 2 year warranty

| Catalog number | Flow range† (mL/min) | Pump head included | Tubing included | Tubing sizes accepted | Drive included | Drive speed range (rpm) | Drive IP rating | Power |
|-----------------------------|----------------------|----------------------------|--|--------------------------------|----------------|-------------------------|-----------------|---|
| HL-77923-80 | 0.28 to 1700 | L/S Easy-Load® II 77200-62 | C-Flex® ULTRA L/S 24 06434-24; 3 m (10 ft) | L/S 15, L/S 24, L/S 35, L/S 36 | 77301-40 | 0.1 to 600 | IP33 | 90 to 130 VAC, 2.2 A; and 190 to 260 VAC, 1.1 A |

†Flow range with included tubing; extend the flow range of these systems with additional sizes of tubing; order on pages 68–73.

[HL-07523-97](#) **Handheld remote controller**; control start/stop, direction, and prime; route tubing through handle for dispensing and filling applications; 1.8-m (6-ft) cable.

[HL-07523-95](#) **Cable assembly**, DB25 male connector and 7.9-m (25-ft) cable with stripped wire ends for remote control.

[HL-77301-82](#) **Extension cable**, 2.7 m (9 ft) for benchtop modular drive 77301-40; extend distance between motor and controller.

[HL-17050-01](#) **NIST-traceable calibration** with data for peristaltic pump drive.

L/S® DIGITAL MODULAR PUMP SYSTEM WITH WALL-MOUNT CONTROLLER

APPLICATIONS

- ▶ Adhesive resin delivery
- ▶ Salad dressing dispensing
- ▶ Food-additive dispensing
- ▶ Packaging process pump

BENEFITS

- ▶ Washdown IP66 (NEMA 4X)-rated components for easy cleanup in process applications
- ▶ Remote I/O for control flexibility; tach output lets you monitor pump operation
- ▶ Brushless motor for continuous-duty maintenance-free operation
- ▶ Easy tubing changes
- ▶ Repetitive dispensing with programmable delay for efficient repeat filling operations

FEATURES

- ▶ 1/10-hp, continuous-duty drive
- ▶ ±0.1% drive speed accuracy
- ▶ IP66-rated controller/drive connected by a 1.8-m (6-ft) water-tight cable



77923-90

SPECIFICATIONS & ORDERING INFORMATION

ISO9001:2008 CERTIFIED SUPPLIER ETL US CE 2 year warranty

| Catalog number | Flow range† (mL/min) | Pump head included | Tubing included | Tubing sizes accepted | Drive included | Drive speed range (rpm) | Drive IP rating | Power |
|-----------------------------|----------------------|----------------------------|--|--------------------------------|----------------|-------------------------|-----------------|---|
| HL-77923-90 | 0.28 to 1700 | L/S Easy-Load® II 77200-62 | C-Flex® ULTRA L/S 24 06434-24; 3 m (10 ft) | L/S 15, L/S 24, L/S 35, L/S 36 | 77301-50 | 0.1 to 600 | IP66 | 90 to 130 VAC, 2.2 A; and 190 to 260 VAC, 1.1 A |

†Flow range with included tubing; extend the flow range of these systems with additional sizes of tubing; order on pages 68–73.

[HL-07575-84](#) **Washdown foot switch**, momentary start/stop; 1.8-m (6-ft) cable.

[HL-07575-80](#) **Remote control cable**; wire to controller/PLC; 8.3-m (25-ft) length.

[HL-77301-82](#) **Extension cable**, 2.7 m (9 ft) for washdown modular drive 77301-50; extend distance between motor and controller.

[HL-17050-01](#) **NIST-traceable calibration** with data for peristaltic pump drive.

L/S® DIGITAL PROCESS PUMP SYSTEMS

APPLICATIONS

- Pharma, food, and dairy processing
- Metering flavorings and colorants
- Pumping buffer solutions
- Filling/emptying media bags
- Sterile filtration; sterile fluid transfer
- Spray coating
- Pumping slurries and purees

BENEFITS

- Digital dispenser is ideal for filling applications requiring varying flow rates and volumes
- Sealed, 316 stainless steel housing is NEMA 4X and IP66 rated for easy washdown in sanitary process environments; use model 77975-40 with powder-coat steel housing in applications where stainless steel is not a requirement
- Graphical LCD shows flow rate, rpm, dispense volume, dispense time, and copy number
- Cumulative volume function totalizes volume pumped or transferred over time
- Select to display metric or English units
- Programmable dispense interval for automated dispensing
- Analog remote control of speed, start/stop, and direction; tach output for monitoring pump operation
- Programmed calibration ensures accuracy
- Keypad lockout feature prevents inadvertent changes to programmed settings

FEATURES

- 1/10-hp, continuous-duty brushless drive
- ±0.1% PWM speed control accuracy with tach output
- Remote control capability via fluid-resistant I/O connector on back of drive



77975-30



77975-20



07575-84



77975-40

SPECIFICATIONS & ORDERING INFORMATION

ISO9001:2008
CERTIFIED SUPPLIER

ETL US

CE

IP66

2 year warranty

| Catalog number | Flow range† (mL/min) | Pump head included | Tubing included | Tubing sizes accepted | Drive included | Drive speed range (rpm) | Drive IP rating | Power |
|---|----------------------|----------------------------------|---|-----------------------------------|----------------|-------------------------|-----------------|--|
| Digital process pumps with 316 stainless steel housing | | | | | | | | |
| HL-77975-20 | 0.28 to 1700 | L/S Easy-Load® II 77200-62 | C-Flex® ULTRA L/S 24 06434-24; 3 m (10 ft) | L/S 15, L/S 24, L/S 35, L/S 36 | 07575-10 | 0.1 to 600 | IP66 | 90 to 130 VAC, 2.2 A; and 190 to 260 VAC, 1.1 A |
| HL-77975-30 | 0.28 to 1800 | L/S High-Performance 77250-62 | C-Flex ULTRA L/S 24 06434-24; 3 m (10 ft) | L/S 15, L/S 24, L/S 35, L/S 36 | 07575-10 | 0.1 to 600 | IP66 | 90 to 130 VAC, 2.2 A; and 190 to 260 VAC, 1.1 A |
| Digital process pump with powder-coat steel housing | | | | | | | | |
| HL-77975-40 | 0.28 to 1700 | L/S Easy-Load II 77200-62 | C-Flex ULTRA L/S 24 06434-24; 3 m (10 ft) | L/S 15, L/S 24, L/S 35, L/S 36 | 07575-20 | 0.1 to 600 | IP66 | 90 to 130 VAC, 2.2 A; and 190 to 260 VAC, 1.1 A |

†Flow range with included tubing; extend the flow range of these systems with additional sizes of tubing; order on pages 68–73.

[HL-07575-84](#) Washdown foot switch, momentary start/stop; 1.8-m (6-ft) cable

[HL-07575-80](#) Remote cable, 8.3 m (25 ft) for remote capabilities.

[HL-17050-01](#) NIST-traceable calibration for peristaltic pump drive.



FILLER/DISPENSING NOZZLES

- Maximize the speed, precision, and accuracy of dispensing and filling applications
- Minimize splashing and dripping when dispensing into narrow- or wide-mouth containers

These nozzles combine the ease of plastic components with the accuracy and reliability of stainless steel tubes. Tight dimensional tolerances help to ensure precision in your dispensing applications. Nozzles feature a 316L stainless steel tube and a polycarbonate base with hose barb adapter. Materials comply with FDA, USDA and USP Class VI requirements. All filler nozzles are sterilizable by ethylene oxide, autoclaving, or gamma irradiation.

| Catalog number | Tubing ID |
|-----------------------------|-----------|
| HL-30619-06 | 1/32" |
| HL-30619-01 | 1/16" |
| HL-30619-07 | 1/8" |
| HL-30619-02 | 3/16" |
| HL-30619-08 | 1/4" |
| HL-30619-03 | 5/16" |
| HL-30619-09 | 3/8" |
| HL-30619-04 | 1/2" |
| HL-30619-10 | 5/8" |
| HL-30619-05 | 3/4" |

30619-02



L/S® PTFE-TUBING PUMP SYSTEM

APPLICATIONS

- ▶ Transfer of aggressive chemicals
- ▶ Filtration
- ▶ High-purity pumping
- ▶ Chemical injection

BENEFITS

- ▶ Excellent chemical compatibility for metering aggressive chemicals
- ▶ Higher pressures up to 6.9 bar (100 psi), low pulsation
- ▶ Inert PTFE tubing maintains fluid purity
- ▶ Adjustable occlusion
- ▶ Low maintenance

FEATURES

- ▶ 1/10-hp, 3 to 300 rpm continuous-duty drive
- ▶ 2.4-m (8-ft) suction lift; 6.9 bar (100 psi) pressure capability



77912-10

ADDITIONAL TUBING

HL-77390-60 PTFE tubing set, 6-mm OD, 4-mm ID. Set of two 38-cm (15") lengths

HL-06605-54 PTFE extension tubing, 6-mm OD. One 7.6-m (25-ft) length

HL-31321-64 Straight connector, 6 mm, 9.2 bar (135 psi) max

SPECIFICATIONS & ORDERING INFORMATION

ISO9001:2008 CERTIFIED SUPPLIER 2 year warranty

| Catalog number | Flow range (mL/min) | Pump head included | Tubing included† | Tubing sizes accepted | Drive included | Drive speed range (rpm) | Drive IP rating | Power (50/60 Hz) |
|-----------------------------|---------------------|--------------------------|----------------------------------|-----------------------|----------------|-------------------------|-----------------|------------------|
| HL-77912-10 | 0.75 to 65 | L/S PTFE-tubing 77390-00 | 6-mm OD PTFE tubing set 77390-60 | — | 07528-20 | 3 to 300‡ | IP33 | 90 to 260 VAC |

†Also includes two 1/4" pipe adapters. ‡Recommended drive speed operating range for included pump head.

[HL-17050-01](#) NIST-traceable calibration for peristaltic pump drive.

COMPLETE SYSTEM INCLUDES:

PUMP HEAD + **TUBING** + **DRIVE**

L/S® PTFE-DIAPHRAGM PUMP SYSTEM

APPLICATIONS

- ▶ Chemical feed and metering
- ▶ Chemical injection
- ▶ High-purity fluid transfer
- ▶ Pumping aggressive chemicals
- ▶ High-pressure pumping

BENEFITS

- ▶ Continuous pressure up to 3.4 bar (50 psi); 5.2 bar (75 psi) intermittent
- ▶ Excellent chemical compatibility
- ▶ High metering accuracy
- ▶ Self-priming
- ▶ PTFE fluid path maintains fluid purity

FEATURES

- ▶ 1/10-hp, 6 to 600 rpm continuous-duty drive
- ▶ ±0.25% speed control accuracy
- ▶ ABS plastic housing
- ▶ DB9 female connection on back for remote control



77915-10

SPECIFICATIONS & ORDERING INFORMATION

ISO9001:2008 CERTIFIED SUPPLIER 2 year warranty

| Catalog number | Flow range (mL/min) | Pump head included | Tubing included† | Tubing sizes accepted | Drive included | Drive speed range (rpm) | Drive IP rating | Power (50/60 Hz) |
|-----------------------------|---------------------|-----------------------------|---|-----------------------|----------------|-------------------------|-----------------|------------------|
| HL-77915-10 | 80 to 800 | L/S PTFE diaphragm 07090-42 | 1/4" ID x 3/8" OD PTFE tubing 06605-15; 3.6 m (12 ft) | — | 07528-10 | 40 to 400‡ | IP33 | 90 to 260 VAC |

†Also includes pipe adapters and check valve. ‡Recommended drive speed operating range for included pump head.

[HL-07090-43](#) Service kit includes diaphragm, check valves, installation tool and instructions.

[HL-07090-45](#) Check valve.

L/S® HIGH-PRESSURE PUMP SYSTEM

APPLICATIONS

- High-pressure chemical feed and metering
- High-pressure chemical injection
- Chromatography
- Pressure filtration
- Sterile filtration

BENEFITS

- Pump at continuous pressure up to 6.9 bar (100 psi) with included tubing
- No gears, valves, seals, or diaphragms for minimal maintenance and downtime
- Fluid remains in tubing at all times; contamination-free
- Separate speed control and power switch maintain speed setting when pump is switched on/off
- Reversible motor; pump in either direction

FEATURES

- 1/10-hp, continuous-duty drive
- ±0.25% speed control accuracy
- ABS plastic housing

ADDITIONAL TUBING

HL-95664-14 L/S PharMed BPT 14HP high-pressure tubing: 0.3 to 30 mL/min, 10.2 bar (150 psi) max pressure. Pack of 7.6 m (25 ft).

HL-95664-16 L/S PharMed BPT 16HP high-pressure tubing: 0.9 to 90 mL/min, 6.9 bar (100 psi) max pressure. Pack of 7.6 m (25 ft).

HL-95664-15 L/S PharMed BPT 15HP high-pressure tubing: 1.7 to 170 mL/min, 5.4 bar (80 psi) max pressure. Pack of 7.6 m (25 ft).

HL-95664-24 L/S PharMed BPT 24HP high-pressure tubing: 2.4 to 240 mL/min, 4.1 bar (60 psi) max pressure. Pack of 7.6 m (25 ft).



77914-10

ISO9001:2008
CERTIFIED SUPPLIER

ETL US

CE

2 year warranty

SPECIFICATIONS & ORDERING INFORMATION

| Catalog number | Flow range [†] (mL/min) | Pump head included | Tubing included | Tubing sizes accepted | Drive included | Drive speed range (rpm) | Drive IP rating | Power (50/60 Hz) |
|-----------------------------|----------------------------------|-------------------------------|--|------------------------------|----------------|-------------------------|-----------------|------------------|
| HL-77914-10 | 0.9 to 90 | L/S High-Performance 77250-62 | PharMed® BPT L/S 16HP 95664-16; 2.4 m (8 ft) | L/S 16HP, L/S 15HP, L/S 24HP | 07528-30 | 1 to 100 | IP33 | 90 to 260 VAC |

[†]Flow range with included tubing; extend the flow range of these systems with additional sizes of tubing; order above.

L/S® AIR-POWERED PUMP SYSTEMS

APPLICATIONS

- Transfer of chemicals where hazardous vapors are present
- Transfer of printing inks and solvents
- Transfer of heat-sensitive fluids
- Production fermentation

BENEFITS

- Ideal where electricity is unsafe
- Operates from your compressor
- High power, compact size
- Cooler operation
- Smooth-starting, low-maintenance 1/3-hp motor

FEATURES

- 1/3-hp, continuous-duty drive
- ±10% drive speed accuracy
- Complete with regulator with 5-mm air filter and 1/4" NPT(F) connection, automatic lubricator, 0 to 20 psi pressure gauge, and muffler
- ATEX systems 77931-20 and -30 are ATEX Zone 2 rated: EEx II 3 G c IIC T6; NEC Class I, Division 2, Groups A, B, C, D, T6



77931-10



77931-20

SPECIFICATIONS & ORDERING INFORMATION

| Catalog number | Flow range (mL/min) | Pump head included | Tubing included | Tubing sizes accepted | Drive included | Drive speed range (rpm) | Drive IP rating | Power |
|-----------------------------|--------------------------|----------------------------|--|--------------------------------|----------------|-------------------------|-----------------|---|
| HL-77931-10 | 170 to 1700 [†] | L/S Easy-Load® II 77200-62 | C-Flex® ULTRA L/S 24 06434-24; 3 m (10 ft) | L/S 15, L/S 24, L/S 35, L/S 36 | 07569-00 | 60 to 600 | IP44 | 0.08 to 0.7 m ³ /min (3 to 25 cfm) at 1.4 to 6.9 bar (20 to 100 psi) |

ATEX Zone 2 rated L/S air-powered pump systems

| | | | | | | | | |
|-----------------------------|--------------------------|------------------------|-------------------|--|----------|-----------|------|---|
| HL-77931-20 | 3.6 to 2300 [†] | L/S Easy-Load 07518-40 | N/A ^{††} | L/S 13, L/S 14, L/S 16, L/S 25, L/S 17, L/S 18 | 07569-00 | 60 to 600 | IP44 | 0.08 to 0.7 m ³ /min (3 to 25 cfm) at 1.4 to 6.9 bar (20 to 100 psi) |
| HL-77931-30 | 100 to 1700 [†] | L/S Easy-Load 07518-42 | N/A ^{††} | L/S 15, L/S 24 | 07569-00 | 60 to 600 | IP44 | 0.08 to 0.7 m ³ /min (3 to 25 cfm) at 1.4 to 6.9 bar (20 to 100 psi) |

[†]Flow range with included tubing; extend the flow range of these systems with additional sizes of tubing; order on pages 68–73.

[‡]For ATEX pump systems, flow rates will depend on tubing size selected.

^{††}Note: ATEX pump systems do not include tubing; select tubing to be compatible with your fluid and the parameters of your application.

Note: For safe operation of Masterflex air-powered pumps, ground pump carefully to protect from static electricity.

ISO9001:2008
CERTIFIED SUPPLIER

CE

ATEX
Zone 2
77931-20, -30

2 year warranty

SELECTION GUIDE FOR I/P® PUMP HEADS

FEATURES OF MASTERFLEX® I/P PUMP HEADS

Highly Accurate, Repeatable Performance


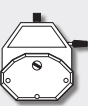
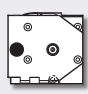
- ▶ All Masterflex I/P pump heads are designed to work best with I/P Precision or I/P High-performance precision pump tubing, ensuring lot-to-lot traceability and confidence in pump performance
- ▶ All pump designs accept continuous lengths of tubing, allowing you to:
 - ◆ Customize tubing lengths to your specific application
 - ◆ Simplify sanitary setups—no breaks in tubing
 - ◆ Reduce set up/cleanup time
 - ◆ Eliminate difficult fittings and clamps
 - ◆ Eliminate concerns over the chemical compatibility of fittings
 - ◆ Eliminate need for costly tubing sets
 - ◆ Increase tubing life—simply stop the pump periodically and move tubing 15 to 20 cm (6 to 8 in.), reload, and continue pumping

Multiple Roller Design

- ▶ Ensures even flow with minimal pulsation
- ▶ Ball-bearing rollers for long service life
- ▶ Select from cold-rolled steel (CRS) or stainless steel (SS) rotor assemblies
- ▶ Precision and High-performance precision roller configurations

Rugged Plastic Housings

- ▶ Molded from engineered plastics to tight specifications
- ▶ Easy to handle
- ▶ Clear polycarbonate (PC) allows viewing of pump head operation
- ▶ Polysulfone (PSF) and polyphenylene sulfide (PPS) offer additional corrosion resistance

| Description | Flow rates LPM (GPM) | Number of rollers | Multichannel or stackable | Housing/roller materials† | Special features | Page number |
|---|---|-------------------|---------------------------|--|---|-------------|
| STANDARD | | | | | | |
|  | Lowest: 0.01 (0.002) Highest: 13 (3.5) | 3 | Yes, stack up to 2 heads | PC/CRS, PC/SS, or PPS/SS | Low cost, high precision and accuracy. Best choice for dispensing applications. One head accepts one specific tubing size. | 120–121 |
| EASY-LOAD® | | | | | | |
|  | Lowest: 0.01 (0.002) Highest: 13 (3.5) | 3 | Yes, stack up to 2 heads | PSF/CRS, PSF/SS, or PPS/SS | Quick tubing changes. One head accepts several tubing sizes. Change tubing without dismounting pump head from drive. Model available for ATEX Zone 2 applications. | 122–123 |
| HIGH-PERFORMANCE | | | | | | |
|  | Lowest: 0.01 (0.002) Highest: 19 (5.0) | 3 | No | SS housing, rotors and rollers. Polyester occlusion bed. | Accepts High-performance precision tubing sizes. Offers highest flow rate of any I/P pump head. Tubing enters and exits same side of pump head. Model available for ATEX Zone 2 applications. | 124–125 |

†PC = polycarbonate PPS = polyphenylene sulfide PSF = polysulfone CRS = cold-rolled steel SS = stainless steel

Three Occlusion Options

- Standard Fixed Occlusion:**
Tubing “squeeze” is fixed, but at slightly different levels for each tubing size to maximize performance in each pump head with respect to tubing life, vacuum and flow characteristics, and repeatability (i.e. Standard pump heads).
- Average Fixed Occlusion:**
Tubing “squeeze” is fixed at an average level for accepted tubing sizes. This allows pump heads to combine easy tube loading while accepting a wide range of tubing sizes. (i.e. Easy-Load, High-Performance pump heads).
- Adjustable Occlusion:**
Tubing “squeeze” is adjustable for optimal pump performance to fit a specific application (i.e. Easy-Load pump heads).







Adjustable Occlusion

Reducing the occlusion increases tubing life (up to 5X); reduces discharge pressure; decreases pulsation; reduces cell disruption; and increases flow slightly.

Increasing the occlusion decreases tubing life; increases discharge pressure; increases pulsation; increases cell disruption; and decreases flow slightly.

Prolong tubing life by priming the pump with nominal or high occlusion, and reduce occlusion to run.

PUMP TUBING OPTIONS FOR I/P PUMP HEADS

| Tubing cross sections | I/P Precision pump tubing sizes | | | I/P High-performance Precision pump tubing sizes | | |
|-----------------------|---|---|---|--|---|---|
| |  |  |  |  |  |  |
| | I/P 26 | I/P 73 | I/P 82 | I/P 70 | I/P 88 | I/P 89 |
| Standard | | ✓ | ✓ | | | |
| Easy-Load® | ✓ | ✓ | ✓ | | | |
| High-Performance | | | | ✓ | ✓ | ✓ |

A PUMP HEAD FOR EVERY APPLICATION

There are three styles of Masterflex® I/P® pump heads offered to meet your needs for quick fluid transfer—in manufacturing or in the lab. This selection guide is designed to help you choose the pump head that's right for your application.

STANDARD PUMP HEAD (pages 120–121)

- ▶ Best overall I/P pump head accuracy
- ▶ Performance is highly repeatable
- ▶ Each pump head designed for one tubing size
- ▶ Fixed occlusion set optimally for tubing size
- ▶ Stack up to 2 heads on Masterflex I/P drives
- ▶ Choice of housing and rotor materials
- ▶ Tubing sizes accepted: Masterflex I/P 73 and I/P 82
- ▶ Tubing loading key (included) ensures proper tubing alignment and tension



Tubing loading key



TO SELECT A PUMP HEAD, DETERMINE:

1. Flow rate (LPM).
2. Maximum number of pump heads or flow channels required.
3. Style of pump head desired.
4. Fixed or adjustable occlusion feature.
5. Are corrosive fluids or vapors involved? If so, choose corrosion-resistant PSF or PPS housing and SS rotor.

EASY-LOAD® PUMP HEAD (pages 122–123)

- ▶ Load tubing easily without removing pump head from the drive
- ▶ Automatic tubing retention
- ▶ Adjustable occlusion optimizes pressure capabilities and tubing life by adjusting the squeeze on the tubing
- ▶ Tubing guide ensures correct positioning of tubing
- ▶ Stack up to 2 heads on Masterflex I/P drives
- ▶ Choice of housing and rotor materials
- ▶ Tubing sizes accepted: Masterflex I/P 26, I/P 73, and I/P 82
- ▶ ATEX-approved model is rated for Zone 2 applications; EEx II 3 G c II C T6



Watch the VIDEO!

See how to load Masterflex pump heads at...
Masterflex.com/video



HIGH-PERFORMANCE PUMP HEAD (pages 124–125)

- ▶ Load tubing easily and in a "C" pattern
- ▶ Tubing enters/exits same side of pump head
- ▶ Fixed occlusion averaged for several tubing sizes
- ▶ Adjustable tubing retention prevents tubing from moving in head
- ▶ Not stackable
- ▶ Designed for High-performance precision tubing sizes: I/P 70, I/P 88, and I/P 89
- ▶ ATEX-approved model is rated for Zone 2 applications; EEx II 3 G c II C T6



DRIVE COMPATIBILITY

Mount these pump heads on all drives accepting Masterflex I/P pump heads. Look for these pump head icons on specific I/P drive pages to ensure compatibility.

STANDARD
0.01 to 13 LPM
pages 120–121



EASY-LOAD®
0.01 to 13 LPM
pages 122–123



HIGH-PERFORMANCE
0.01 to 19 LPM
pages 124–125



I/P® STANDARD PUMP HEADS

FEATURES/BENEFITS

- ▶ Deliver flow rates up to 13 LPM
- ▶ Precision-molded housing
- ▶ Each pump head is designed for one size of tubing, ensuring optimal occlusion and repeatable performance
- ▶ Ideal for dedicated pump applications
- ▶ Adapts easily to OEM use
- ▶ Interchangeable
- ▶ Dual-channel pumping capability—stack heads with optional dual-channel mounting hardware. Order hardware on page 121.

SELECTION CRITERIA

1. Flow rate/tube size desired.
2. Materials of construction.
3. Compatibility with drives.

Includes 50.8 cm (20") of silicone tubing, loading key, and mounting hardware.

See specifications for more information.

Order tubing and drives separately.

COMPATIBILITY WITH DRIVES

- ▶ Mount on all drives accepting Masterflex® I/P pump heads

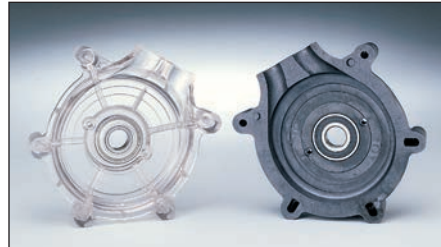
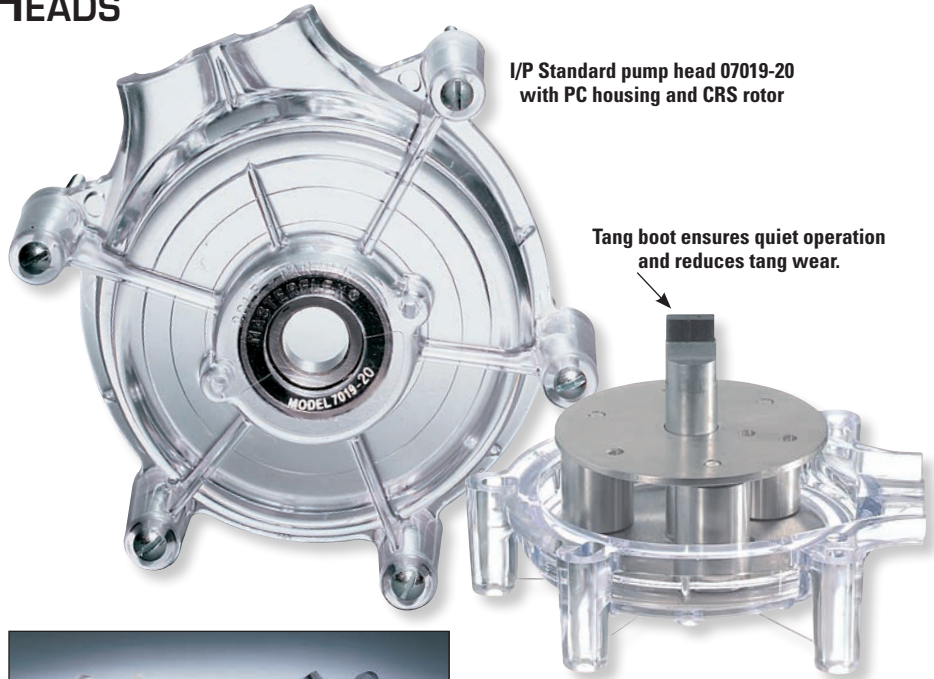
PUMP HOUSING SPECIFICATIONS

Clear Polycarbonate (PC)

- ▶ General-purpose applications
- ▶ View operation through the housing
- ▶ Select from CRS/Buna N or 304 SS/PTFE shielded ball-bearing

Polyphenylene Sulfide (PPS)

- ▶ Best protection from corrosive liquids/vapors
- ▶ 300-series SS/PTFE shielded ball-bearing



I/P Standard pump head is available with either PC (left) or PPS (right) housing.

ROLLER/ROTOR SPECIFICATIONS

Plated Cold-Rolled Steel (CRS)

- ▶ General-purpose applications
- ▶ Buna N shielded ball-bearing

300-Series Stainless Steel (SS)

- ▶ Corrosive fluid applications
- ▶ Shielded ball-bearing construction (highest life expectancy)

ISO 9001:2008
CERTIFIED SUPPLIER **2** year warranty

ORDERING INFORMATION

| Pump tubing size | PC housing | | PPS housing |
|------------------|------------|----------|-------------|
| | CRS rotor | SS rotor | SS rotor |

For Precision pump tubing

| | | | |
|--------|-----------------------------|-----------------------------|-----------------------------|
| I/P 73 | HL-07019-20 | HL-07019-21 | HL-07019-43 |
| I/P 82 | HL-07019-32 | HL-07019-31 | HL-07019-53 |



PC = polycarbonate PPS = polyphenylene sulfide
CRS = cold-rolled steel SS = stainless steel

ACCESSORIES

[HL-77600-03](#) Replacement tang boots. Pack of 10.

I/P PUMP TUBING FLOW RATE INFORMATION

Order Masterflex I/P Precision pump tubing separately on pages 126–127.

| Tubing cross sections | I/P Precision pump tubing | |
|-----------------------|---|---|
| |  I/P 73 |  I/P 82 |
| Flow rate—mL/rev | 12.3 | 20.0 |
| Flow rate @ 650 rpm | 8 LPM (2.1 GPM) | 13 LPM (3.5 GPM) |
| Max pressure† | 2.7 bar (40 psi) | 1.4 bar (20 psi) |
| Max vacuum† | 610 mm Hg (24" Hg) | 510 mm Hg (20" Hg) |
| Suction lift | 7.6 m H ₂ O (25 ft H ₂ O) | 7.0 m H ₂ O (23 ft H ₂ O) |

†Actual performance varies depending upon tubing materials—see pages 20–24 and 172–192 for more information.

NOTES

Use only Masterflex pump tubing with Masterflex pumps to ensure optimal performance. Use of other tubing may void applicable warranties.



SPECIFICATIONS for I/P Standard Pump Heads

| Catalog number | HL-07019 | | | | | |
|---|-----------------------------------|----------------------|-----|--------------------|-----|-----|
| | -20 | -21 | -43 | -31 | -32 | -53 |
| Performance Specifications | | | | | | |
| Flow capacity | 0.01 to 13 LPM (0.002 to 3.5 GPM) | | | | | |
| Max rpm | 650 | | | | | |
| Number of rollers | 3 | | | | | |
| Max pressure | 2.7 bar (40 psi) | | | 1.4 bar (20 psi) | | |
| Max vacuum | 610 mm Hg (24" Hg) | | | 510 mm Hg (20" Hg) | | |
| Torque Specifications [a single pump head pumping water at 0 bar (0 psi), 21°C (70°F)] | | | | | | |
| Norprene®, PharMed® BPT | Starting torque | 230 N-cm (325 oz-in) | | | | |
| | Running torque | 92 N-cm (130 oz-in) | | | | |
| Tygon®, Viton® | Starting torque | 353 N-cm (500 oz-in) | | | | |
| | Running torque | 147 N-cm (208 oz-in) | | | | |
| C-FLEX®, Silicone | Starting torque | 205 N-cm (290 oz-in) | | | | |
| | Running torque | 84 N-cm (120 oz-in) | | | | |
| Physical Specifications | | | | | | |
| Housing material | PC | PPS | PC | PPS | PC | PPS |
| Rotor material | CRS | SS | CRS | SS | CRS | SS |
| Operating temperature | 0 to 40°C (32 to 104°F) | | | | | |
| Shipping weight | 1.8 kg (4 lb) | | | | | |

MULTICHANNEL CAPABILITIES

Stack up to two Standard pump heads on a single drive when using C-FLEX® or silicone tubing, depending on drive specifications. Order hardware depending on number of pump heads to be mounted.



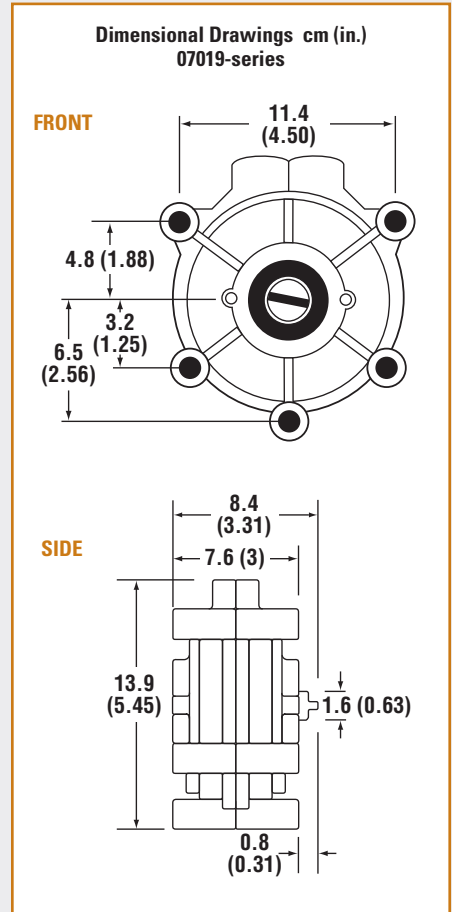
Two Standard pump heads mounted on drive 07591-20

MOUNTING HARDWARE

| Heads to be mounted | Catalog number/set |
|---------------------|-----------------------------|
| | Stainless steel |
| One | HL-07019-95 |
| Two | HL-07019-96 |



Mounting hardware 07019-95 for one pump head and 07019-96 for two pump heads.

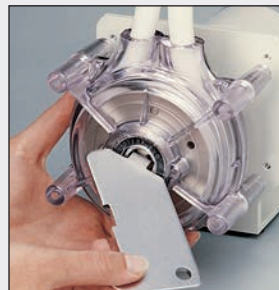
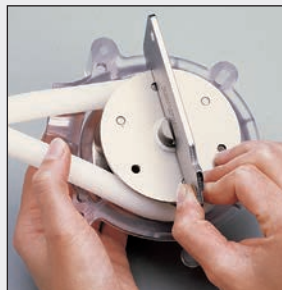
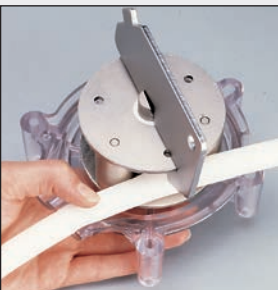


FOR THE LATEST...

Masterflex technical resources, see

- ColeParmer.com
- Masterflex.com

HOW TO LOAD YOUR PUMP HEAD



| | |
|------------------------|---------|
| I/P® TUBING | 126-130 |
| I/P® DRIVES..... | 131-145 |
| I/P® PUMP SYSTEMS..... | 146-151 |

| | |
|------------------|---------|
| ACCESSORIES..... | 160-171 |
|------------------|---------|

| | |
|---------------------|---------|
| TECHNICAL DATA..... | 172-206 |
|---------------------|---------|

I/P® EASY-LOAD® PUMP HEADS

FEATURES/BENEFITS

- ▶ Deliver flow rates from 0.01 to 13 LPM
- ▶ Automatic tubing retention ensures correct loading; heads accept several tubing sizes
- ▶ Five-screw mounting for securely attaching to drive
- ▶ Tang boot provides quieter operation and less maintenance
- ▶ Adjustable occlusion optimizes pressure capabilities and tubing life
- ▶ Over-center cam ensures fast tubing changes
- ▶ Precision-molded housing and occlusion bed
- ▶ Ideal for sanitary, corrosive, or general fluid transfer applications
- ▶ Adapt easily to OEM applications
- ▶ Multichannel pumping
- ▶ Model 77601-80 is ATEX Zone 2 rated EEx II 3 G c IIC T6; NEC rated for Class I Division 2, Groups A, B, C, D T6

SELECTION CRITERIA

1. Flow rate/tubing size desired.
2. Materials of construction.
3. Drive compatibility.

Includes 50.8 cm (20") of silicone tubing and single-channel mounting hardware.

See specifications for more information.

Order tubing and drives separately.

COMPATIBILITY WITH DRIVES

- ▶ Mount on drives that accept Masterflex® I/P pump heads

PUMP HOUSING SPECIFICATIONS

Polysulfone (PSF)

- ▶ General-purpose applications
- ▶ Select from CRS/Buna N or 304 SS/PTFE shielded ball-bearing

Polyphenylene Sulfide (PPS)

- ▶ Best protection from corrosive liquids/vapors
- ▶ 300-series SS/PTFE shielded ball-bearing



Polysulfone (PSF)
pump head 77601-00

Polyphenylene sulfide
(PPS) pump head 77601-60

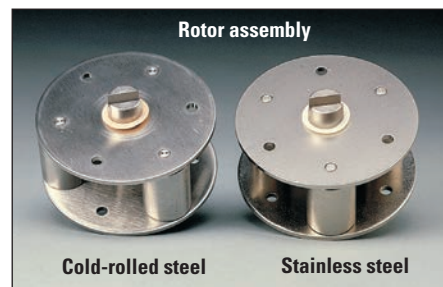
ROLLER/ROTOR SPECIFICATIONS

Plated Cold-Rolled Steel (CRS)

- ▶ General-purpose applications
- ▶ Recommended for fluids at temperatures below 80°C (175°F)
- ▶ Buna N shielded ball-bearing construction

300-Series Stainless Steel (SS)

- ▶ Corrosive fluids
- ▶ Recommended for fluids at temperatures above 80°C (175°F)
- ▶ PTFE shielded ball-bearing construction (highest life expectancy)



Cold-rolled steel

Stainless steel



I/P Easy-Load pump head 77601-10
mounted on variable-speed modular
drive 07591-20



2 year
warranty

ORDERING INFORMATION

| Pump tubing size | PSF housing | | PPS housing | ATEX-approved PSF housing |
|------------------|-------------|----------|-------------|---------------------------|
| | CRS rotor | SS rotor | SS rotor | SS rotor |




For Precision tubing

| | | | | |
|--------|-----------------------------|-----------------------------|-----------------------------|-----------------------------|
| I/P 26 | | | | |
| I/P 73 | HL-77601-00 | HL-77601-10 | HL-77601-60 | HL-77601-80 |
| I/P 82 | | | | |

PSF = polysulfone PPS = polyphenylene sulfide
CRS = cold-rolled steel SS = stainless steel

I/P PUMP TUBING FLOW RATE INFORMATION

Order Masterflex I/P Precision pump tubing separately on pages 126–127.

| Tubing cross sections | I/P Precision pump tubing | | |
|-----------------------|---|---|---|
| |  |  |  |
| | I/P 26 | I/P 73 | I/P 82 |
| Flow rate—mL/rev | 6.2 | 12.3 | 20.0 |
| Flow rate @ 650 rpm | 4 LPM (1.1 GPM) | 8 LPM (2.1 GPM) | 13 LPM (3.5 GPM) |
| Max pressure† | 2.7 bar (40 psi) | | 1.4 bar (20 psi) |
| Max vacuum† | 610 mm Hg (24" Hg) | | 510 mm Hg (20" Hg) |
| Suction lift | 7.6 m H ₂ O (25 ft H ₂ O) | | 7.0 m H ₂ O (23 ft H ₂ O) |

†Actual performance varies depending upon tubing materials—see pages 20–24 and 172–192 for more information.

NOTES

Use only Masterflex pump tubing with Masterflex pumps to ensure optimal performance. Use of other tubing may void applicable warranties.



SPECIFICATIONS for I/P Easy-Load Pump Heads

| | | | |
|----------------|-----------------------------|--|-----------------------------|
| Catalog number | HL-77601-00 | HL-77601-10 HL-77601-80 | HL-77601-60 |
|----------------|-----------------------------|--|-----------------------------|

Performance Specifications

| | |
|------------------------------|--|
| Flow capacity | 0.01 to 13 LPM (0.002 to 3.5 GPM) |
| Max rpm | 650 |
| Number of rollers | 3 |
| Max pressure for I/P 26 & 73 | 2.7 bar (40 psi) |
| Max pressure for I/P 82 | 1.4 bar (20 psi) |
| Max vacuum | 610 mm Hg (24" Hg) [‡] |
| Max suction lift | 7.6 m H ₂ O (25 ft H ₂ O) [‡] |

Torque Specifications [a single pump head pumping water at 0 bar (0 psi), 21°C (70°F)]

| | | |
|-------------------------|-----------------|----------------------|
| Norprene®, PharMed® BPT | Starting torque | 316 N-cm (448 oz-in) |
| | Running torque | 64 N-cm (90 oz-in) |
| Tygon®, Viton® | Starting torque | 316 N-cm (448 oz-in) |
| | Running torque | 64 N-cm (90 oz-in) |
| C-FLEX®, Silicone | Starting torque | 180 N-cm (256 oz-in) |
| | Running torque | 46 N-cm (65 oz-in) |

Physical Specifications

| | | |
|-----------------------|-------------------------|-----------------------|
| Housing material | Polysulfone | Polyphenylene sulfide |
| Rotor material | Cold-rolled steel | Stainless steel |
| Operating temperature | 0 to 40°C (32 to 104°F) | |
| Shipping weight | 2.3 kg (5 lb) | |

[‡]Depending on tubing size.

MULTICHANNEL CAPABILITIES

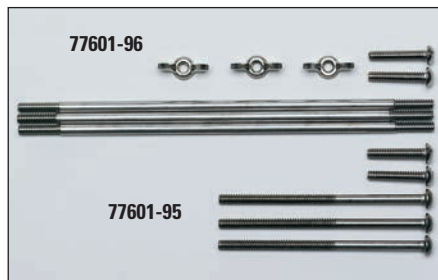
Mount up to two Easy-Load pump heads on a single drive. Change tubing without removing heads. Order hardware based on the number of pump heads to be mounted.



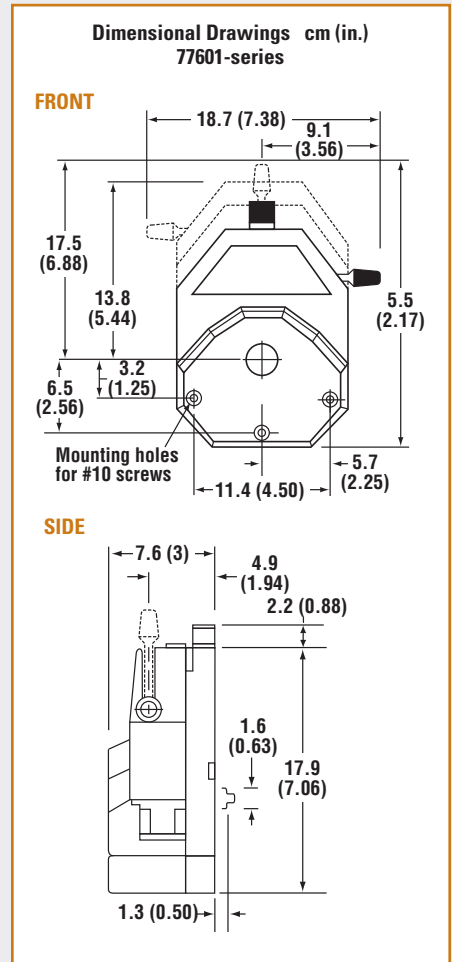
Two Easy-Load pump heads mounted on drive 77411-00.

MOUNTING HARDWARE

| Heads to be mounted | Catalog number/set Stainless steel |
|---------------------|---------------------------------------|
| One | HL-77601-95 |
| Two | HL-77601-96 |



Mounting hardware 77601-95 for one pump head and 77601-96 for two pump heads.



FOR THE LATEST...

Masterflex technical resources, see

- ColeParmer.com
- Masterflex.com

HOW TO LOAD YOUR PUMP HEAD



1. Move lever to the left to open pump head. Load the correct size tubing.



2. Rotate the lever to the right to close head. Adjust occlusion setting by turning knob on top of pump head.



3. Tubing is retained by automatic tubing retention.

| | |
|------------------------|---------|
| I/P® TUBING | 126-130 |
| I/P® DRIVES..... | 131-145 |
| I/P® PUMP SYSTEMS..... | 146-151 |

ACCESSORIES..... 160-171

TECHNICAL DATA..... 172-206

I/P® HIGH-PERFORMANCE PUMP HEADS

FEATURES/BENEFITS

- ▶ For higher volume fluid transfer applications
- ▶ Deliver flow rates from 0.01 to 19 LPM
- ▶ Highest flow rates of any I/P pump head
- ▶ Ideal for viscous fluid transfer
- ▶ C-shaped—allows tubing to enter and exit the same side of pump head
- ▶ Easy to load: accepts Masterflex® I/P High-Performance Precision tubing
- ▶ Tubing enables better pressure generation and suction lift
- ▶ Adjustable tubing retention prevents tubing movement in head
- ▶ Compatible with all Masterflex I/P drives that accept two or more pump heads
- ▶ Model 77600-82 is ATEX Zone 2 rated EEx II 3 G c IIC T6; NEC rated for Class I Division 2, Groups A, B, C, D T6

SELECTION CRITERIA

1. Flow rate desired.
2. Tubing size desired.
3. Compatibility with drives.

Includes 50.8 cm (20") of silicone tubing and single-channel mounting hardware.

See specifications for more information.

Order tubing and drives separately.

COMPATIBILITY WITH DRIVES

- ▶ Mount pumps on all Masterflex I/P drives

PUMP HOUSING SPECIFICATIONS

- ▶ Stainless steel rotor plates/shaft, rollers, and bearings
- ▶ Thermoset polyester occlusion bed

MULTICHANNEL CAPABILITIES

- ▶ I/P High-performance pump heads are not designed to be stacked



I/P high-performance pump head 77600-62

ROLLER/ROTOR SPECIFICATIONS

- ▶ Stainless steel with PTFE shielded ball bearing
- ▶ Operating temperature: 0 to 40°C (32 to 104°F)
- ▶ Storage temperature: -40 to 60°C (-40 to 140°F)
- ▶ Humidity: 5 to 95% (noncondensing)



2 year warranty

ORDERING INFORMATION

| Pump tubing size | Flow rates (at 1 to 650 rpm) | Polyester and SS housing, SS rotor | ATEX-approved; Polyester and SS housing, SS rotor |
|------------------|------------------------------|------------------------------------|---|
| I/P 70 | 0.01 to 8 LPM | | |
| I/P 88 | 0.02 to 17 LPM | HL-77600-62 | HL-77600-82 |
| I/P 89 | 0.03 to 19 LPM | | |



I/P high-performance pump head 77600-62 mounted on I/P process drive 77411-00

I/P PUMP TUBING FLOW RATE INFORMATION

Order Masterflex I/P High-performance Precision pump tubing separately on page 128.

| Tubing cross sections | I/P High-performance Precision tubing | | |
|-----------------------|---|------------------|---|
| | I/P 70 | I/P 88 | I/P 89 |
| Flow rate—mL/rev | 12.3 | 26.2 | 29.2 |
| Flow rate @ 650 rpm | 8 LPM (2.1 GPM) | 17 LPM (4.5 GPM) | 19 LPM (5.0 GPM) |
| Max pressure† | 2.7 bar (40 psi) | 2.4 bar (35 psi) | 1.4 bar (20 psi) |
| Max vacuum† | 660 mm Hg (26" Hg) | | 610 mm Hg (24" Hg) |
| Suction lift | 8.8 m H ₂ O (29 ft H ₂ O) | | 8.2 m H ₂ O (27 ft H ₂ O) |

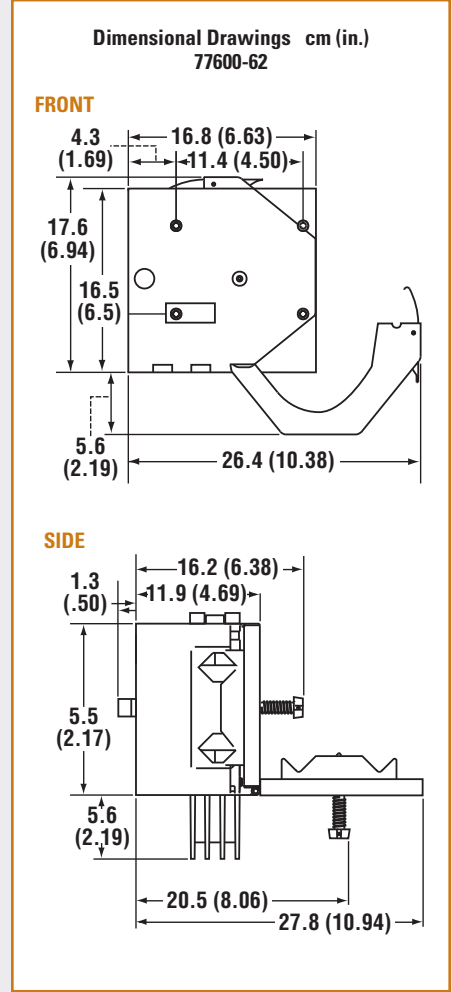
†Actual performance varies depending upon tubing materials—see pages 20–24 and 172–192 for more information.

NOTES

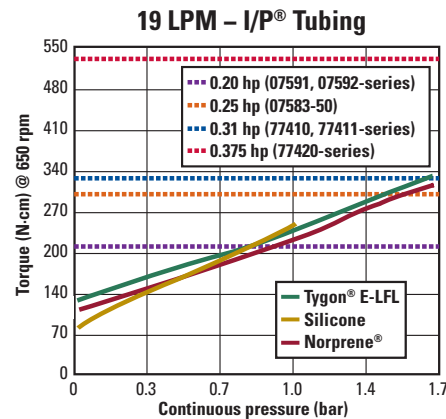
Use only Masterflex pump tubing with Masterflex pumps to ensure optimal performance. Use of other tubing may void applicable warranties.

SPECIFICATIONS for I/P High-Performance Pump Head

| | | |
|--|---|----------------------|
| Catalog number | HL-77600-62 and HL-77600-82 | |
| Performance Specifications | | |
| Flow capacity | 0.01 to 19 LPM (0.002 to 5.0 GPM) | |
| Max rpm | 650 | |
| Number of rollers | 3 | |
| Max pressure | 2.7 bar (40 psi) | |
| Max vacuum | 660 mm Hg (26" Hg) | |
| Max suction lift | 8.8 m H ₂ O (29 ft H ₂ O) | |
| Torque Specifications [pumping water at 0 bar (0 psi), 21°C (70°F)] | | |
| Norprene®, PharMed® BPT | Starting torque | 658 N-cm (930 oz-in) |
| | Running torque | 134 N-cm (190 oz-in) |
| Tygon®, Viton® | Starting torque | 467 N-cm (660 oz-in) |
| | Running torque | 130 N-cm (185 oz-in) |
| C-FLEX®, Silicone | Starting torque | 357 N-cm (480 oz-in) |
| | Running torque | 109 N-cm (155 oz-in) |
| Physical Specifications | | |
| Roller/rotor assembly materials | Stainless steel | |
| Occlusion bed materials | Thermoset polyester | |
| Operating temperature | 0 to 40°C (32 to 104°F) | |
| Shipping weight | 3.2 kg (7 lb) | |



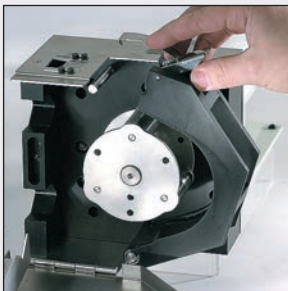
DRIVE TORQUE REQUIREMENTS TO OBTAIN 19 LPM



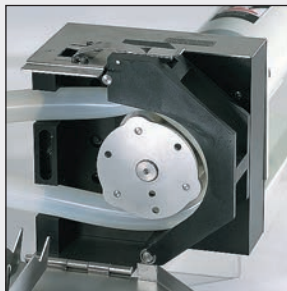
Choose your drive based on desired flow rate, pressure in your application, and type of tubing used. For example, if you need 19 LPM at 1.4 bar and are using Norprene® tubing, you need a drive that supplies 0.25 hp (07583-50).

Some flow rate/pressure combinations are not possible with all drives. High-performance pump head is designed exclusively for use with High-performance Precision tubing.

HOW TO LOAD YOUR PUMP HEAD



1. Rotate tubing retainer knob counterclockwise to release retainer, then open cover. Lift latch to open occlusion bed.



2. Insert tubing into bed with both ends of the tubing extending through notches as shown.



3. Press occlusion bed against the tubing and snap the latch closed. Pull the tubing snug around the rotor, close the cover, and rotate the tubing retainer knob clockwise until the tube no longer moves.

Watch the VIDEO!

For a video demonstration on how to load your I/P High-Performance Pump Head, go to . . . Masterflex.com/video



| | |
|------------------------|---------|
| I/P® TUBING | 126-130 |
| I/P® DRIVES..... | 131-145 |
| I/P® PUMP SYSTEMS..... | 146-151 |

ACCESSORIES..... 160-171

TECHNICAL DATA..... 172-206

I/P® PRECISION PUMP TUBING

- Ensure optimal Masterflex® pump performance
- Custom extruded to fit Masterflex pumps
- Engineered for long life in peristaltic pumps
- Lot-to-lot consistency provides superior accuracy and repeatability

Masterflex I/P pump tubing is manufactured to extremely close tolerances that match our I/P pump heads, ensuring accurate, repeatable

flow and long tubing life. Our tubing is factory-tested and optically inspected to provide the best performance from your peristaltic pump.




Our High-Performance Precision pump tubing features a thicker wall compared to our Precision pump tubing, making it the best choice for applications involving pressure, suction lift, viscous fluids, or long tubing life. See page 128 to order.

MORE online!

For help selecting the right Masterflex pump tubing formulation for your application, go to . . .

ColeParmer.com/MasterflexTubing


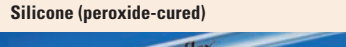


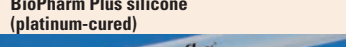




SPECIFICATIONS

| Pump tubing cross sections | I/P Precision pump tubing | | |
|---|---|--|---|
| |  |  |  |
| | I/P 26 | I/P 73 | I/P 82 |
| Inside diameter (nominal) | 6.4 mm (0.25") | 9.5 mm (0.37") | 12.7 mm (0.5") |
| Hose barb size (nominal) | 6.4 mm (1/4") | 9.5 mm (3/8") | 12.7 mm (1/2") |
| Flow range (approximate) [†] with 1 to 650 rpm drive | 0.01 to 4 LPM (0.002 to 1.1 GPM) | 0.01 to 8 LPM (0.002 to 2.1 GPM) | 0.02 to 13 LPM (0.005 to 3.5 GPM) |
| Maximum pressure [‡] | 2.7 bar (40 psi) | 2.7 bar (40 psi) | 1.4 bar (20 psi) |
| Maximum vacuum [†] | 660 mm Hg (26" Hg) | 660 mm Hg (26" Hg) | 510 mm Hg (20" Hg) |
| Suction lift [†] | 8.8 m H ₂ O (29 ft H ₂ O) | 8.8 m H ₂ O (29 ft H ₂ O) | 7.0 m H ₂ O (23 ft H ₂ O) |

[†]Determined under the following conditions: 0 psi at inlet, 0.5 psi at outlet; water temperature at 22°C (72°F).

[‡]Actual performance varies depending on tubing formulation—values shown are for firm tubing. Value for GORE® pump tubing is 4.1 bar (60 psi) continuous.

ORDERING INFORMATION

| Pump tubing formulation | I/P Pump Head Compatibility | | I/P 26 | I/P 73 | I/P 82 |
|---|-----------------------------|------------|---|---|---|
| | Standard | Easy-Load® | | | |
| Silicone (platinum-cured)  | ✓ | ✓ | HL-96410-26 7.6 m (25 ft)/pk | HL-96410-73 7.6 m (25 ft)/pk | HL-96410-82 7.6 m (25 ft)/pk |
| Silicone (peroxide-cured)  | ✓ | ✓ | HL-96400-26 7.6 m (25 ft)/pk | HL-96400-73 7.6 m (25 ft)/pk | HL-96400-82 7.6 m (25 ft)/pk |
| BioPharm silicone (platinum-cured)  | ✓ | ✓ | HL-96420-26 7.6 m (25 ft)/pk | HL-96420-73 7.6 m (25 ft)/pk | HL-96420-82 7.6 m (25 ft)/pk |
| BioPharm Plus silicone (platinum-cured)  | ✓ | ✓ | HL-96440-26 7.6 m (25 ft)/pk | HL-96440-73 7.6 m (25 ft)/pk | HL-96440-82 7.6 m (25 ft)/pk |
| Puri-Flex™  | ✓ | ✓ | HL-96419-26 7.6 m (25 ft)/pk | HL-96419-73 7.6 m (25 ft)/pk | HL-96419-82 7.6 m (25 ft)/pk |
| C-Flex®  | ✓ | ✓ | HL-06424-26 7.6 m (25 ft)/pk | HL-06424-73 7.6 m (25 ft)/pk | HL-06424-82 7.6 m (25 ft)/pk |
| C-Flex® ULTRA  | ✓ | ✓ | HL-06434-26 7.6 m (25 ft)/pk | HL-06434-73 7.6 m (25 ft)/pk | HL-06434-82 7.6 m (25 ft)/pk |
| PharMed® BPT  | ✓ | ✓ | HL-06508-26 7.6 m (25 ft)/pk | HL-06508-73 7.6 m (25 ft)/pk | HL-06508-82 7.6 m (25 ft)/pk |
| PharmaPure®  | | ✓ | HL-06435-26 7.6 m (25 ft)/pk | HL-06435-73 7.6 m (25 ft)/pk | HL-06435-82 7.6 m (25 ft)/pk |

SEE PAGES 20 TO 24

For detailed formulation descriptions and specifications.

ORDERING INFORMATION

| Pump tubing formulation | I/P Pump Head Compatibility | | I/P 26 | I/P 73 | I/P 82 |
|--|-----------------------------|------------|--|--|--|
| | Standard | Easy-Load® | | | |
| Chem-Durance® Bio | | ✓ | HL-06442-26 15.2 m (50 ft)/pk | HL-06442-73 15.2 m (50 ft)/pk | HL-06442-82 15.2 m (50 ft)/pk |
| Tygon® E-LFL | NEW ✓ | ✓ | HL-06440-26 7.6 m (25 ft)/pk | HL-06440-73 7.6 m (25 ft)/pk | HL-06440-82 7.6 m (25 ft)/pk |
| Tygon® E-Food (B-44-4X) | NEW ✓ | ✓ | HL-06418-26 15.2 m (50 ft)/pk | HL-06418-73 15.2 m (50 ft)/pk | HL-06418-82 15.2 m (50 ft)/pk |
| Tygon® E-Lab (E-3603) | NEW ✓ | ✓ | HL-06509-26 15.2 m (50 ft)/pk | HL-06509-73 15.2 m (50 ft)/pk | HL-06509-82 15.2 m (50 ft)/pk |
| Tygon® Fuel & Lubricant (F-4040-A) | ✓ | ✓ | — | HL-06401-73 15.2 m (50 ft)/pk | HL-06401-82 15.2 m (50 ft)/pk |
| Tygon® Chemical (2001) | | ✓ | HL-06475-26 15.2 m (50 ft)/pk | HL-06475-73 15.2 m (50 ft)/pk | HL-06475-82 15.2 m (50 ft)/pk |
| Norprene® (A 60 G) | ✓ | ✓ | HL-06404-26 15.2 m (50 ft)/pk | HL-06404-73 15.2 m (50 ft)/pk | HL-06404-82 15.2 m (50 ft)/pk |
| Norprene® Food (A 60 F) | ✓ | ✓ | HL-06402-26 15.2 m (50 ft)/pk | HL-06402-73 15.2 m (50 ft)/pk | HL-06402-82 15.2 m (50 ft)/pk |
| Gore® Style 100SC | ✓ | ✓ | HL-96190-26 61 cm (24")/pk | HL-96190-73 61 cm (24")/pk | HL-96190-82 61 cm (24")/pk |
| Gore® Style 500 | ✓ | ✓ | HL-96191-26 61 cm (24")/pk | HL-96191-73 61 cm (24")/pk | HL-96191-82 61 cm (24")/pk |
| Gore® Style 400 | ✓ | ✓ | — | HL-06439-73 61 cm (24")/pk | — |
| Viton® | ✓ | ✓ | HL-96412-26 7.6 m (25 ft)/pk | HL-96412-73 7.6 m (25 ft)/pk | — |



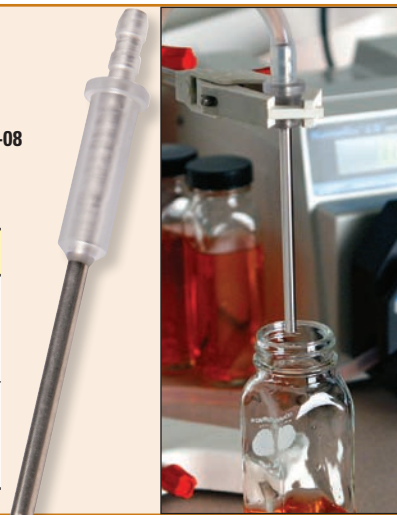
FILLER/DISPENSING NOZZLES

- ▶ Maximize the speed, precision, and accuracy of dispensing and filling applications
- ▶ Minimize splashing and dripping when dispensing into narrow- or wide-mouth containers
- ▶ Dimensional tolerances of ±0.05% for assured repeatability

These nozzles combine the ease of plastic components with the accuracy and reliability of stainless steel filler needles. Tight dimensional tolerances help to ensure precision in your dispensing applications. Nozzles feature a 316L stainless steel tube and a polycarbonate base with hose barb adapter. Materials comply with FDA, USDA and USP Class VI requirements. All filler nozzles are sterilizable by ethylene oxide, autoclaving, or gamma irradiation.

30619-08




| Catalog number | Tubing ID | Fits Masterflex® tubing sizes |
|-----------------------------|-----------|---------------------------------|
| HL-30619-06 | 1/32" | L/S® 13 |
| HL-30619-01 | 1/16" | L/S 14 |
| HL-30619-07 | 1/8" | L/S 16 |
| HL-30619-02 | 3/16" | L/S 15, 25 |
| HL-30619-08 | 1/4" | L/S 17, 24; I/P® 26 |
| HL-30619-03 | 5/16" | L/S 35 |
| HL-30619-09 | 3/8" | L/S 18, 36; I/P 70, 73; B/T® 86 |
| HL-30619-04 | 1/2" | I/P 82, 88; B/T 87 |
| HL-30619-10 | 5/8" | I/P 89 |
| HL-30619-05 | 3/4" | B/T 91 |



I/P® HIGH-PERFORMANCE PRECISION PUMP TUBING

Our High-Performance Precision pump tubing features a thicker wall compared to our Precision pump tubing, making it the best choice for applications involving pressure, suction lift, viscous fluids, or long tubing life.

SPECIFICATIONS

| Pump tubing cross sections | I/P High-performance Precision pump tubing | | |
|--|---|--|---|
| |  |  |  |
| | I/P 70 | I/P 88 | I/P 89 |
| Inside diameter (nominal) | 9.5 mm (0.37") | 12.7 mm (0.5") | 15.88 mm (0.62") |
| Hose barb size (nominal) | 9.5 mm (3/8") | 12.7 mm (1/2") | 15.88 mm (5/8") |
| Flow range (approximate) [†] with 1 to 650 rpm drive | 0.01 to 8 LPM (0.002 to 2.1 GPM) | 0.02 to 17 LPM (0.005 to 4.5 GPM) | 0.03 to 19 LPM (0.007 to 5.0 GPM) |
| Maximum pressure [‡] | 2.7 bar (40 psi) | 2.4 bar (35 psi) | 1.4 bar (20 psi) |
| Maximum vacuum [‡] | 660 mm Hg (26" Hg) | 660 mm Hg (26" Hg) | 610 mm Hg (24" Hg) |
| Suction lift [‡] | 8.8 m H ₂ O (29 ft H ₂ O) | 8.8 m H ₂ O (29 ft H ₂ O) | 8.2 m H ₂ O (27 ft H ₂ O) |

[†]Determined under the following conditions: 0 psi at inlet, 0.5 psi at outlet; water temperature at 22°C (72°F).

[‡]Actual performance varies depending on tubing formulation—values shown are for firm tubing.

ORDERING INFORMATION

| Pump tubing formulation | I/P Pump Head Compatibility | | | |
|---|-----------------------------|--|--|--|
| | High-Performance | I/P 70 | I/P 88 | I/P 89 |
| Silicone (platinum-cured) | ✓ | — | HL-96510-88 3.0 m (10 ft)/pk | HL-96510-89 3.0 m (10 ft)/pk |
|  BioPharm silicone (platinum-cured) | ✓ | HL-96421-70 3.0 m (10 ft)/pk | HL-96421-88 3.0 m (10 ft)/pk | HL-96421-89 3.0 m (10 ft)/pk |
|  BioPharm Plus silicone (platinum-cured) | ✓ | HL-96441-70 3.0 m (10 ft)/pk | HL-96441-88 3.0 m (10 ft)/pk | HL-96441-89 3.0 m (10 ft)/pk |
|  Puri-Flex™ | ✓ | HL-96419-70 3.0 m (10 ft)/pk | HL-96419-88 3.0 m (10 ft)/pk | HL-96419-89 3.0 m (10 ft)/pk |
|  C-Flex® | ✓ | HL-06424-70 3.0 m (10 ft)/pk | HL-06424-88 3.0 m (10 ft)/pk | HL-06424-89 3.0 m (10 ft)/pk |
|  PharMed® BPT | ✓ | HL-06508-70 7.6 m (25 ft)/pk | HL-06508-88 7.6 m (25 ft)/pk | — |
|  Chem-Durance® Bio | ✓ | HL-06442-70 7.6 m (25 ft)/pk | HL-06442-88 7.6 m (25 ft)/pk | HL-06442-89 7.6 m (25 ft)/pk |
|  Tygon® E-LFL NEW | ✓ | HL-06440-70 7.6 m (25 ft)/pk | HL-06440-88 7.6 m (25 ft)/pk | HL-06440-89 7.6 m (25 ft)/pk |
|  Tygon® E-Food (B44-4X) NEW | ✓ | HL-06418-70 15.2 m (50 ft)/pk | HL-06418-88 15.2 m (50 ft)/pk | HL-06418-89 15.2 m (50 ft)/pk |
|  Tygon® E-Lab (E-3603) NEW | ✓ | HL-06509-70 15.2 m (50 ft)/pk | HL-06509-88 15.2 m (50 ft)/pk | HL-06509-89 15.2 m (50 ft)/pk |
|  Norprene® (A 60 G) | ✓ | HL-06404-70 7.6 m (25 ft)/pk | HL-06404-88 7.6 m (25 ft)/pk | HL-06404-89 7.6 m (25 ft)/pk |
|  Norprene® Food (A 60 F) | ✓ | — | HL-06402-88 7.6 m (25 ft)/pk | HL-06402-89 7.6 m (25 ft)/pk |
|  GORE® Style 100SC | ✓ | — | HL-96190-88 61 cm (24")/pk | HL-96190-89 61 cm (24")/pk |
|  GORE® Style 500 | ✓ | — | HL-96191-88 61 cm (24")/pk | HL-96191-89 61 cm (24")/pk |
|  GORE® Style 400 | ✓ | — | HL-06439-88 61 cm (24")/pk | — |

I/P® SANITARY PUMP TUBING ASSEMBLIES

FEATURES/BENEFITS

- ▶ Ideal for biotech, pharmaceutical, food, beverage, and dairy processing applications
- ▶ Pre-molded tubing ends with ½" mini-connection for bacteria-free fluid transfer
- ▶ Sanitary tubing is less thermally conductive than metallic tubing systems and not subject to galvanic action, RFI, or EMI

HOW TO CONNECT TUBING

- ▶ Each length of tubing features pre-molded ends with ½" mini-connection. One end has molded-in gasket to ensure quality seal
- ▶ Pre-molded ends allow quick connection to an adapter or to additional length of sanitary tubing
- ▶ Join ½" mini-connection to another ½" mini-connection, adapter, or to system with a push/pull clamp. Clamped connection withstands greater pressures than tubing.

HOW TO ORDER

1. Order your desired tubing formulation and length. Choose tubing size based on flow range (see chart on pages 126 and 128).
2. Order PVDF push/pull clamp (separately below).
3. Order silicone or Viton® gaskets as needed to connect to your system or to adapters.
4. Select sanitary adapters as needed.

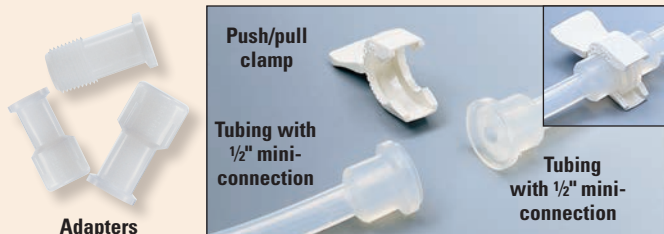


I/P PharMed® BPT sanitary tubing features pre-molded ends with ½" mini-connection

ORDERING INFORMATION

| Tubing size | Platinum-cured silicone (96410-series) 1.5-m (5-ft) length | Platinum-cured silicone (96410-series) 3-m (10-ft) length | PharMed® BPT (06508-series) 1.5-m (5-ft) length | PharMed® BPT (06508-series) 3-m (10-ft) length |
|--|---|--|--|---|
| | Catalog number | Catalog number | Catalog number | Catalog number |
| I/P Precision sanitary pump tubing | | | | |
| I/P 26 | HL-96100-26 | HL-96101-26 | HL-96112-26 | HL-96113-26 |
| I/P 73 | HL-96100-73 | HL-96101-73 | HL-96112-73 | HL-96113-73 |
| I/P 82 | HL-96100-82 | HL-96101-82 | HL-96112-82 | HL-96113-82 |
| I/P High-performance Precision sanitary pump tubing | | | | |
| I/P 70 | — | — | HL-96112-70 | HL-96113-70 |
| I/P 88 | — | — | HL-96112-88 | HL-96113-88 |
| I/P 89 | — | — | HL-96112-89 | HL-96113-89 |

ACCESSORIES FOR I/P SANITARY PUMP TUBING



HL-31201-88 Push/pull clamp, PVDF. For quick joining of two ½" mini connections.

Gaskets. Order gaskets to join ½" mini connection without molded-in gasket to another ½" mini connection without molded-in gasket or to an adapter (sold separately below).

HL-30548-00 Silicone gasket for use with sanitary silicone (platinum-cured) tubing. Pack of 10.

HL-30548-20 Viton® gasket for use with sanitary PharMed® BPT tubing. Pack of 10.

ADAPTER ORDERING INFORMATION

| Adapter connections | Polypropylene | PVDF |
|-----------------------------|-----------------------------|-----------------------------|
| | Catalog number | Catalog number |
| ½" mini to ¼" NPT(M) | HL-31200-01 | HL-31201-01 |
| ½" mini to ¼" NPT(F) | HL-31200-11 | HL-31201-11 |
| ½" mini to ¼" hose barb | HL-31805-25 | HL-31808-25 |
| ½" mini to ⅜" NPT(M) | HL-31200-02 | HL-31201-02 |
| ½" mini to ⅜" NPT(F) | HL-31200-12 | HL-31201-12 |
| ½" mini to ⅜" hose barb | HL-31805-26 | HL-31808-26 |
| ½" mini to ½" NPT(M) | HL-31200-03 | HL-31201-03 |
| ½" mini to ½" NPT(F) | HL-31200-13 | HL-31201-13 |
| ½" mini to 1" Iadish | HL-31805-05 | HL-31201-40 |
| ½" mini to female luer lock | HL-31200-50 | HL-31201-50 |

NOTES

- ▶ Consider all aspects of your application: flow rate, pressure, viscosity, etc.
- ▶ If your application requires the generation of high pressure, a strong vacuum/suction lift, or involves viscous fluids, consider using High-performance Precision tubing.

Note: Use High-performance Precision tubing only with the High-performance pump head.

- ▶ Norprene®, PharMed® BPT, and Tygon® are the firmest formulations we offer; C-FLEX® and silicone are the softest. Firm tubing has better pressure generation, stronger vacuum/suction lift, and lower gas permeability.
- ▶ Review the tubing compatibility charts on pages 30–31 and specific information on tubing materials on pages 20–24.
- ▶ Always test tubing before extended use: see page 31 for tubing testing procedures.

I/P® SPOOLED PUMP TUBING

- ▶ Continuous lengths of tubing are convenient and cost-effective
- ▶ Spools contain up to 121.9 m (400 ft) of continuous pump tubing, depending on size
- ▶ Eliminate waste by cutting to the exact length needed for your application
- ▶ Save space and shipping costs by buying in bulk
- ▶ Good choice for applications requiring long, continuous runs of tubing, or which use odd-size lengths that generate scrap when using standard 7.6- or 15.2-m (25- or 50-ft) coils

TECHNICAL INFO

For technical information about our Masterflex® pump tubing formulations, go to pages 20–31.

Save Money and Reduce Downtime!

96403-26

SEE PAGE 73

Order L/S® spooled and bulk tubing on page 73.

ORDERING INFORMATION

| Tubing size | Peroxide-cured silicone (96400-series) | | Platinum-cured silicone (96410-series) | | PharMed® BPT (06508-series) | | BioPharm Silicone (96420-series) | | C-Flex® (06424-series) | |
|-------------|--|-----------------------------|--|-----------------------------|-----------------------------|-----------------------------|----------------------------------|-----------------------------|------------------------|-----------------------------|
| | m (ft) | Catalog number | m (ft) | Catalog number | m (ft) | Catalog number | m (ft) | Catalog number | m (ft) | Catalog number |
| I/P 26 | — | — | 61.0 (200) | HL-96403-26 | 61.0 (200) | — | 121.9 (400) | HL-96423-26 | 121.9 (400) | HL-06427-26 |
| I/P 73 | 45.7 (150) | HL-96402-73 | 45.7 (150) | HL-96403-73 | 45.7 (150) | HL-95687-73 | 30.5 (100) | HL-96423-73 | 30.5 (100) | HL-06427-73 |
| I/P 82 | 30.5 (100) | HL-96402-82 | 30.5 (100) | HL-96403-82 | 30.5 (100) | HL-95687-82 | — | — | 30.5 (100) | HL-06427-82 |
| I/P 88 | — | — | — | — | — | — | 30.5 (100) | HL-96423-88 | — | — |
| I/P 89 | — | — | — | — | — | — | 30.5 (100) | HL-96423-89 | — | — |

I/P® BULK-PACKED PUMP TUBING

- ▶ Save money and always have enough tubing on hand
- ▶ Tubing coils are individually bagged and sealed to prevent contamination
- ▶ Use as many or as few as you need, and store the rest
- ▶ Save money by buying and shipping in bulk
- ▶ Bulk packs contain ten individually bagged, sealed 7.6-m (25-ft) coils of tubing, all from a single manufacturing lot

ORDERING INFORMATION

| Tubing size | Number of 7.6-m (25-ft) bags per box | Platinum-cured silicone (96410-series) | PharMed® BPT (06508-series) | C-Flex® (06424-series) |
|-------------|--------------------------------------|--|-----------------------------|-----------------------------|
| | | Catalog number | Catalog number | Catalog number |
| I/P 26 | 10 | HL-96404-26 | — | HL-06436-26 |
| I/P 73 | 10 | HL-96404-73 | — | HL-06436-73 |
| I/P 82 | 10 | HL-96404-82 | HL-95691-82 | HL-06436-82 |



Bulk packs offer individually sealed bags of tubing at a lower price per pack than individual packs—so you save money!

PURE-FIT® TC TUBING CLAMPS

Install easily over existing tubing lines or assemblies



- ▶ Smooth contours eliminate risk of puncture or rupture
- ▶ Fully sterilizable
- ▶ Meet USP Class IV criteria

The Pure-Fit TC clamp has a press-down locking mechanism that provides complete fluid stoppage. Its side-release mechanism ensures against unwanted opening. The open design can be installed over existing fittings or finished tubing assemblies, eliminating costly downtime. Available sizes handle two tubing ranges.

Available in polypropylene (PP) or PVDF. Sterilize PP by gamma irradiation only; PVDF may be sterilized by gamma irradiation or autoclaving. Sold in pack of 10.

| Catalog number | Fits Masterflex® tubing sizes | Material |
|-----------------------------|--|---------------|
| HL-06822-01 | L/S® 13, 14, 15, 16, 17, 25 | Polypropylene |
| HL-06822-03 | | PVDF |
| HL-06822-11 | L/S 18, 24, 35, 36; I/P® 26, 70, 73, 82 | Polypropylene |
| HL-06822-13 | | PVDF |



SELECTION GUIDE FOR I/P® DRIVES

| | Description | Max flow rate | Fixed speed (rpm) | Variable speed (rpm) | Reversible | Remote control capabilities | Special features | Page number | |
|---------------------------|---|---|-------------------|----------------------|------------|--|---|-------------|--|
| Digital | MODULAR | | | | | | | | |
| |  NEW | Up to 19 LPM (5.0 GPM) with one pump head; up to 26 LPM (6.9 GPM) with two Standard or Easy-Load pump heads (silicone or C-FLEX® tubing only) | — | 6 to 650 | ✓ | Speed (some models) | Separate motor and controller for convenient set-up; models available with wall-mount controller and IP66 protection | 132–133 | |
| |  | Up to 19 LPM (5.0 GPM) with one pump head; up to 26 LPM (6.9 GPM) with two Standard or Easy-Load® pump heads with any tubing formulation | — | 33 to 650 | ✓ | Speed, direction, start/stop (some models) | Compact and powerful; maintenance-free brushless motor; IP55 rated | 134–137 | |
| |  NEW | Up to 19 LPM (5.0 GPM) with one pump head; up to 26 LPM (6.9 GPM) with two Standard or Easy-Load pump heads | — | 0.1 to 650 | ✓ | Speed, direction, start/stop, prime | Digital dispensing with calibration; separate motor and controller for convenient setup; models available with wall-mount controllers and IP66 protection | 138–139 | |
| Specialty | DIGITAL PROCESS | | | | | | | | |
| |  NEW | Up to 19 LPM (5.0 GPM) with one pump head; up to 26 LPM (6.9 GPM) with two Standard or Easy-Load pump heads with any tubing formulation | — | 0.1 to 650 | ✓ | Speed, direction, start/stop, prime | Digital dispensing with calibration; sealed, seamless enclosure; NEMA 4X and IP66 rated; maintenance-free brushless motor | 140–141 | |
| | AIR-POWERED | | | | | | | | |
| |  | Up to 19 LPM (5.0 GPM) with one pump head; up to 26 LPM (6.9 GPM) with two Standard or Easy-Load pump heads | — | 100 to 650 | — | — | Use where electricity is unsafe or impractical. ATEX Zone 2 approved. | 142 | |
| Specialty | FIXED-SPEED AND MULTICHANNEL | | | | | | | | |
| |  | Up to 15.8 LPM (4.2 GPM) with one pump head; up to 22 LPM (5.8 GPM) with two Easy-Load pump heads | 83, 100, 450, 540 | — | ✓ | — | Economical and simple to operate; up to four channels | 143 | |
| | HAZARDOUS-DUTY | | | | | | | | |
| |  | Up to 12.6 LPM (3.3 GPM) with one pump head; up to 17 LPM (4.5 GPM) with two Standard or Easy-Load pump heads | — | 10 to 430 | — | — | Agency certified for use in hazardous locations | 144 | |
| PUMP HEAD ADAPTERS | | | | | | | | | |
| |  | Flow rates and features depend on motor selection | | | | | Allows you to use 56C motors with Masterflex® pump heads | 145 | |

I/P® PRECISION MODULAR DRIVES



Modular drive with benchtop controller 07591-20

NEW



Modular drive 07591-30 with wall-mount controller shown with Easy-Load® pump head 77601-10

FEATURES/BENEFITS

- ▶ Flow rates: 0.036 to 19 LPM (0.009 to 5 GPM) with I/P tubing
- ▶ Modular format lets you separate drive and controller for convenient placement; a 1.8-m (6-ft) control cable is included. Extend that distance with optional 2.7-m (9-ft) extension cable
- ▶ Three-digit LED shows motor speed (rpm)—confirm speed setting at a glance
- ▶ PWM speed control for precise, efficient control; ±0.25% speed control accuracy
- ▶ Reversible motor—easily reverse direction of flow to purge or prime tubing
- ▶ Universal voltage, 90 to 260 VAC autoselect, 50/60 Hz
- ▶ Compatible with all I/P pump heads

DRIVE CONTROLS

- ▶ Protected power switch located on controller
- ▶ Lighted display indicates power is on
- ▶ LED indicator shows motor/pumping direction
- ▶ Simple programming and operation of the following via sealed membrane keypad:
 - ◆ Flow direction
 - ◆ Motor speed (rpm)
 - ◆ Control mode (remote/internal)
 - ◆ Start/stop

SETUP

1. Mount pump head(s) and load tubing.
2. Connect drive cable to controller.
3. Turn drive power on.
4. Select manual (internal) or remote (external) control.
5. Select motor direction.
6. Set drive speed (rpm) through keypad.
7. Press START key to begin pumping.

SPEED CONTROL/CIRCUITRY

- ▶ Regulate motor through keypad, 4 to 20 mA, or 0 to 10 V signal
- ▶ Soft start for starts without power surges
- ▶ Speed not affected by variations in power line voltage (VAC) or frequency (Hz)
- ▶ Line filters reduce outside interference
- ▶ Meets UL 61010-1, CAN/CSA C22.2, No. 61010-1; For CE mark: EN61010-1 (EU low voltage) and EN61326-1 (EU EMC)

SELECTION CRITERIA

1. Motor rpm / flow rate.
 2. Benchtop or washdown, wall-mount controller.
- Order pump heads and tubing separately.**

REMOTE CONTROL

Benchtop Modular Drive

- ▶ Remote control via 9-pin (DB9) female connection on back of controller
- ▶ Speed control input: 4 to 20 mA and 0 to 10 V
- ▶ START/STOP, CW/CCW via contact closure
- ▶ Handheld remote, cable, and foot switch options; order separately under "Accessories"

Modular Drive with Washdown, Wall-Mount Controller

- ▶ Remote control via 18-pin weather-resistant circular connection on bottom of controller
- ▶ Speed control input: 4 to 20 mA and 0 to 10 V
- ▶ START/STOP, CW/CCW via contact closure
- ▶ Remote cable and foot switch options; order separately under "Accessories"

ISO9001:2008
CERTIFIED SUPPLIER

UL US

CE

2 year warranty

07591-30

ORDERING INFORMATION

| Catalog number | rpm | Power (50/60 Hz) |
|---|----------|------------------|
| Benchtop precision modular drive | | |
| HL-07591-20 | 6 to 650 | 90 to 260 VAC |
| Precision modular drive with washdown controller | | |
| HL-07591-30 | 6 to 650 | 90 to 260 VAC |

I/P PUMP TUBING FLOW RATE INFORMATION

Order Masterflex I/P tubing separately on pages 126–130.

STANDARD
0.06 to 13 LPM
pages 120–121



EASY-LOAD®
0.04 to 13 LPM
pages 122–123



HIGH-PERFORMANCE
0.08 to 19 LPM
pages 124–125



| Tubing cross sections | I/P Precision pump tubing | | | I/P High-Performance Precision pump tubing† | | |
|---------------------------|-----------------------------------|-----------------------------------|----------------------------------|---|----------------------------------|----------------------------------|
| | I/P 26 | I/P 73 | I/P 82 | I/P 70 | I/P 88 | I/P 89 |
| Flow range @ 6 to 650 rpm | 0.04 to 4.0 LPM (0.01 to 1.0 GPM) | 0.06 to 8.0 LPM (0.02 to 2.1 GPM) | 0.12 to 13 LPM (0.03 to 3.5 GPM) | 0.08 to 8.0 LPM (0.02 to 2.1 GPM) | 0.12 to 17 LPM (0.03 to 4.5 GPM) | 0.16 to 19 LPM (0.04 to 5.0 GPM) |

†Use High-performance Precision tubing with High-Performance pump head. Flow rates were determined using water at room temperature and with zero back pressure and zero suction lift.

ACCESSORIES

For Benchtop Model 07591-20

HL-07557-51 Extension cable, 2.7 m (9 ft), to extend distance between motor and controller.

HL-07595-47 Cable assembly, DB9 male connector and 7.9-m (25-ft) cable with stripped wire terminal ends. Use for remote control.

HL-77595-35 Foot switch, DB9 male with 1.8-m (6-ft) cable.

HL-17050-01 NIST-traceable calibration with data for peristaltic pump drive.

For Washdown Model 07591-30

HL-07557-51 Extension cable, 2.7 m (9 ft), to extend distance between motor and controller.

HL-77300-32 Cable assembly, 18-pin round connector and 7.9-m (25-ft) cable with stripped wire terminal ends. Use for remote control.

HL-07595-43 Washdown foot switch, 18-pin round with 1.8-m (6-ft) cable.

HL-17050-01 NIST-traceable calibration with data for peristaltic pump drive.

SPECIFICATIONS for I/P Precision Modular Drives

| Catalog number | | HL-07591-20 | HL-07591-30 |
|-----------------------------------|------------|---|--|
| Performance Specifications | | | |
| Flow capacity [†] | | 0.036 to 19 LPM (0.009 to 5 GPM) | |
| rpm | | 6 to 650 | |
| Number of heads accepted | | 2 | |
| Maximum torque | Starting | 635 N-cm (900 oz-in) | |
| | Running | 212 N-cm (300 oz-in) | |
| Reversible | | Yes | |
| External control – Input | | 4 to 20 mA, 0 to 10 V; START/STOP, CW/CCW via contact closure | |
| External control – Output | | Not applicable | |
| Electrical Specifications | | | |
| Voltage/Frequency VAC (Hz) | | 90 to 260 (50/60) | |
| Current | | 4.4 A at 115 V; 2.2 A at 230 V | |
| Fuse rating | | 6.3 A / 250 V | |
| Motor type | | Continuous-duty, TENV [‡] , permanent magnet DC | |
| Motor size | | 149 W (1/2 hp) | |
| Display | | Three-digit LED | |
| Motor/speed control type | | PWM | |
| Speed regulation | | ±0.25% | |
| Soft start/Electronic brake | | Yes/No | |
| Physical Specifications | | | |
| Housing materials | Drive | Painted steel and aluminum | Painted steel and aluminum |
| | Controller | ABS plastic housing, coated aluminum chassis | Painted aluminum |
| IP rating ^{††} | | IP33 | IP66 (NEMA 4X) |
| Agency listings | | ETL, cETL, CE | |
| Operating temperature | | 0 to 40°C (32 to 104°F) | |
| Storage temperature | | -25 to 65°C (-13 to 149°F) | |
| Dimensions (L x W x H) | Drive | 35.3 x 13.9 x 15.6 cm (13 7/8" x 5 1/2" x 6 1/8") | 36.2 x 17.8 x 16.5 cm (14 1/4" x 7" x 6 1/2") |
| | Controller | 26.3 x 21.1 x 14.0 cm (10 3/8" x 8 3/8" x 5 1/2") | 28.5 x 27.9 x 11.9 cm (10 1/2" x 11" x 4 3/4") |
| Shipping weight | | 9.9 kg (21.8 lb) | 18.0 kg (39.7 lb) |

[†]Depending on drive rpm and tubing size.

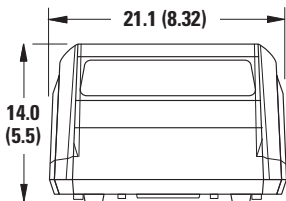
[‡]Totally enclosed, nonventilating.

^{††}See page 194 for an explanation of IP ratings.

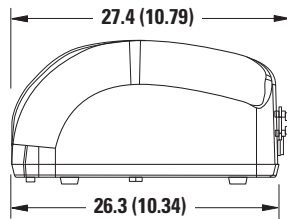
Dimensional Drawings cm (in.)

07591-20 Controller

FRONT

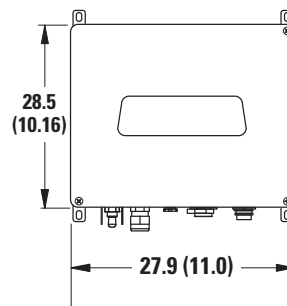


SIDE

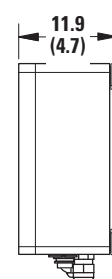


07591-30 Controller

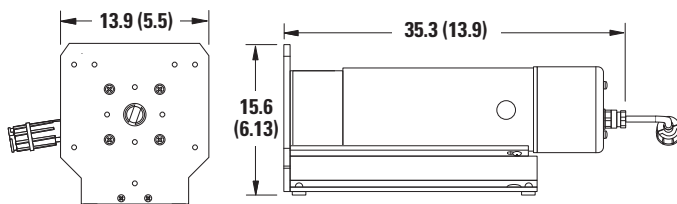
FRONT



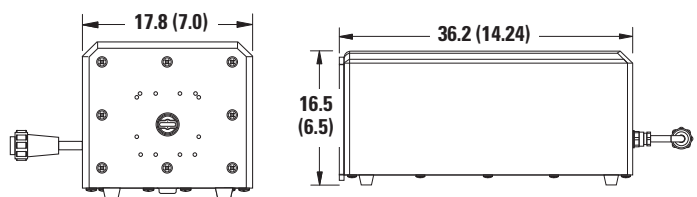
SIDE



07591-20 Drive



07591-30 Drive



I/P® BRUSHLESS PROCESS DRIVE

FEATURES/BENEFITS

- ▶ 1/3-hp brushless motors handle challenging applications with minimal maintenance
- ▶ Nonchip epoxy-coated, IP55-rated steel enclosure protects against moisture, chemicals, and dust
- ▶ 1% speed resolution
- ▶ Compact drives are light enough to carry with one hand, but powerful enough to drive two pump heads
- ▶ Easy-to-read LED display
- ▶ Convenient carrying handle allows for easy portability
- ▶ Low-maintenance drives have no motor brushes to replace
- ▶ Reversible motor—pump in either direction
- ▶ Control speed via a three-turn potentiometer for quick, easy adjustments
- ▶ CW/CCW and start/stop via sealed keypad
- ▶ Motor speed is displayed from 5 to 100% via a digital display

DRIVE/SPEED CONTROLS

- ▶ Protected power switch located on back of drive
- ▶ Lighted display indicates power is on
- ▶ Control the speed and direction of the flow via the following:
 - ◆ STOP/START
 - ◆ DIRECTION
 - ◆ SPEED

SETUP

1. Mount pump head(s) and load tubing.
2. Turn drive power on.
3. Select pump DIRection (clockwise or counter-clockwise).
4. Press STOP/START key to begin pumping.
5. Adjust speed to achieve desired flow rate.



I/P brushless process drive 77410-10 shown with I/P Easy-Load pump head 77601-10

SPEED CONTROL/CIRCUITRY

- ▶ Regulate motor speed from 5 to 100% via the analog button (clockwise rotation increases speed)
- ▶ Speed not affected by variations in line voltage (VAC) or frequency (Hz)
- ▶ Line filters reduce outside interference
- ▶ Meets UL 508C, CSA C22.2, No. 14, EN61010-1 and EN61326-1 (for CE)

PUMP HEADS ACCEPTED

- ▶ Accepts three different pump head types: Standard, Easy-Load®, and High-Performance

NOTES

This brushless process drive supplies enough torque to drive two pump heads using any tubing formulation.

ISO9001:2008
CERTIFIED SUPPLIER



2 year
warranty

ORDERING INFORMATION

| Catalog number | rpm | Power (50/60 Hz) |
|-----------------------------|-----------|------------------|
| HL-77410-10 | 33 to 650 | 90 to 260 VAC |

ACCESSORIES

[HL-17050-01](#) NIST-traceable calibration for peristaltic pump drive.

I/P PUMP TUBING FLOW RATE INFORMATION

Order Masterflex I/P tubing separately on pages 126–130.

STANDARD
0.40 to 13 LPM
pages 120–121



EASY-LOAD®
0.20 to 13 LPM
pages 122–123



HIGH-PERFORMANCE
0.40 to 19 LPM
pages 124–125



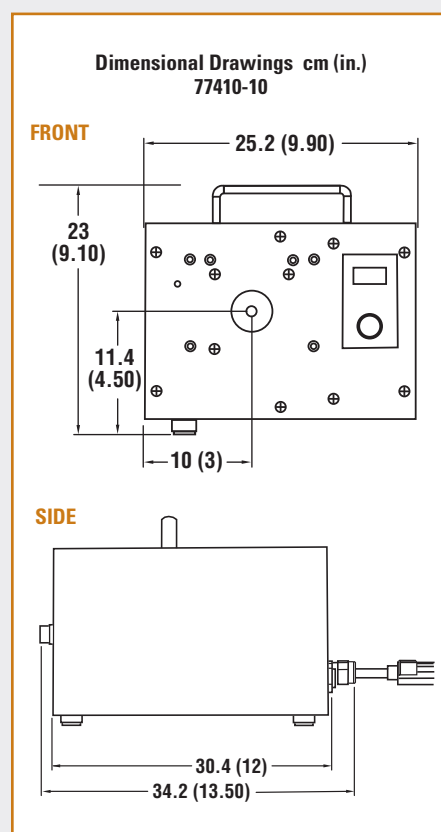
| Tubing cross sections | I/P Precision pump tubing | | | I/P High-performance Precision pump tubing† | | |
|----------------------------|--------------------------------------|--------------------------------------|-------------------------------------|---|-------------------------------------|-------------------------------------|
| | I/P 26 | I/P 73 | I/P 82 | I/P 70 | I/P 88 | I/P 89 |
| Flow range @ 33 to 650 rpm | 0.20 to 4.0 LPM (0.06 to 1.0 GPM) | 0.40 to 8.0 LPM (0.11 to 2.1 GPM) | 0.66 to 13 LPM (0.17 to 3.5 GPM) | 0.40 to 8.0 LPM (0.11 to 2.1 GPM) | 0.66 to 17 LPM (0.17 to 4.5 GPM) | 0.86 to 19 LPM (0.23 to 5.0 GPM) |

†Use High-performance precision tubing with High-Performance pump head only. Flow rates were determined using water at room temperature and with zero back pressure and suction lift.

SPECIFICATIONS for I/P Analog Brushless Process Drive

| | | |
|-----------------------------------|--|----------------------|
| Catalog number | HL-77410-10 | |
| Performance Specifications | | |
| Flow capacity | 0.2 to 19 LPM (0.06 to 5.0 GPM) | |
| rpm | 33 to 650 | |
| Number of heads accepted | 2 | |
| Maximum torque | Starting | 678 N-cm (960 oz-in) |
| | Running | 382 N-cm (540 oz-in) |
| Reversible | Yes | |
| External control | Input | Not applicable |
| | Output | Not applicable |
| Electrical Specifications | | |
| Voltage/Frequency VAC (50/60 Hz) | 90 to 130 and 220 to 260, dual-voltage autoselecting | |
| Current | 4.5 A at 115 VAC; 2.6 A at 230 VAC | |
| Fuse rating | 6.3 A / 250 V | |
| Motor type | Continuous-duty, brushless DC | |
| Motor size | 0.25 kW (1/3 hp) | |
| Display | Three-digit, seven-segment LED | |
| Motor/speed control type | Three-turn potentiometer | |
| Speed regulation (repeatability) | ±0.25% | |
| Soft start/Electronic brake | Yes/Yes | |
| Physical Specifications | | |
| Housing materials | Painted steel | |
| IP rating [‡] | IP55 | |
| Agency listings | UL, cUL, CE | |
| Operating temperature | 0 to 40°C (32 to 104°F) | |
| Storage temperature | -25 to 65°C (-13 to 149°F) | |
| Dimensions (L x W x H) | 35 x 25 x 23 cm (14" x 10" x 9 1/8") | |
| Shipping weight | 10 kg (22 lb) | |

[‡]See page 194 for an explanation of IP ratings.



**Stack up to two I/P Standard pump heads (below, left)
or two I/P Easy-Load pump heads (below, right)
with any I/P tubing formulation.**



FOR THE LATEST...

Masterflex technical resources, see

- [ColeParmer.com](#)
- [Masterflex.com](#)

24-HOUR PROTECTION

The Liqui-Sense® emergency cut-off system protects you from pumping problems 24 hours a day. Detection of a leak or an unusual liquid level in a tank signals the Liqui-Sense controller to turn off your pump and turn on a backup. Please see pages 160–161 for a complete description.



I/P® PUMP HEADS..... 118–125
I/P® TUBING 126–130
I/P® PUMP SYSTEMS..... 146–151

ACCESSORIES..... 160–171

TECHNICAL DATA..... 172–206

I/P® BRUSHLESS PROCESS DRIVE WITH REMOTE I/O

FEATURES/BENEFITS

- ▶ 1/3-hp brushless motor handles challenging applications with minimal maintenance
- ▶ Nonchip epoxy-coated, IP55-rated steel enclosure protects against moisture, chemicals, and dust
- ▶ 1% speed resolution
- ▶ Remote inputs include 4 to 20 mA, 0 to 10 V, start/stop, and reverse
- ▶ Remote outputs include “pump ready” signal and 4 to 20 mA
- ▶ Compact drive is light enough to carry with one hand, but powerful enough to drive two pump heads
- ▶ Easy-to-read LED display
- ▶ Convenient carrying handle allows for easy portability
- ▶ Reversible motor—pump in either direction
- ▶ Control speed via a three-turn potentiometer for quick, easy adjustments
- ▶ Start/stop, change pump direction, or switch between local and remote control using the sealed keypad
- ▶ Motor speed is displayed from 5 to 100% via a digital display
- ▶ Control pump with handheld remote or wash-down foot switch

DRIVE/SPEED CONTROLS

- ▶ Protected power switch located on back of drive
- ▶ Lighted display indicates power is on
- ▶ Control the speed and direction of the flow via the following:
 - ◆ STOP/START
 - ◆ DIRection
 - ◆ SPEED
 - ◆ INT/EXT, INT for internal control; EXT from remote current or voltage control

NOTES

This brushless process drive supplies enough torque to drive two pump heads using any I/P tubing formulation.



I/P brushless process drive 77411-00 with remote input/output control shown with I/P High-performance pump head 77600-62

SETUP

1. Mount pump head(s) and load tubing.
2. Attach any external control connections.
3. Turn drive power on.
4. Select INTERNAL or EXTERNAL operation.
5. Select pump DIRECTION (clockwise or counter-clockwise).
6. Press STOP/START key to begin pumping.
7. Adjust speed to achieve desired flow rate.

SPEED CONTROL/CIRCUITRY

- ▶ Regulate motor speed from 5 to 100% via the analog button (clockwise rotation increases speed), 4 to 20 mA, or 0 to 10 V signal
- ▶ Soft start for starts without power surges
- ▶ Speed not affected by variations in line voltage (VAC) or frequency (Hz)
- ▶ Line filters reduce outside interference
- ▶ Meets UL 508C, CSA C22.2, No. 14, EN61010-1 and EN61326-1 (for CE mark)

REMOTE CONTROL

- ▶ Speed control input: 4 to 20 mA and 0 to 10 V (scaleable)
- ▶ Internal and External START/STOP; External CW/CCW via contact closure
- ▶ Tach output: 4 to 20 mA
- ▶ ±0.5% linearity control
- ▶ ±50 V common mode range
- ▶ 18-pin circular waterproof connection
- ▶ Operate pump via a washdown foot switch; order separately under “Accessories” on page 135

PUMP HEADS ACCEPTED

- ▶ Accepts three different pump head types: Standard, Easy-Load®, or High-Performance

ISO9001:2008
CERTIFIED SUPPLIER



2 year warranty

ORDERING INFORMATION

| Catalog number | rpm | Power (50/60 Hz) |
|-----------------------------|-----------|------------------|
| HL-77411-00 | 33 to 650 | 90 to 260 VAC |

I/P PUMP TUBING

FLOW RATE INFORMATION

Order Masterflex I/P pump tubing separately on pages 126–130.

STANDARD
0.40 to 13 LPM
pages 120–121



EASY-LOAD®
0.20 to 13 LPM
pages 122–123



HIGH-PERFORMANCE
0.40 to 19 LPM
pages 124–125



| Tubing cross sections | I/P Precision pump tubing | | | I/P High-performance Precision pump tubing [†] | | |
|----------------------------|--------------------------------------|--------------------------------------|-------------------------------------|---|-------------------------------------|-------------------------------------|
| | I/P 26 | I/P 73 | I/P 82 | I/P 70 | I/P 88 | I/P 89 |
| Flow range @ 33 to 650 rpm | 0.20 to 4.0 LPM (0.06 to 1.0 GPM) | 0.40 to 8.0 LPM (0.11 to 2.1 GPM) | 0.66 to 13 LPM (0.17 to 3.5 GPM) | 0.40 to 8.0 LPM (0.11 to 2.1 GPM) | 0.66 to 17 LPM (0.17 to 4.5 GPM) | 0.86 to 19 LPM (0.23 to 5.0 GPM) |

[†]Use High-performance Precision tubing with High-Performance pump head only. Flow rates were determined using water at room temperature and with zero back pressure and suction lift.

SPECIFICATIONS for I/P Analog Brushless Process Drive with Remote I/O

| | | |
|-----------------------------------|----------|---|
| Catalog number | | HL-77411-00 |
| Performance Specifications | | |
| Flow capacity | | 0.2 to 19 LPM (0.06 to 5.0 GPM) |
| rpm | | 33 to 650 |
| Number of heads accepted | | 2 |
| Maximum torque | Starting | 678 N-cm (960 oz-in) |
| | Running | 382 N-cm (540 oz-in) |
| Reversible | | Yes |
| External control | Input | 4 to 20 mA, 0 to 10 V; Start/Stop, CW/CCW |
| | Output | 4 to 20 mA; pump ready output; NO and NC contact closures |
| Electrical Specifications | | |
| Voltage/Frequency VAC (50/60 Hz) | | 90 to 130 and 220 to 260, dual-voltage autoselecting |
| Current | | 4.5 A at 115 VAC; 2.6 A at 230 VAC |
| Fuse rating | | 6.3 A / 250 V |
| Motor type | | Continuous-duty, brushless DC |
| Motor size | | 0.25 kW (1/3 hp) |
| Display | | Three-digit, seven-segment LED |
| Motor/speed control type | | Three-turn potentiometer |
| Speed regulation (repeatability) | | ±0.25% |
| Soft start/Electronic brake | | Yes/Yes |
| Physical Specifications | | |
| Housing materials | | Painted steel |
| IP rating [†] | | IP55 |
| Agency listings | | UL, cUL, CE |
| Operating temperature | | 0 to 40°C (32 to 104°F) |
| Storage temperature | | -25 to 65°C (-13 to 149°F) |
| Dimensions (L x W x H) | | 35 x 25 x 23 cm (14" x 10" x 9") |
| Shipping weight | | 10 kg (22 lb) |

[†]See page 194 for an explanation of IP ratings.

ACCESSORIES

[HL-77300-32](#) Remote cable kit; wire to controller/PLC; 8.3-m (25-ft) length.

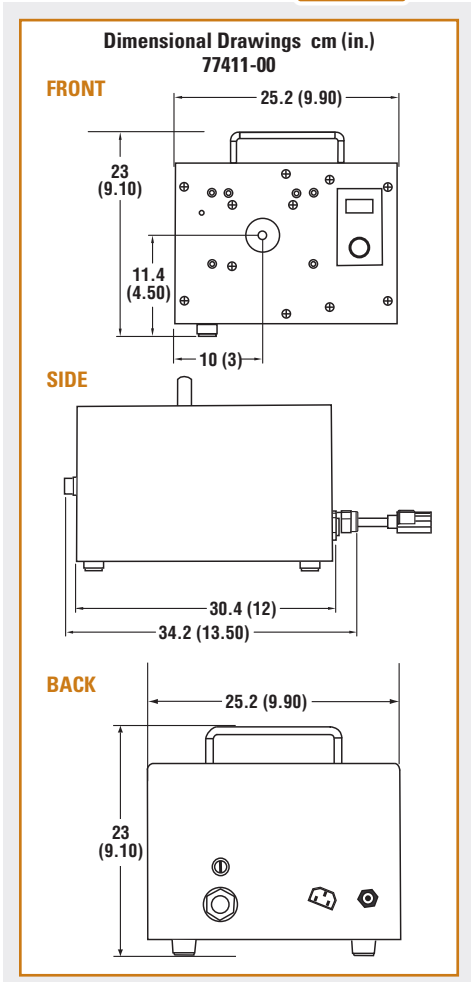
[HL-07595-43](#) Washdown foot switch, momentary start/stop; 1.8-m (6-ft) cable.

[HL-17050-01](#) NIST-traceable calibration for peristaltic pump drive.



Foot switch
07595-43

Stack up to two I/P Standard pump heads (below, left)
or two I/P Easy-Load pump heads (below, right)
with any I/P tubing formulation.



I/P® PUMP HEADS..... 118-125

I/P® TUBING 126-130

I/P® PUMP SYSTEMS..... 146-151

ACCESSORIES..... 160-171

TECHNICAL DATA..... 172-206

I/P® DIGITAL MODULAR DISPENSING DRIVES

FEATURES/BENEFITS

- ▶ Flow rates: 0.0006 to 19 LPM (0.0002 to 5.0 GPM) with I/P tubing; up to 26 LPM (7 GPM) with two Easy-Load® or Standard pump heads
- ▶ Separate drive and controller for convenient placement; a 1.8-m (6-ft) control cable is included. Extend that distance with optional 2.7-m (9-ft) extension cable
- ▶ Four-line graphical LCD shows four operating modes: continuous run, volume dispense, time dispense, and copy dispense
- ▶ Select one of seven languages for programming and operation
- ▶ Set time interval (delay) between dispense cycles for hands-free dispensing
- ▶ Antidrip function ensures dispensing accuracy
- ▶ Batch count lets you set the desired number of batches and displays number of batches completed
- ▶ User-selectable English or metric flow/volume units
- ▶ PWM speed control with tachometer feedback for ±0.1% speed control accuracy
- ▶ Reversible, maintenance-free brushless motor
- ▶ Universal voltage, 90 to 260 VAC autoselect, 50/60 Hz
- ▶ Compatible with all I/P pump heads

DRIVE CONTROLS

- ▶ Protected power switch located on controller
- ▶ Lighted display indicates power is on
- ▶ Simple programming and operation of the following via sealed membrane keypad:
 - ◆ Speed control: 0 to 20 mA, 4 to 20 mA, or 0 to 10 V
 - ◆ Tubing size
 - ◆ Flow rate
 - ◆ Flow direction
 - ◆ Flow units (English or metric)
 - ◆ Motor speed (rpm)
 - ◆ Total volume
 - ◆ Dispense (volume/copy/time)
 - ◆ Batch count
 - ◆ On/off time
 - ◆ Antidrip
 - ◆ Control mode (remote/internal)
 - ◆ Prime
 - ◆ Start/stop
 - ◆ Calibration

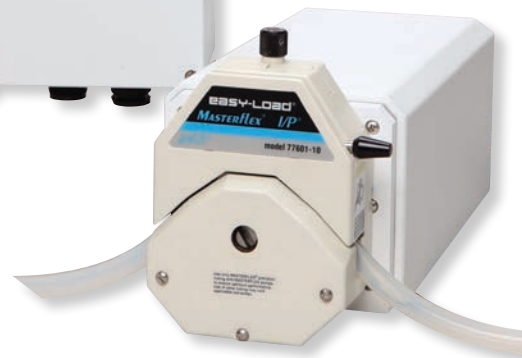


Digital modular drive 07594-00 includes a benchtop controller (drive not shown)



NEW

Digital modular drive 07594-10 includes a wall-mount controller; shown with I/P Easy-Load pump head 77601-10



SETUP

1. Mount pump head(s) and load tubing.
2. Turn drive power on and select language.
3. Select manual (internal) or remote control.
4. Select motor direction.
5. Prime and calibrate pump if required.
6. Set flow rate through keypad.
7. Press START key to begin pumping.

SPEED CONTROL/CIRCUITRY

- ▶ Regulate motor through keypad and menus, 4 to 20 mA, or 0 to 10 V signal
- ▶ Soft start for starts without power surges
- ▶ Speed not affected by variations in power line voltage (VAC) or frequency (Hz)
- ▶ Line filters reduce outside interference
- ▶ Meets UL 61010-1, CSA C22.2, No. 61010-1; For CE mark: EN61010-1 (EU low voltage) and EN61326-1 (EU EMC)

SELECTION CRITERIA

1. Motor rpm / flow rate.
2. Benchtop or washdown, wall-mount controller.

Order pump heads and tubing separately.

CALIBRATION

1. Select TUBING CAL through Main or Setup menu.
2. Set flow direction, tubing size, and flow rate.
3. Prime the tubing.
4. Highlight START and press ENTER, drive will run based on default volume.
5. Press ENTER and adjust CAL VOLUME to the actual measured volume.
6. Press ENTER to SAVE setting and EXIT.

Note: Digital signal processor retains one calibration value for each tubing size, even when power is turned off.

ISO9001:2008
CERTIFIED SUPPLIER



2 year
warranty

07594-10

ORDERING INFORMATION

| Catalog number | rpm | Power (50/60 Hz) |
|---|------------|------------------|
| Benchtop digital modular drive | | |
| HL-07594-00 | 0.1 to 650 | 90 to 260 VAC |
| Digital modular drive with washdown controller | | |
| HL-07594-10 | 0.1 to 650 | 90 to 260 VAC |

I/P PUMP TUBING FLOW RATE INFORMATION

Order Masterflex I/P tubing on pages 126–130.

STANDARD
0.001 to 13 LPM
pages 120–121



EASY-LOAD®
0.001 to 8 LPM
pages 122–123



HIGH-PERFORMANCE
0.001 to 19 LPM
pages 124–125



| Tubing cross sections | I/P Precision pump tubing sizes | | | I/P High-performance Precision pump tubing sizes† | | |
|-----------------------------|---------------------------------------|---------------------------------------|--|---|--|--|
| | I/P 26 | I/P 73 | I/P 82 | I/P 70 | I/P 88 | I/P 89 |
| Flow range @ 0.1 to 650 rpm | 0.001 to 4 LPM (0.0002 to 1.0 GPM) | 0.001 to 8 LPM (0.0002 to 2.1 GPM) | 0.002 to 13 LPM (0.0005 to 3.5 GPM) | 0.001 to 8 LPM (0.0002 to 2.1 GPM) | 0.002 to 17 LPM (0.0005 to 4.5 GPM) | 0.002 to 19 LPM (0.0005 to 5.0 GPM) |

†Use with High-Performance pump head only.

SPECIFICATIONS for I/P Digital Modular Dispensing Drives

| | | |
|-----------------------------------|--|--|
| Catalog number | HL-07594-00 | HL-07594-10 |
| Performance Specifications | | |
| Flow capacity | 0.0006 to 19 LPM (0.0002 to 5 GPM) | |
| rpm | 0.1 to 650 | |
| Number of heads accepted | 2 | |
| Maximum torque | Starting | 1102 N·cm (1560 oz-in) |
| | Running | 367 N·cm (520 oz-in) |
| Reversible | Yes | |
| External control – Input | 0 to 20 mA, 4 to 20 mA, 0 to 10 V; START/STOP, CW/CCW, PRIME via contact closure | |
| External control – Output | 1 to 20 mA, 4 to 20 mA, 0 to 10 V; TTL pulse, drive running | |
| Electrical Specifications | | |
| Voltage/Frequency VAC (Hz) | 90 to 260 (50/60) | |
| Current | 4.5 A at 115 V; 2.6 A at 230 V | |
| Fuse rating | 6.3 A / 250 V | |
| Motor type | Continuous duty, brushless DC | |
| Motor size | 280 W (% hp) | |
| Display | Four-line graphical LCD | |
| Motor/speed control type | PWM with microprocessor | |
| Speed regulation | ±0.1% | |
| Soft start/Electronic brake | Yes/Yes | |
| Physical Specifications | | |
| Housing materials | Drive | Painted steel and aluminum |
| | Controller | ABS plastic housing, coated aluminum chassis |
| IP rating† | Drive | IP33 |
| | Controller | IP66 (NEMA 4X) |
| Agency listings | ETL, cETL, CE | |
| Operating temperature | 0 to 40°C (32 to 104°F) | |
| Storage temperature | –25 to 65°C (–13 to 149°F) | |
| Dimensions (L x W x H) | Drive | 36.2 x 17.8 x 16.5 cm (14¼" x 7" x 6½") |
| | Controller | 26.3 x 21.1 x 14.0 cm (10½" x 8½" x 5½") |
| Shipping weight | 12.6 kg (27.8 lb) | 14.1 kg (30.8 lb) |

†See page 194 for an explanation of IP ratings.

REMOTE CONTROL

Benchtop Modular Drive

- ▶ Remote control via 25-pin (DB25) female connection on back of controller
- ▶ Speed control input: 0 to 20 mA, 4 to 20 mA, and 0 to 10 V (scaleable/invertable)
- ▶ Speed signal output: 0 to 20 mA, 4 to 20 mA, and 0 to 10 V (scaleable/invertable)
- ▶ START/STOP, CW/CCW, PRIME via contact closure
- ▶ Tach output: open collector
- ▶ Motor running indicator
- ▶ Remote cable and foot switch options; order separately under "Accessories"

Modular Drive with Washdown, Wall-Mount Controller

- ▶ Remote control via 31-pin weather-resistant circular connection on bottom of controller
- ▶ Speed control input: 0 to 20 mA, 4 to 20 mA, and 0 to 10 V (scaleable/invertable)
- ▶ Speed signal output: 0 to 20 mA, 4 to 20 mA, and 0 to 10 V (scaleable/invertable)
- ▶ START/STOP, CW/CCW, PRIME via contact closure
- ▶ Tach output: open collector
- ▶ Motor running indicator
- ▶ Remote cable and foot switch options; order separately under "Accessories"

KEYPAD LOCK/UNLOCK FEATURE

- ▶ Lock keypad and protect settings by highlighting the lock icon and pressing ENTER
- ▶ Select LOCK and press ENTER to exit menu
- ▶ Repeat above steps to unlock keypad

ACCESSORIES

For Benchtop Model 07594-00

[HL-77301-82](#) Extension cable, 2.7 m (9 ft), to extend distance between motor and controller.

[HL-07523-92](#) Foot switch, momentary start/stop; 1.8-m (6-ft) cable.

[HL-07523-95](#) Remote control cable assembly, DB25 male connector and 7.9-m (25-ft) cable with stripped wire ends for remote control.

[HL-17050-01](#) NIST-traceable calibration with data for peristaltic pump drive.

For Washdown Model 07594-10

[HL-77301-82](#) Extension cable, 2.7 m (9 ft), to extend distance between motor and controller.

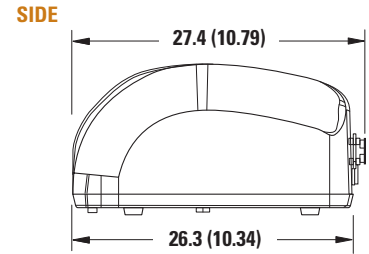
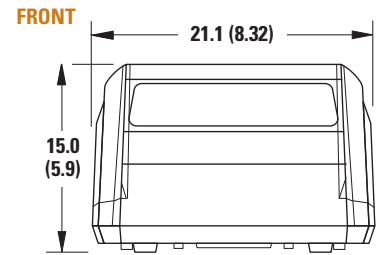
[HL-07575-84](#) Washdown foot switch, momentary start/stop; 1.8-m (6-ft) cable.

[HL-07575-80](#) Remote control cable assembly; 31-pin round water-tight connector and 7.9-m (25-ft) cable with stripped wire ends for remote control, wire to controller/PLC.

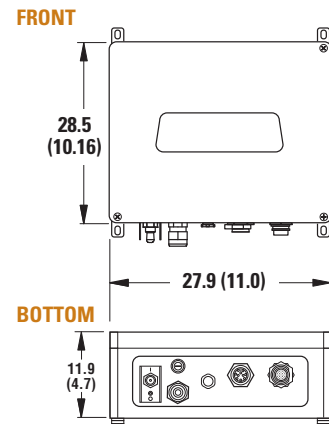
[HL-17050-01](#) NIST-traceable calibration with data for peristaltic pump drive.

Dimensional Drawings cm (in.)

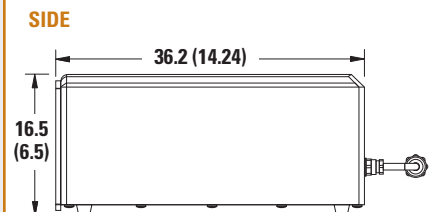
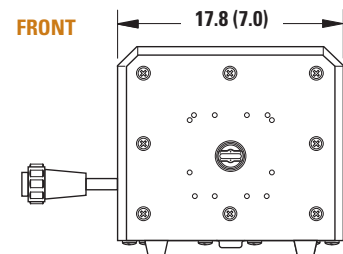
07594-00 Controller



07594-10 Controller



07594-Series Drive



I/P® DIGITAL PROCESS DRIVES

FEATURES/BENEFITS

- ▶ Flow rates: 0.0006 to 19 LPM (0.0002 to 5.0 GPM) with I/P tubing; achieve up to 26 LPM (7 GPM) with two stacked Easy-Load® or Standard pump heads
- ▶ Four-line graphical LCD shows four operating modes: continuous run, volume dispense, time dispense, and copy dispense—interface permits precise setting of desired flow rate or volume without over- or undershoot
- ▶ Select one of seven languages for programming and operation
- ▶ Set time interval (delay) between dispense cycles for hands-free dispensing
- ▶ Antidrip function ensures dispensing accuracy
- ▶ Batch count lets you set the desired number of batches and displays number of batches completed
- ▶ Cumulative volume function (totalizer) tracks total volume dispensed/pumped
- ▶ User-selectable English or metric flow/volume units
- ▶ PWM speed control with tachometer feedback for ±0.1% speed control accuracy
- ▶ Reversible, maintenance-free brushless motor
- ▶ Universal voltage, 90 to 260 VAC autoselect, 50/60 Hz
- ▶ Compatible with all I/P pump heads

DRIVE CONTROLS

- ▶ Protected power switch located on back of drive
- ▶ Lighted display indicates power is on
- ▶ Simple programming and operation of the following via sealed membrane keypad:
 - ◆ Tubing size
 - ◆ Flow rate
 - ◆ Flow direction
 - ◆ Flow units (English or metric)
 - ◆ Motor speed (rpm)
 - ◆ Total volume
 - ◆ Dispense (volume/copy/time)
 - ◆ Batch count
 - ◆ On/off time
 - ◆ Antidrip
 - ◆ Control mode (remote/internal)
 - ◆ Prime
 - ◆ Start/stop
 - ◆ Calibration

SETUP

1. Mount pump head(s) and load tubing.
2. Turn drive power on and select language.
3. Select manual (internal) or remote control.
4. Select motor direction.
5. Prime and calibrate pump if required.
6. Set flow rate through keypad.
7. Press START key to begin pumping.

SPEED CONTROL/CIRCUITRY

- ▶ Regulate motor through keypad and menus, 4 to 20 mA, or 0 to 10 V signal
- ▶ Soft start for starts without power surges
- ▶ Speed not affected by variations in power line voltage (VAC) and frequency (Hz)
- ▶ Line filters reduce outside interference
- ▶ Meets UL 61010-1, CSA C22.2, No. 61010-1; For CE mark: EN61010-1 (EU low voltage) and EN61326-1 (EU EMC)

REMOTE CONTROL

- ▶ Remote control via 31-pin weather-resistant circular connection on back of drive
- ▶ Speed control input: 0 to 20 mA, 4 to 20 mA, and 0 to 10 V (scaleable/invertable)
- ▶ Speed signal output: 0 to 20 mA, 4 to 20 mA, and 0 to 10 V (scaleable/invertable)
- ▶ START/STOP, CW/CCW, PRIME via contact closure
- ▶ Tach output: open collector
- ▶ Motor running indicator
- ▶ Remote cable and foot switch options; order separately under "Accessories"

NEW



I/P digital drive 77420-10 with I/P High-performance pump head 77600-62

SELECTION CRITERIA

1. Motor rpm / flow rate.
2. Housing material: 316 stainless steel or powder-coat steel.

Order pump heads and tubing separately.

ISO9001:2008
CERTIFIED SUPPLIER



2 year warranty

ORDERING INFORMATION

| Catalog number | rpm | Power (50/60 Hz) |
|---|------------|------------------|
| Digital process drive with 316 stainless steel housing | | |
| HL-77420-10 | 0.1 to 650 | 90 to 260 VAC |
| Digital process drive with powder-coat steel housing | | |
| HL-77420-20 | 0.1 to 650 | 90 to 260 VAC |

I/P PUMP TUBING FLOW RATE INFORMATION

Order Masterflex I/P pump tubing separately on pages 126–130.

STANDARD
0.001 to 13 LPM
pages 120–121



EASY-LOAD®
0.001 to 13 LPM
pages 122–123



HIGH-PERFORMANCE
0.001 to 19 LPM
pages 124–125



| Tubing cross sections | I/P Precision pump tubing | | | I/P High-performance Precision pump tubing† | | |
|-----------------------------|--------------------------------------|--------------------------------------|-------------------------------------|---|-------------------------------------|-------------------------------------|
| | | | | | | |
| | I/P 26 | I/P 73 | I/P 82 | I/P 70 | I/P 88 | I/P 89 |
| Flow range @ 0.1 to 650 rpm | 0.001 to 4.0 LPM (0.0002 to 1.0 GPM) | 0.001 to 8.0 LPM (0.0002 to 2.1 GPM) | 0.002 to 13 LPM (0.0005 to 3.5 GPM) | 0.001 to 8.0 LPM (0.0002 to 2.1 GPM) | 0.002 to 17 LPM (0.0005 to 4.5 GPM) | 0.002 to 19 LPM (0.0005 to 5.0 GPM) |

†Use High-performance Precision tubing with High-Performance pump head. Flow rates were determined using water at room temperature and with zero back pressure and zero suction lift.

SPECIFICATIONS for I/P Digital Process Drives

| | | |
|-----------------------------------|--|-----------------------------|
| Catalog number | HL-77420-10 | HL-77420-20 |
| Performance Specifications | | |
| Flow capacity | 0.0006 to 19 LPM (0.0002 to 5 GPM) | |
| rpm | 0.1 to 650 | |
| Number of heads accepted | 2 | |
| Maximum torque | Starting | 1102 N-cm (1560 oz-in) |
| | Running | 367 N-cm (520 oz-in) |
| Reversible | Yes | |
| External control – Input | 0 to 20 mA, 4 to 20 mA, 0 to 10 V; START/STOP, CW/CCW, PRIME via contact closure | |
| External control – Output | 1 to 20 mA, 4 to 20 mA, 0 to 10 V; TTL pulse, drive running | |
| Electrical Specifications | | |
| Voltage/Frequency VAC (Hz) | 90 to 260 (50/60) | |
| Current | 4.5 A at 115 V; 2.5 A at 230 V | |
| Fuse rating | 6.3 A / 250 V | |
| Motor type | Continuous duty, brushless DC | |
| Motor size | 280 W (¾ hp) | |
| Display | Four-line graphical LCD | |
| Motor/speed control type | PWM with microprocessor | |
| Speed regulation | ±0.1% | |
| Soft start/Electronic brake | Yes/Yes | |
| Physical specifications | | |
| Housing materials | 316 stainless steel | Epoxy powder-coat steel |
| IP rating† | IP66 (NEMA 4X) | |
| Agency listings | ETL, cETL, CE | |
| Operating temperature | 0 to 40°C (32 to 104°F) | |
| Storage temperature | -25 to 65°C (-13 to 149°F) | |
| Dimensions (L x W x H) | 42.3 x 28.3 x 32.8 cm (16¾" x 11½" x 13") | |
| Shipping weight | 18.1 kg (40 lb) | |

†See page 194 for an explanation of IP ratings.

CALIBRATION

1. Select TUBING CAL via Main or Setup menu.
2. Set flow direction, tubing size, and flow rate.
3. Prime the tubing.
4. Highlight START and press ENTER, drive will run based on default volume.
5. Press ENTER and adjust CAL VOLUME to the actual measured volume.
6. Press ENTER to SAVE setting and EXIT.

Note: Digital signal processor retains one calibration value for each tubing size, even when power is turned off.

KEYPAD LOCK/UNLOCK FEATURE

- ▶ Lock keypad and protect settings by highlighting the lock icon and pressing ENTER
- ▶ Select LOCK and press ENTER to exit menu
- ▶ Repeat above steps to unlock keypad

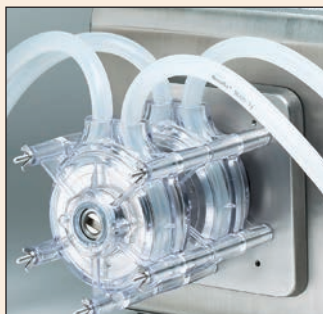
ACCESSORIES

HL-07575-84 Washdown foot switch, momentary start/stop; 1.8-m (6-ft) cable.

HL-07575-80 Remote control cable assembly; 31-pin round water tight connector and 7.9-m (25-ft) cable with stripped wire ends for remote control, wire to controller/PLC.

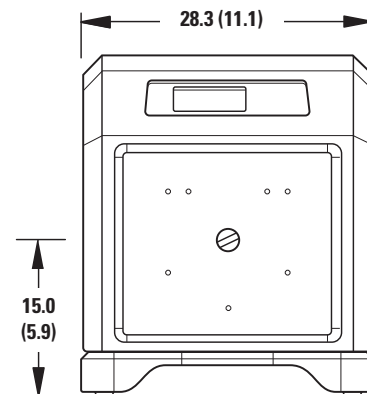
HL-17050-01 NIST-traceable calibration with data for peristaltic pump drive.

The I/P digital console process drive accepts a single I/P High-performance pump head or up to two I/P Standard pump heads (below, left) or two I/P Easy-Load pump heads (below, right) with any I/P tubing formulation.

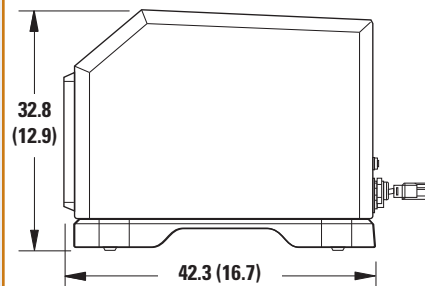


Dimensional Drawings cm (in.) 77420-10, 20

FRONT



SIDE



I/P digital drive 77420-20 with Easy-Load® pump head 77601-10

I/P® PUMP HEADS..... 118–125
I/P® TUBING 126–130
I/P® PUMP SYSTEMS..... 146–151

ACCESSORIES..... 160–171

TECHNICAL DATA..... 172–206

I/P® VARIABLE-SPEED AIR-POWERED DRIVE

FEATURES/BENEFITS

- ▶ Deliver flow rates from 0.6 to 17 LPM
- ▶ Ideal for locations where electrical power may be unsafe or impractical
 - ◆ Intrinsically safe when properly grounded for static electricity
 - ◆ No electric power required
- ▶ Wide flow control range (6.5:1 turndown)
- ▶ Compact, portable console package
- ▶ ATEX Zone 2 rated to EEx II 3 G c II C T6; NEC Class I, Division 2, Groups A, B, C, D, T6

SETUP

1. Install the 0 to 100 psi pressure gauge, pressure regulator with 5-µm filter, automatic lubricator, and muffler (all items included).
2. Connect compressed air line to 1/4" NPT(F) connection on regulator.
3. Mount I/P pump head; load I/P tubing.
4. Turn on compressed air line.

Air hose and compressor are not included.

SPEED CONTROL/CIRCUITRY

- ▶ Adjust using pressure regulator knob

PUMP HEADS ACCEPTED

- ▶ Drive accepts I/P Standard, Easy-Load®, and High-Performance pump heads

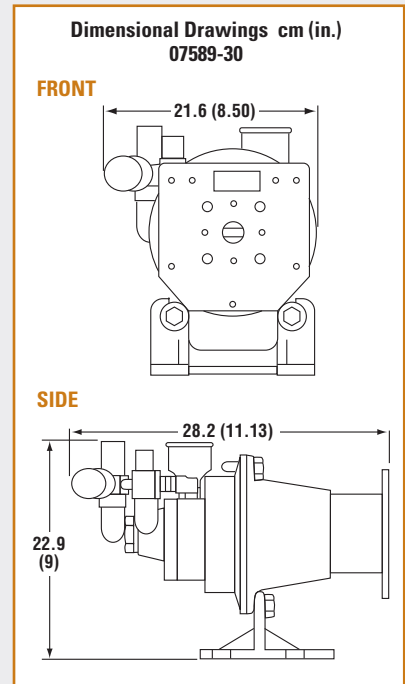


I/P variable-speed air-powered drive 07589-30 shown with I/P Easy-Load® pump head 77601-80

SPECIFICATIONS for I/P Variable-Speed Air-Powered Drive

| | | |
|-----------------------------------|---|------------------------|
| Catalog number | HL-07589-30 | |
| Performance Specifications | | |
| Flow capacity | 0.6 to 19 LPM (0.2 to 5.0 GPM) | |
| rpm | 100 to 650 | |
| Number of heads accepted | 2 | |
| Maximum torque | Starting | 1080 N-cm (1080 oz-in) |
| | Running | 254 N-cm (360 oz-in) |
| Electrical Specifications | | |
| Motor type | Rotary vane air motor | |
| Motor size | 560 W (¾ hp) | |
| Speed regulation (repeatability) | ±10% | |
| Physical Specifications | | |
| Housing material | Painted steel | |
| IP rating† | IP34 | |
| Agency listings | CE | |
| Operating temperature | 0 to 40°C (32 to 104°F) | |
| Storage temperature | -25 to 65°C (-13 to 149°F) | |
| Dimensions (L x W x H) | 28.2 x 21.6 x 22.9 cm (11½" x 8½" x 9") | |
| Shipping weight | 9.6 kg (21 lb) | |

†See page 194 for an explanation of IP ratings.



ORDERING INFORMATION

| Catalog number | rpm | Power |
|-----------------------------|------------|---|
| HL-07589-30 | 100 to 650 | 0.08 to 0.7 m³/min (3 to 25 cfm) @ 1.4 to 6.9 bar (20 to 100 psi) |

I/P PUMP TUBING FLOW RATE INFORMATION

Order Masterflex I/P tubing on pages 126–130.

STANDARD
1.2 to 13 LPM
pages 120–121



EASY-LOAD®
0.6 to 13 LPM
pages 122–123



HIGH-PERFORMANCE
1.2 to 19 LPM
pages 124–125



| Tubing cross sections | I/P Precision pump tubing sizes | | | I/P High-performance Precision pump tubing sizes† | | |
|-----------------------------|---------------------------------|-------------------------------|------------------------------|---|--------------------------------|--------------------------------|
| | I/P 26 | I/P 73 | I/P 82 | I/P 70 | I/P 88 | I/P 89 |
| Flow range @ 100 to 650 rpm | 0.6 to 4 LPM (0.2 to 1.1 GPM) | 1.2 to 8 LPM (0.3 to 2.1 GPM) | 2 to 13 LPM (0.5 to 3.5 GPM) | 1.2 to 8 LPM (0.3 to 2.1 GPM) | 2.5 to 17 LPM (0.5 to 4.5 GPM) | 2.6 to 19 LPM (0.7 to 5.0 GPM) |

†Use high-performance Precision tubing with High-Performance pump head only.



I/P[®] FIXED-SPEED DRIVES

FEATURES/BENEFITS

- ▶ Flow rates: 0.5 to 14 LPM (0.1 to 3.6 GPM) depending on drive model, pump head, and tubing size selected
- ▶ IP55 rated for excellent protection from dust and water in harsh process or manufacturing environments
- ▶ Easy to clean—just hose down after use
- ▶ Combination CW/OFF/CCW switch; purge before or after pumping, pump in either direction
- ▶ Accept I/P Standard, Easy-Load[®], or High-Performance pump heads for wide flow range; stack two Standard or Easy-Load heads to double flow
- ▶ Easily configure for up to four channels of flow with multichannel pump systems (see page 150)

DRIVE CONTROLS

- ▶ Protected fused power switch located on side of drive

SETUP

1. Mount pump head(s) and load tubing.
2. Select CW or CCW motor direction.
3. Switch pump on.

SPEED CONTROL/CIRCUITRY

- ▶ Fixed-speed drives; direction of rotation control only
- ▶ Meets UL 778, CSA C22.2 No. 108-01, EN61010-1 (for CE mark)



ORDERING INFORMATION

| Catalog number | rpm | Power |
|-----------------------------|-----|----------------|
| HL-07588-60 | 100 | 115 VAC, 60 Hz |
| HL-07588-65 | 83 | 230 VAC, 50 Hz |
| HL-07588-30 | 540 | 115 VAC, 60 Hz |
| HL-07588-35 | 450 | 230 VAC, 50 Hz |

ACCESSORIES

[HL-17050-01](#) NIST-traceable calibration for peristaltic pump drive.

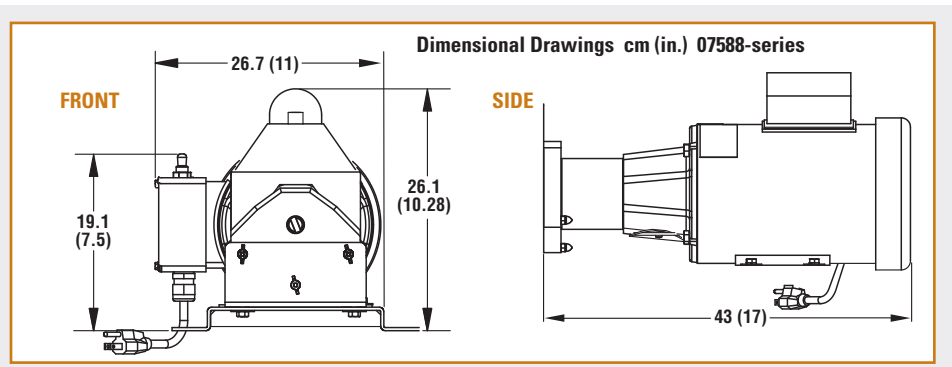


I/P fixed-speed drive 07588-60 shown with I/P High-Performance pump head 77600-62

SPECIFICATIONS for I/P Fixed-Speed Drives

| Catalog number | HL-07588-60 | HL-07588-65 | HL-07588-30 | HL-07588-35 |
|---|---|---------------------------------|----------------------------------|----------------------------------|
| Performance Specifications | | | | |
| Flow capacity, depending on tubing size | 0.6 to 2.6 LPM (0.2 to 0.7 GPM) | 0.5 to 2.2 LPM (0.1 to 0.6 GPM) | 3.3 to 14.1 LPM (0.8 to 3.6 GPM) | 2.8 to 11.8 LPM (0.7 to 3.0 GPM) |
| rpm | 100 | 83 | 540 | 450 |
| Number of heads accepted | 2 | | 2 | |
| Maximum torque | Starting | 922 N-cm (1306 oz-in) | | 723 N-cm (1024 oz-in) |
| | Running | 836 N-cm (1184 oz-in) | | 633 N-cm (896 oz-in) |
| Reversible | Yes | | | |
| Electrical Specifications | | | | |
| Voltage/Frequency VAC (Hz) | 90 to 130 (60) | 190 to 260 (50) | 90 to 130 (60) | 190 to 260 (50) |
| Current | 8 A at 115 VAC | 4 A at 230 VAC | 8 A at 115 VAC | 4 A at 230 VAC |
| Motor type | Continuous-duty, TEFC, brushless AC (induction) | | | |
| Motor size | 0.37 kW (½ hp) | | | |
| Motor/speed control type | Fixed speed | | | |
| Physical Specifications | | | | |
| Housing materials | Painted steel | | | |
| IP rating† | IP55 | | | |
| Agency listings | UL, CSA | CE | UL, CSA | CE |
| Operating temperature | 0 to 40°C (32 to 104°F) | | | |
| Storage temperature | -25 to 65°C (-13 to 149°F) | | | |
| Dimensions (L x W x H) | 43 x 26.7 x 26.1 cm (17" x 11" x 10¼") | | | |
| Shipping weight | 19 kg (42 lb) | | | |

†See page 194 for an explanation of IP ratings.



I/P PUMP TUBING FLOW RATE INFORMATION

Order Masterflex I/P tubing on pages 126–130.

| | I/P Precision pump tubing | | | I/P High-performance Precision pump tubing | | |
|---------------------|---------------------------|-------------------|--------------------|--|--------------------|--------------------|
| | I/P 26 | I/P 73 | I/P 82 | I/P 70 | I/P 88 | I/P 89 |
| Flow rate @ 83 rpm | 0.5 LPM (0.1 GPM) | 1.0 LPM (0.3 GPM) | 1.7 LPM (0.5 GPM) | 1.0 LPM (0.3 GPM) | 1.7 LPM (0.5 GPM) | 2.2 LPM (0.6 GPM) |
| Flow rate @ 100 rpm | 0.6 LPM (0.2 GPM) | 1.3 LPM (0.3 GPM) | 2.0 LPM (0.5 GPM) | 1.3 LPM (0.3 GPM) | 2.0 LPM (0.5 GPM) | 2.6 LPM (0.7 GPM) |
| Flow rate @ 450 rpm | 2.6 LPM (0.7 GPM) | 5.7 LPM (1.5 GPM) | 9.2 LPM (2.4 GPM) | 5.7 LPM (1.5 GPM) | 9.2 LPM (2.4 GPM) | 11.8 LPM (3.0 GPM) |
| Flow rate @ 540 rpm | 3.2 LPM (0.8 GPM) | 6.8 LPM (1.8 GPM) | 11.0 LPM (2.9 GPM) | 6.8 LPM (1.8 GPM) | 11.0 LPM (2.9 GPM) | 14.1 LPM (3.6 GPM) |

I/P® VARIABLE-SPEED HAZARDOUS-DUTY DRIVE

FEATURES/BENEFITS

- ▶ Flow rates from 0.06 to 11.5 LPM* (0.6 to 2500 mL/min using L/S® pump heads)
- ▶ 115 VAC motor: UL-listed for Class 1, Groups C and D, Division 1 hazardous locations
- ▶ Ideal for areas that require special electrical precautions

SETUP

1. Mount L/S or I/P pump head to mounting plate.
2. Load Masterflex L/S or I/P tubing.
3. Turn pump on.

Power switch and line cord are not included.

SPEED CONTROL/CIRCUITRY

- ▶ Mechanical speed control (zero-max) with lever
- ▶ Locking knob to maintain speed control

PUMP HEADS ACCEPTED

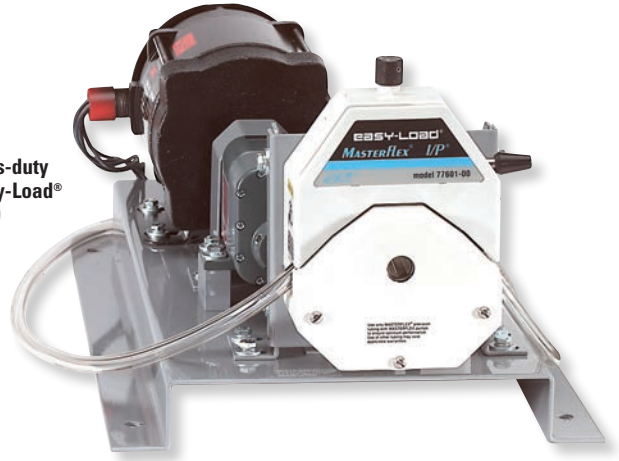
- ▶ Drive accepts 11 different pump heads:
 - ◆ I/P pump heads: Standard, Easy-Load®, High-Performance
 - ◆ L/S pump heads: Standard, Easy-Load 3, Easy-Load II, Easy-Load, High-Performance, PTFE-Tubing, Multichannel Cartridge, PTFE-Diaphragm
- ▶ For flow rate information using L/S pump heads, see page 102

ORDERING INFORMATION

| Catalog number | rpm | Power |
|-----------------------------|-----------|----------------|
| HL-07583-50 | 10 to 430 | 115 VAC, 60 Hz |



Variable-speed hazardous-duty drive 07583-50 with I/P Easy-Load® pump head 77601-00



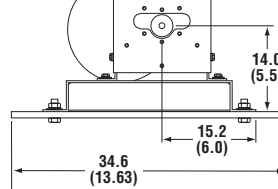
SPECIFICATIONS for I/P Variable-Speed Hazardous-Duty Drive

| | |
|-----------------------------------|---|
| Catalog number | HL-07583-50 |
| Performance Specifications | |
| Flow capacity† | 0.06 to 11.5 LPM (0.02 to 3.0 GPM) |
| rpm | 10 to 430 |
| Number of heads accepted | 2 |
| Maximum running torque | 191 N·cm (270 oz-in) |
| Reversible | No (CCW from front) |
| Electrical Specifications | |
| Voltage/Frequency VAC (Hz) | 115 (60) |
| Current | 4.7 A |
| Motor type | 1725 rpm AC |
| Motor size | 190 W (¼ hp) |
| Motor/speed control type | Mechanical (zero-max) with lever |
| Physical Specifications | |
| Housing materials | Painted steel |
| IP rating‡ | IP21 |
| Dimensions (L x W x H) | 56.0 x 34.6 x 22.3 cm (22¼" x 13⅝" x 8¾") |
| Operating temperature | 0 to 40°C (32 to 104°F) |
| Storage temperature | -25 to 65°C (-13 to 149°F) |
| Shipping weight | 26.6 kg (58.6 lb) |

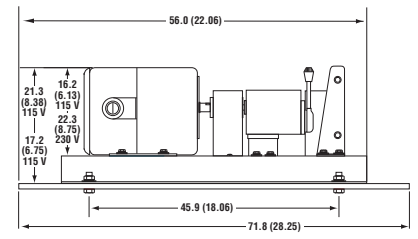
†Depending on drive rpm and tubing size. ‡See page 194 for an explanation of IP ratings.

Dimensional Drawings cm (in.)

FRONT



SIDE



I/P PUMP TUBING FLOW RATE INFORMATION

Order Masterflex I/P pump tubing on pages 126–130.

STANDARD
0.12 to 8.8 LPM
pages 120–121



EASY-LOAD®
0.06 to 8.8 LPM
pages 122–123



HIGH-PERFORMANCE
0.12 to 11.5 LPM
pages 124–125



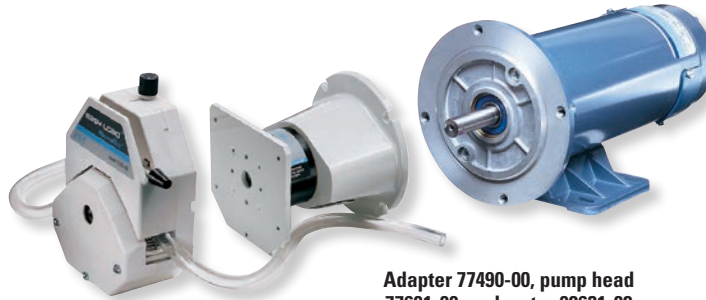
| Motor rpm range | I/P Precision pump tubing | | | I/P High-performance Precision pump tubing†† | | |
|-----------------|--------------------------------------|--------------------------------------|--------------------------------------|--|--------------------------------------|---------------------------------------|
| | I/P 26 | I/P 73 | I/P 82 | I/P 70 | I/P 88 | I/P 89 |
| 10 to 430 | 0.06 to 2.6 LPM (0.02 to 0.7 GPM) | 0.12 to 5.3 LPM (0.03 to 1.4 GPM) | 0.20 to 8.8 LPM (0.05 to 2.3 GPM) | 0.12 to 5.3 LPM (0.03 to 1.4 GPM) | 0.20 to 8.8 LPM (0.05 to 2.3 GPM) | 0.26 to 11.5 LPM (0.07 to 3.0 GPM) |

††Use with High-Performance pump head only.

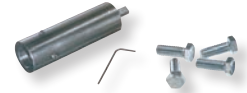
I/P® NEMA TYPE 56C PUMP HEAD ADAPTERS

FEATURES/BENEFITS

- Deliver flow rates from 0.12 to 17 LPM with Masterflex® I/P pump heads
- Attach your own motor to meet hazardous-duty requirements, washdown necessity, or your unique needs
- Compact, in-line design
- IP34 rated—maintain integrity of your motor rating up to IP34
- Use one or two I/P pump heads; stacking two heads lets you pump two different fluids simultaneously



Adapters include the hardware shown below.



Adapter 77490-00, pump head 77601-00, and motor 02631-02 sold separately

SELECTION CRITERIA

- Determine flow rate/gear ratio required. (Select a gear ratio to keep pump head rpm from exceeding 650 rpm.)

To calculate nominal flow rate:

$$\frac{\text{motor rpm}}{\text{gear ratio}} \times \text{flow per revolution} = \text{flow rate}$$

SETUP

- Slide shaft adapter over motor shaft and tighten set screws with hex wrench.
- Position housing over shaft adapter.
- Attach housing to motor with four bolts (supplied).
- Mount pump head and load I/P tubing.
- Turn pump on.

PUMP HEADS ACCEPTED

- Accepts three Masterflex I/P pump head types: Standard, Easy-Load®, and High-Performance

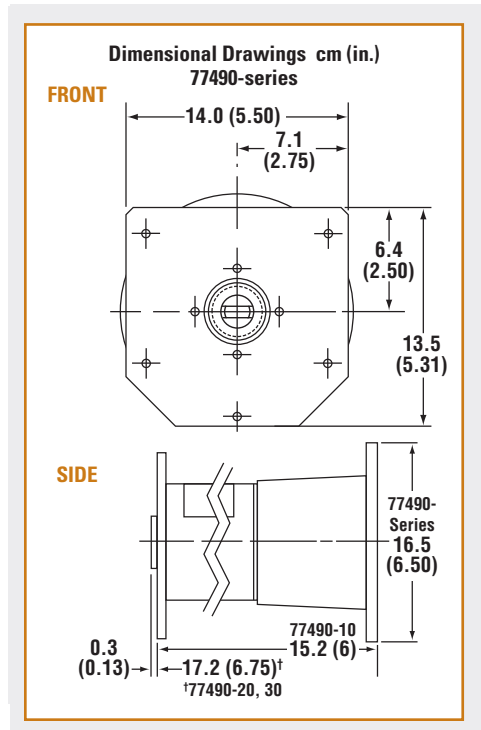
MOTOR SPECIFICATIONS

- Order minimum ¼-hp (180-W) motor
- Go to www.coleparmer.com/motors for additional motor options and for VFD controllers to vary the speed of the motors listed below right
- Select fixed or variable-speed; TEFC (IP44) washdown (IP56), or hazardous-duty motor; 50, 60, or 50/60 Hz

SPECIFICATIONS for I/P Pump Head Adapters

| | |
|-----------------------------------|---|
| Catalog number | HL-77490-00 , -10 , -20 , -30 |
| Performance Specifications | |
| Number of heads accepted | Up to 2 |
| Physical Specifications | |
| Construction material | Painted aluminum |
| IP rating† | IP34 with gasket (included) mounted to motor |
| Dimensions (L x W x H) | 17.2 x 16.5 x 16.5 cm (6¾" x 6½" x 6½") |
| Operating temperature | 0 to 40°C (32 to 104°F) |
| Storage temperature | -25 to 65°C (-13 to 149°F) |
| Shipping weight | 1.8 kg (4 lb) |

†See page 194 for an explanation of IP ratings.



ORDERING INFORMATION

| Catalog number | Gear ratio | Max motor rpm | Max torque kg-cm (oz-in.) |
|-----------------------------|------------|---------------|---------------------------|
| HL-77490-00 | 3.1:1 | 2015 | 35 (480) |
| HL-77490-10 | 4.8:1 | 3120 | |
| HL-77490-20 | 9.7:1 | 3600 | |
| HL-77490-30 | 17.8:1 | 4800 | |

DC MOTORS WITH 56C FRAME

| Cat. no. | hp | Wattage | rpm | Type† | Voltage | IP rating† | Overall dimensions (L x W x H) |
|-----------------------------|----|---------|------|-------|---------|------------|--|
| HL-02631-02 | ½ | 0.37 kW | 1800 | TENV | 90 VDC | IP44 | 28.3 x 16.5 x 17.1 cm (11¼" x 6½" x 6¾") |
| HL-02631-06 | | | | XPRF | 90 VDC | IP55 | 31.5 x 16.5 x 17.1 cm (13¾" x 6½" x 6¾") |
| HL-02631-52 | | | | WDN | 90 VDC | IP56 | 31.1 x 16.5 x 17.5 cm (12¼" x 6½" x 6¾") |

†TENV—Totally enclosed, nonventilating TEFC—Totally enclosed, fan-cooled XPRF—Explosion-proof WDN—Washdown †See page 194 for an explanation of IP ratings.

I/P PUMP TUBING FLOW RATE INFORMATION

Order Masterflex I/P pump tubing separately on pages 126-130.

| Recommended motor rpm limits | Adapter gear ratio | Pump head rpm | I/P Precision tubing | | | I/P High-performance Precision tubing | | |
|------------------------------|--------------------|---------------|-----------------------------------|----------------------------------|---------------------------------|---------------------------------------|-----------------------------------|-----------------------------------|
| | | | I/P 26 | I/P 73 | I/P 82 | I/P 70 | I/P 88 | I/P 89 |
| Flow per revolution | | 1 | 0.006 (0.002) | 0.012 (0.003) | 0.020 (0.005) | 0.012 (0.003) | 0.02 (0.005) | 0.026 (0.007) |
| 62 to 2015 | 3.1:1 | 20 to 650 | 0.12 to 4.0 LPM (0.03 to 1.0 GPM) | 0.2 to 8 LPM (0.05 to 2.1 GPM) | 0.4 to 13 LPM (0.1 to 3.5 GPM) | 0.26 to 8 LPM (0.07 to 2.1 GPM) | 0.40 to 13 LPM (0.10 to 3.41 GPM) | 0.52 to 17 LPM (0.14 to 4.1 GPM) |
| 96 to 3120 | 4.8:1 | 20 to 650 | 0.12 to 4.0 LPM (0.03 to 1.0 GPM) | 0.2 to 8 LPM (0.05 to 2.1 GPM) | 0.4 to 13 LPM (0.1 to 3.5 GPM) | 0.26 to 8 LPM (0.07 to 2.1 GPM) | 0.40 to 13 LPM (0.10 to 3.41 GPM) | 0.52 to 17 LPM (0.14 to 4.1 GPM) |
| 194 to 3450 | 9.7:1 | 20 to 356 | 0.12 to 2.2 LPM (0.03 to 0.6 GPM) | 0.2 to 4.4 LPM (0.05 to 1.2 GPM) | 0.4 to 7.0 LPM (0.1 to 1.9 GPM) | 0.26 to 4.6 LPM (0.07 to 1.2 GPM) | 0.40 to 7.1 LPM (0.10 to 1.9 GPM) | 0.52 to 9.3 LPM (0.14 to 2.5 GPM) |
| 356 to 3450 | 17.8:1 | 20 to 194 | 0.12 to 1.2 LPM (0.03 to 0.3 GPM) | 0.2 to 2.4 LPM (0.05 to 0.6 GPM) | 0.4 to 4.0 LPM (0.1 to 1.1 GPM) | 0.26 to 2.5 LPM (0.07 to 0.66 GPM) | 0.40 to 3.9 LPM (0.10 to 1.0 GPM) | 0.52 to 5.0 LPM (0.14 to 1.3 GPM) |

Note: Flow ranges are approximate—calculated under the following conditions: 0 psig at inlet and outlet; water temperature at 22°C (72°F). Flow rates in parentheses obtainable only with High-Performance pump head.

I/P® MODULAR PUMP

APPLICATIONS

- ▶ Printing
- ▶ Laboratory research
- ▶ Polishing/lapping
- ▶ Chemical recirculation
- ▶ Sterile fluid transfer
- ▶ Pumping from 55-gallon drums
- ▶ Filtration

BENEFITS

- ▶ Modular format lets you separate drive and controller for convenient placement; a 1.8-m (6-ft) control cable is included. Extend that distance with optional 2.7-m (9-ft) extension cable
- ▶ Three-digit LED shows motor speed (rpm)—confirm speed setting at a glance
- ▶ Reversible motor—easily reverse direction of flow to purge or prime tubing
- ▶ Remote control via 9-pin (DB9) female connection on back of controller; control speed, direction, start/stop

FEATURES

- ▶ ½-hp continuous-duty drive
- ▶ ±0.25% drive speed accuracy
- ▶ Motor/controller connected by a 1.8-m (6-ft) cable



77962-20



SPECIFICATIONS & ORDERING INFORMATION

| Catalog number | Flow range [†] (LPM) | Pump head included | Tubing included | Tubing sizes accepted | Drive included | Drive speed range (rpm) | Drive IP rating | Power |
|-----------------------------|-------------------------------|-------------------------|--|------------------------|----------------|-------------------------|-----------------|---|
| HL-77962-20 | 0.06 to 8.0 | I/P Easy-Load® 77601-10 | C-Flex® ULTRA I/P 73 06434-73; 3 m (10 ft) | I/P 26, I/P 73, I/P 82 | 07591-20 | 6 to 650 | IP33 | 90 to 130 VAC, 4.4 A; and 190 to 260 VAC, 2.2 A |

[†]Flow range with included tubing; extend the flow range of these systems with additional sizes of tubing; order on pages 126–130.

[HL-07557-51](#) Extension cable, 2.7 m (9 ft) for benchtop modular drive; extend distance between motor and controller.

[HL-77595-35](#) Foot switch, DB9 male with 1.8-m (6-ft) cable.

[HL-07595-47](#) Cable assembly, DB9 male connector and 7.9-m (25-ft) cable with stripped wire terminal ends. Use for remote control.

[HL-17050-01](#) NIST-traceable calibration with data for peristaltic pump drive.

COMPLETE SYSTEM INCLUDES:

PUMP HEAD + TUBING + DRIVE

I/P® MODULAR PUMP WITH WALL-MOUNT CONTROLLER

APPLICATIONS

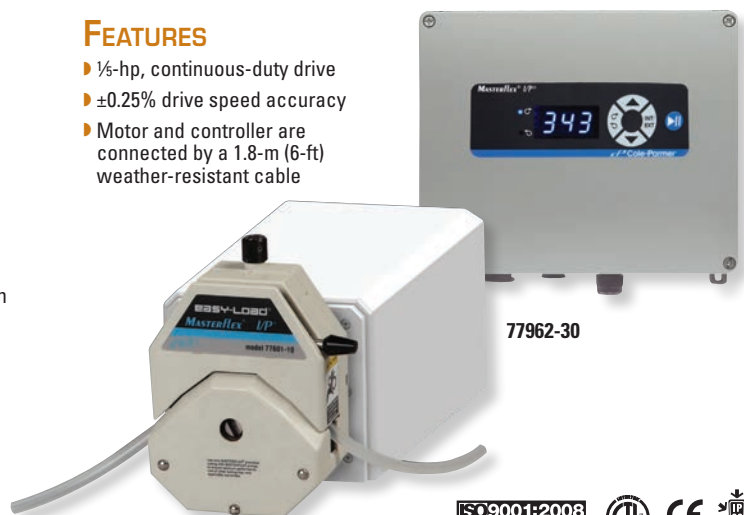
- ▶ pH control
- ▶ Process control
- ▶ Food applications
- ▶ Printing
- ▶ Dispensing culture media
- ▶ Dye dispensing
- ▶ Plating chemical pump
- ▶ Corrosive fluid transfer
- ▶ Slurry pump

BENEFITS

- ▶ Modular format lets you separate drive and controller for convenient placement; a 1.8-m (6-ft) control cable is included. Extend that distance with optional 2.7 m (9 ft) extension cable
- ▶ Drive and controller are IP66, NEMA 4X rated for use in washdown environments
- ▶ Three-digit LED shows motor speed (rpm)—confirm speed setting at a glance
- ▶ Remote control via 18-pin weather-resistant connection on bottom of controller; control speed, direction, start/stop

FEATURES

- ▶ ½-hp, continuous-duty drive
- ▶ ±0.25% drive speed accuracy
- ▶ Motor and controller are connected by a 1.8-m (6-ft) weather-resistant cable



77962-30



SPECIFICATIONS & ORDERING INFORMATION

| Catalog number | Flow range [†] (LPM) | Pump head included | Tubing included | Tubing sizes accepted | Drive included | Drive speed range (rpm) | Drive IP rating | Power |
|-----------------------------|-------------------------------|-------------------------|--|------------------------|----------------|-------------------------|-----------------|---|
| HL-77962-30 | 0.06 to 8.0 | I/P Easy-Load® 77601-10 | C-Flex® ULTRA I/P 73 06434-73; 3 m (10 ft) | I/P 26, I/P 73, I/P 82 | 07591-30 | 6 to 650 | IP66 | 90 to 130 VAC, 4.4 A; and 190 to 260 VAC, 2.2 A |

[†]Flow range with included tubing; extend the flow range of these systems with additional sizes of tubing; order on pages 126–130.

[HL-07557-51](#) Extension cable, 2.7 m (9 ft) for washdown modular drive; extend distance between motor and controller.

[HL-07595-43](#) Washdown foot switch, 18-pin round with 1.8-m (6-ft) cable.

[HL-77300-32](#) Cable assembly, 18-pin round connector and 7.9-m (25-ft) cable with stripped wire terminal ends. Use for remote control.

[HL-17050-01](#) NIST-traceable calibration with data for peristaltic pump drive.

I/P® PROCESS PUMP

APPLICATIONS

- ▶ Media transfer
- ▶ Filling/emptying large carboys and bags
- ▶ Pumping dyes and pigments
- ▶ Pumping fermentation chemicals
- ▶ Sewage and sludge sampling

BENEFITS

- ▶ Brushless, maintenance-free motor
- ▶ Light enough to carry with one hand
- ▶ Displays percent speed from 5 to 100% for repeatable control
- ▶ Sealed, IP55-rated housing sprays or wipes down for easy cleaning
- ▶ Powerful enough to drive two Easy-Load® pump heads for twice the flow rate

FEATURES

- ▶ 1/3-hp, continuous-duty brushless drive
- ▶ ±0.25% PWM speed control accuracy
- ▶ Precise, three-turn speed control
- ▶ Sealed membrane keypad



77963-10

SPECIFICATIONS & ORDERING INFORMATION



| Catalog number | Flow range† (LPM) | Pump head included | Tubing included | Tubing sizes accepted | Drive included | Drive speed range (rpm) | Drive IP rating | Power (50/60 Hz) |
|-----------------------------|-------------------|----------------------------------|---|---------------------------|----------------|-------------------------|-----------------|--|
| HL-77963-10 | 0.4 to 8.0 | I/P Easy-Load® 77601-10 | C-Flex® ULTRA I/P 73 06434-73; 3 m (10 ft) | I/P 26, I/P 73, I/P 82 | 77410-10 | 33 to 650 | IP55 | 90 to 130 VAC, 4.5 A; and 220 to 260 VAC, 2.6 A |
| HL-77963-20 | 0.7 to 17.0 | I/P High-Performance 77600-62 | Tygon® E-LFL I/P 88 06440-88; 1 m (3 ft) | I/P 70, I/P 88, I/P 89 | | | | |

†Flow range with included tubing; extend the flow range of these systems with additional sizes of tubing; order on pages 126–130.

[HL-17050-01](#) NIST-traceable calibration for peristaltic pump drive.

I/P® PROCESS PUMPS WITH REMOTE CAPABILITY

APPLICATIONS

- ▶ Purification/filtration/media transfer
- ▶ Automated process
- ▶ Food and pharma process pump
- ▶ Pumping anti-foaming agents
- ▶ Chemical feed and metering
- ▶ Wastewater process pump

BENEFITS

- ▶ Remote control capability via fluid-resistant I/O connector on back of drive (requires 77300-32 remote cable kit—order separately)
- ▶ Analog outputs include “pump ready” signal (order 77300-32 remote cable kit below)
- ▶ Displays percent speed from 5 to 100% for precise, repeatable control
- ▶ Sealed, IP55-rated housing sprays or wipes down for easy cleaning
- ▶ Brushless, maintenance-free motor

FEATURES

- ▶ 1/3-hp, continuous-duty brushless drive
- ▶ ±0.25% PWM speed control accuracy
- ▶ Sealed membrane keypad



77965-10

SPECIFICATIONS & ORDERING INFORMATION



| Catalog number | Flow range† (LPM) | Pump head included | Tubing included | Tubing sizes accepted | Drive included | Drive speed range (rpm) | Drive IP rating | Power (50/60 Hz) |
|-----------------------------|-------------------|----------------------------------|---|---------------------------|----------------|-------------------------|-----------------|--|
| HL-77965-00 | 0.4 to 8.0 | I/P Easy-Load® 77601-10 | C-Flex® ULTRA I/P 73 06434-73; 3 m (10 ft) | I/P 26, I/P 73, I/P 82 | 77411-00 | 33 to 650 | IP55 | 90 to 130 VAC, 4.5 A; and 220 to 260 VAC, 2.6 A |
| HL-77965-10 | 0.7 to 17.0 | I/P High-Performance 77600-62 | Tygon® E-LFL I/P 88 06440-88; 1 m (3 ft) | I/P 70, I/P 88, I/P 89 | | | | |

†Flow range with included tubing; extend the flow range of these systems with additional sizes of tubing; order on pages 126–130.

[HL-07595-43](#) Washdown foot switch.

[HL-17050-01](#) NIST-traceable calibration for peristaltic pump drive.

[HL-77300-32](#) Remote cable kit.

I/P® DIGITAL MODULAR PUMP

APPLICATIONS

- ▶ Yogurt dispensing pump
- ▶ Flavor concentrate/food additive dispenser
- ▶ Photochemical dispenser
- ▶ Shampoo dispenser

FEATURES

- ▶ ¾-hp, continuous-duty drive
- ▶ ±0.1% drive speed accuracy
- ▶ Controller/drive connected by a 1.8-m (6-ft) cable



77970-40

BENEFITS

- ▶ Modular format lets you separate drive and controller for convenient placement; a 1.8-m (6-ft) control cable is included. Extend that distance with optional 2.7-m (9-ft) extension cable
- ▶ Four-line graphical LCD shows four operating modes: continuous run, volume dispense, time dispense, and copy dispense
- ▶ Set time interval (delay) between dispense cycles for hands-free dispensing; antidrip function ensures dispensing accuracy
- ▶ Remote control via 25-pin (DB25) female connection on back of controller; control speed, direction, start/stop, and prime

SPECIFICATIONS & ORDERING INFORMATION

| Catalog number | Flow range† (LPM) | Pump head included | Tubing included | Tubing sizes accepted | Drive included | Drive speed range (rpm) | Drive IP rating | Power |
|-----------------------------|-------------------|-------------------------|--|------------------------|----------------|-------------------------|-----------------|---|
| HL-77970-40 | 0.001 to 8.0 | I/P Easy-Load® 77601-10 | C-Flex® ULTRA I/P 73 06434-73; 3 m (10 ft) | I/P 26, I/P 73, I/P 82 | 07594-00 | 0.1 to 650 | IP33 | 90 to 130 VAC, 4.5 A; and 190 to 260 VAC, 2.5 A |

†Flow range with included tubing; extend the flow range of these systems with additional sizes of tubing; order on pages 126–130.

[HL-77301-82](#) Extension cable, 2.7-m (9-ft) for benchtop modular drive; extend distance between motor and controller.

[HL-07523-92](#) Foot switch, momentary start/stop; 1.8-m (6-ft) cable.

[HL-07523-95](#) Cable assembly, DB25 male connector and 7.9-m (25-ft) cable with stripped wire ends for remote control.

[HL-17050-01](#) NIST-traceable calibration with data for peristaltic pump drive.

COMPLETE SYSTEM INCLUDES:

PUMP HEAD + TUBING + DRIVE

I/P® DIGITAL MODULAR PUMP WITH WALL-MOUNT CONTROLLER

APPLICATIONS

- ▶ Transfer cell culture media
- ▶ Flavor concentrate/food additive dispenser
- ▶ Photochemical dispenser

FEATURES

- ▶ ¾-hp, continuous-duty drive
- ▶ ±0.1% drive speed accuracy
- ▶ Controller/drive connected by a 1.8-m (6-ft) cable

BENEFITS

- ▶ Modular format lets you separate drive and controller for convenient placement; a 1.8-m (6-ft) control cable is included. Extend that distance with optional 2.7-m (9-ft) extension cable
- ▶ Drive and controller are IP66, NEMA 4X rated for use in washdown environments
- ▶ Four-line graphical LCD shows four operating modes: continuous run, volume dispense, time dispense, and copy dispense
- ▶ Set time interval (delay) between dispense cycles for hands-free dispensing; antidrip function ensures dispensing accuracy
- ▶ Remote control via 31-pin weather-resistant connection on bottom of controller; control speed, direction, start/stop, and prime



77970-50

SPECIFICATIONS & ORDERING INFORMATION

| Catalog number | Flow range† (LPM) | Pump head included | Tubing included | Tubing sizes accepted | Drive included | Drive speed range (rpm) | Drive IP rating | Power |
|-----------------------------|-------------------|-------------------------|--|------------------------|----------------|-------------------------|-----------------|--|
| HL-77970-50 | 0.001 to 8.0 | I/P Easy-Load® 77601-10 | C-Flex® ULTRA I/P 73 06434-73; 3 m (10 ft) | I/P 26, I/P 73, I/P 82 | 07594-10 | 0.1 to 650 | IP66 | 90 to 130 VAC, 4.5 A; and 190 to 260 VAC, 2.5 A* |

†Flow range with included tubing; extend the flow range of these systems with additional sizes of tubing; order on pages 126–130.

[HL-77301-82](#) Extension cable, 2.7 m (9 ft) for washdown modular drive; extend distance between motor and controller.

[HL-07575-84](#) Washdown foot switch, momentary start/stop; 1.8-m (6-ft) cable.

[HL-07575-80](#) Cable assembly; 31-pin round water-tight connector and cable with stripped wire ends for remote control, 8.3-m (25-ft) length.

[HL-17050-01](#) NIST-traceable calibration with data for peristaltic pump drive.

I/P® DIGITAL PROCESS PUMP

APPLICATIONS

- ▶ Pharma and cosmetics process pump
- ▶ Sanitary food/dairy process pump
- ▶ Automated process pump
- ▶ Dosing/metering additives
- ▶ Bulk media transfer and dispensing
- ▶ Large-volume buffer transfer
- ▶ Pilot scale fermentation

BENEFITS

- ▶ Four-line graphical LCD shows four operating modes: continuous run, volume dispense, time dispense, and copy dispense
- ▶ Brushless motor virtually eliminates maintenance—no motor brushes to replace
- ▶ Programmable dispense interval for automated dispensing
- ▶ Antidrip function ensures dispensing accuracy
- ▶ Batch count lets you set the desired number of batches and displays number of batches completed
- ▶ Programmed calibration ensures flow rate accuracy
- ▶ Sealed housing for easy washdown in process environments; available with either 316 stainless steel or powder-coated steel housing
- ▶ Tach output for precise speed control and feedback

FEATURES

- ▶ 3/4-hp continuous-duty brushless drive
- ▶ ±0.1% PWM speed control accuracy with tach output
- ▶ Analog remote control of speed, start/stop, and direction (order remote accessories below)
- ▶ Sealed membrane keypad with lockout
- ▶ IP66, NEMA 4X rated



77964-20



77964-30

SPECIFICATIONS & ORDERING INFORMATION

ISO9001:2008
CERTIFIED SUPPLIER



| Catalog number | Flow range† (LPM) | Pump head included | Tubing included | Tubing sizes accepted | Drive included | Drive speed range (rpm) | Drive IP rating | Power |
|--|-------------------|-------------------------|--|------------------------|----------------|-------------------------|-----------------|---|
| Digital process pump with 316 stainless steel housing | | | | | | | | |
| HL-77964-20 | 0.001 to 8.0 | I/P Easy-Load® 77601-10 | C-Flex® ULTRA I/P 73 06434-73; 3 m (10 ft) | I/P 26, I/P 73, I/P 82 | 77420-10 | 0.1 to 650 | IP66 | 90 to 130 VAC, 4.5 A; and 190 to 260 VAC, 2.5 A |
| Digital process pump with powder-coat steel housing | | | | | | | | |
| HL-77964-30 | 0.001 to 8.0 | I/P Easy-Load® 77601-10 | C-Flex® ULTRA I/P 73 06434-73; 3 m (10 ft) | I/P 26, I/P 73, I/P 82 | 77420-20 | 0.1 to 650 | IP66 | 90 to 130 VAC, 4.5 A; and 190 to 260 VAC, 2.5 A |

†Flow range with included tubing; extend the flow range of these systems with additional sizes of tubing; order on pages 126–130.

[HL-07575-84](#) Washdown foot switch, momentary start/stop; 1.8-m (6-ft) cable.

[HL-07575-80](#) Cable assembly; 31-pin round water-tight connector and cable with stripped wire ends for remote control, 8.3-m (25-ft) length.

[HL-17050-01](#) NIST-traceable calibration with data for peristaltic pump drive.



FILLER/DISPENSING NOZZLES

- ▶ Maximize the speed, precision, and accuracy of dispensing and filling applications
- ▶ Minimize splashing and dripping when dispensing into narrow- or wide-mouth containers
- ▶ Dimensional tolerances of ±0.05% for assured repeatability

These nozzles combine the ease of plastic components with the accuracy and reliability of a stainless steel tube. Tight dimensional tolerances help to ensure precision in your dispensing applications. Nozzles feature a 316L stainless steel tube and a polycarbonate base with hose barb adapter. Materials comply with FDA, USDA and USP Class VI requirements. All filler nozzles are sterilizable by ethylene oxide, autoclaving, or gamma irradiation.

| Catalog number | Tubing ID |
|-----------------------------|-----------|
| HL-30619-06 | 1/32" |
| HL-30619-01 | 1/16" |
| HL-30619-07 | 1/8" |
| HL-30619-02 | 3/16" |
| HL-30619-08 | 1/4" |
| HL-30619-03 | 5/16" |
| HL-30619-09 | 3/8" |
| HL-30619-04 | 1/2" |
| HL-30619-10 | 5/8" |
| HL-30619-05 | 3/4" |

30619-02



I/P® MULTICHANNEL FIXED-SPEED PUMPS

APPLICATIONS

- ▶ Transferring printing inks and adhesives
- ▶ Pumping dyes in textile manufacture
- ▶ Feeding solutions and additives to multiple process lines
- ▶ Pumping adhesives for envelope manufacture

BENEFITS

- ▶ IP55-rated drive for washdown
- ▶ Reduced noise
- ▶ Minimal downtime and cleanup for fluid or color changeover
- ▶ Reversible motor for line purge or bi-directional pumping
- ▶ Reduced maintenance—lower cost of ownership
- ▶ Low shear, reduced air entrapment, and reduced heat transfer to fluid

FEATURES

- ▶ ½-hp, fixed-speed motor/adaptor
- ▶ ±1% speed control accuracy



FREE TUBING TEST KIT!

Can't find your chemical in the tables?

Request your FREE tubing kit to test compatibility of your chemicals against different tubing formulations. Request item HL-00101-10.

Call or go online to request your FREE test kit today!



SPECIFICATIONS & ORDERING INFORMATION

ISO9001:2008 CERTIFIED SUPPLIER

| Catalog number | Flow range [†] (LPM) | Pump heads included | Tubing included | Tubing sizes accepted | Drive included | Drive speed (rpm) [‡] | Drive IP rating | Power (50/60 Hz) |
|---|-------------------------------|---------------------|-----------------------|-----------------------|----------------|--------------------------------|-----------------|-----------------------|
| A I/P Three-channel fixed-speed pump | | | | | | | | |
| HL-07588-80 | 2.3 per channel | I/P Easy-Load® | C-Flex® ULTRA I/P 73 | I/P 26, I/P 73, | 07588-60 | 180 | IP55 | 90 to 130 VAC, 8.0 A |
| HL-07588-87 | 1.9 per channel | 77601-10 | 06434-73; 3 m (10 ft) | I/P 82 | | 150 | | 190 to 260 VAC, 4.0 A |
| B I/P Four-channel fixed-speed pump | | | | | | | | |
| HL-07588-90 | 2.3 per channel | I/P Easy-Load | C-Flex ULTRA I/P 73 | I/P 26, I/P 73, | 07588-60 | 180 | IP55 | 90 to 130 VAC, 3.0 A |
| HL-07588-97 | 1.9 per channel | 77601-10 | 06434-73; 3 m (10 ft) | I/P 82 | | 150 | | 190 to 260 VAC, 4.0 A |

[†]Flow range with included tubing; extend the flow range of these systems with additional sizes of tubing; order on pages 126–130.

[‡]Speed modified via NEMA adaptor.

24-HOUR PROTECTION!

The Liqui-Sense® emergency cut-off system protects you from pumping problems 24-hours-a-day. Detection of a leak or an unusual liquid level in a tank signals the Liqui-Sense® controller to turn off your pump and turn on a backup. You can even program it to call a specified phone number in the event of a detected problem. The controller measures approximately 21 x 16 x 8 cm (8" x 6¼" x 3"). Please see pages 160–161 for a complete description and ordering information.



I/P® AIR-POWERED PUMPS

APPLICATIONS

- ▶ Transfer of hazardous materials
- ▶ Transfer of printing inks
- ▶ Production fermentation

BENEFITS

- ▶ Safe where electrical power not advisable
- ▶ Operates from your compressor
- ▶ Easy tubing changes
- ▶ High horsepower in a compact size
- ▶ Cooler operation
- ▶ Smooth-starting, low-maintenance motor

FEATURES

- ▶ ¾-hp continuous-duty drive
- ▶ ±10% drive speed accuracy
- ▶ Complete with regulator with 5-µm air filter and ¼" NPT(F) connection, automatic lubricator, 0 to 2 bar (0 to 30 psi) pressure gauge, and muffler.
- ▶ ATEX system 77980-10 is ATEX Zone 2 rated: EEx II 3 G c IIC T6; NEC Class I, Division 2, Groups A, B, C, D, T6



77980-10



SPECIFICATIONS & ORDERING INFORMATION

| Catalog number | Flow range [†] (LPM) | Pump head included | Tubing included | Tubing sizes accepted | Drive included | Drive speed range (rpm) | Drive IP rating | Power |
|--|-------------------------------|-------------------------|--|------------------------|----------------|-------------------------|-----------------|---|
| HL-77980-00 | 1.2 to 8.0 | I/P Easy-Load® 77601-10 | C-Flex® ULTRA I/P 73 06434-73; 3 m (10 ft) | I/P 26, I/P 73, I/P 82 | 07589-30 | 100 to 650 | IP34 | 0.08 to 0.7 m ³ /min (3 to 25 cfm) at 1.4 to 6.9 bar (20 to 100 psi) |
| ATEX Zone 2 rated I/P air-powered pump system | | | | | | | | |
| HL-77980-10 | 1.2 to 8.0 [‡] | I/P Easy-Load 77601-80 | N/A ^{††} | I/P 26, I/P 73, I/P 82 | 07589-30 | 100 to 650 | IP34 | 0.08 to 0.7 m ³ /min (3 to 25 cfm) at 1.4 to 6.9 bar (20 to 100 psi) |

[†]Flow range with included tubing; extend the flow range of these systems with additional sizes of tubing; order on pages 126-130.

[‡]For ATEX pump system, flow rates will depend on tubing size selected.

^{††}ATEX pump systems do not include tubing; select tubing to be compatible with your fluid and the parameters of your application.

Note: For safe operation of Masterflex air-powered pumps, ground pump carefully to protect from static electricity.

COMPLETE SYSTEM INCLUDES:

PUMP HEAD + TUBING + DRIVE

I/P® HAZARDOUS-DUTY PUMP

APPLICATIONS

- ▶ Transfer of chemicals where hazardous vapors are present
- ▶ Transfer of heat-sensitive fluids
- ▶ Production fermentation

BENEFITS

- ▶ Ideal where electricity is unsafe
- ▶ Easy tubing changes
- ▶ Variable-speed for wide flow ranges

FEATURES

- ▶ ¼-hp continuous-duty drive
- ▶ ±10% drive speed accuracy



77981-10



SPECIFICATIONS & ORDERING INFORMATION

| Catalog number | Flow range [†] (LPM) | Pump head included | Tubing included | Tubing sizes accepted | Drive included | Drive speed range (rpm) | Drive IP rating | Power |
|-----------------------------|-------------------------------|-------------------------|--|------------------------|----------------|-------------------------|-----------------|----------------|
| HL-77981-10 | 0.12 to 5.3 | I/P Easy-Load® 77601-10 | C-Flex® ULTRA I/P 73 06434-73; 3 m (10 ft) | I/P 26, I/P 73, I/P 82 | 07583-50 | 10 to 430 | IP21 | 115 VAC, 60 Hz |

[†]Flow range with included tubing; extend the flow range of these systems with additional sizes of tubing; order on pages 126-130.

SELECTION GUIDE FOR B/T® PUMPS

Choose B/T pumps when your application requires high flow rates and rugged dependability. Every B/T pump offers a powerful motor ideal for transfer of viscous or shear-sensitive materials.

FEATURES INCLUDE:

- ▶ A Rapid-Load® occlusion mechanism slides the tubing occlusion bed out of the way for easy tube loading and improved occlusion of the tubing when closed
- ▶ Cast-aluminum housing provides quieter, more rugged operation—epoxy-powder coating resists chemical corrosion
- ▶ Tubing sizes B/T 87 and B/T 91 provide better performance in higher-pressure applications
- ▶ Easy-opening cover swings away to allow for CIP or SIP protocols
- ▶ PerfectPosition™ tubing retention marks indicate the exact length of tubing needed to give the best tubing performance and life
- ▶ Safety interlock shuts the pump down when the head is opened

Watch the VIDEO!

Watch a video tutorial on how to load B/T® pumps.
Masterflex.com/video



HOW TO LOAD YOUR PUMP HEAD



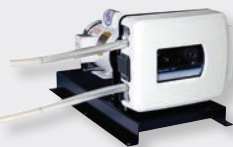
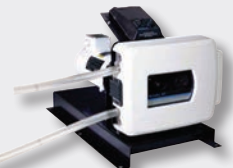

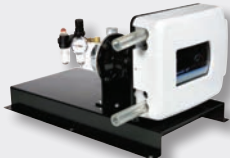

1. Line up PerfectPosition™ tubing retention marks and wrap tubing around the rollers.



2. Secure the tubing in the upper and lower retainers.



3. Close the door and secure the latch.

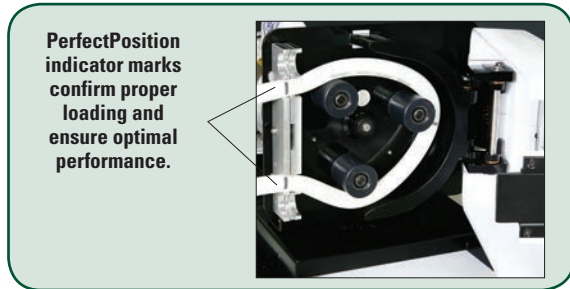
| | Description | Flow range | Fixed speed (rpm) | Variable speed (rpm) | Reversible | Remote control capabilities | Special features | Page number |
|------------------|---|---|-------------------|----------------------|------------|--|---|-------------|
| Analog | FIXED-SPEED | | | | | | | |
| |  | 115 VAC: 17.7 or 42 LPM; (4.7 or 11.1 GPM) 230 VAC: 14.7 or 35 LPM; (3.9 or 9.4 GPM) | 271, 321 | — | ✓ | — | Economical; simple operation; easy setup | 158 |
| Analog | VARIABLE-SPEED | | | | | | | |
| |  | 0.71 to 42 LPM (0.19 to 11.1 GPM) | — | 12 to 321 | ✓ | — | Detachable controller for flexible setup; broad flow range | 154–155 |
| Digital | MODULAR DISPENSING | | | | | | | |
| |  | 0.65 to 42 LPM (0.17 to 11.1 GPM) | — | 11 to 321 | ✓ | Speed, direction, start/stop, prime | Digital dispensing with calibration; separate motor and controller for convenient setup | 156–157 |
| Specialty | AIR-POWERED | | | | | | | |
| |  | 2.1 to 42 LPM (0.55 to 11.1 GPM) | — | 35 to 321 | — | — | Use where electricity is unsafe or impractical. Classified for use in ATEX Zone 2 applications. | 154–155 |
| Specialty | PUMP HEADS | | | | | | | |
| |  | Flow rates and features depend on motor selection | | | | | Allows you to mount the B/T Rapid-Load pump head to your own 56C or IEC72/ISO 71 motors. | |

B/T[®] PERFECTPOSITION[™] PUMP TUBING FOR 77110- AND 77111-SERIES RAPID-LOAD[®] PUMP HEADS

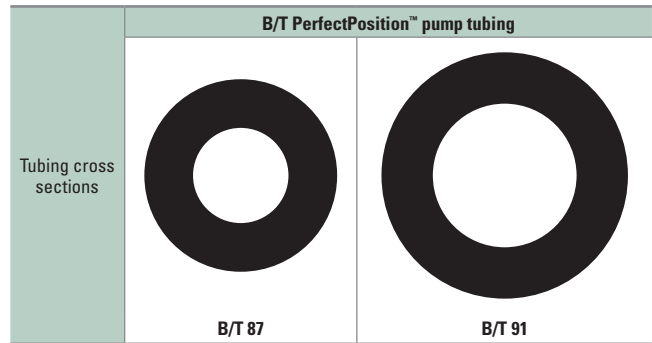
- ▶ Ensure optimal performance from your Masterflex pump
- ▶ PerfectPosition tubing retention marks indicate the exact placement of tubing in the pump head to provide the best performance and life of the tubing
- ▶ Custom extruded to fit 77110-series and 77111-series Masterflex B/T pumps and pump heads
- ▶ Engineered for long life in peristaltic pump applications

These Masterflex B/T tubing sizes 87 and 91 are optimized to provide better performance in higher-pressure applications. Each tubing size is manufactured to extremely close tolerances that match our B/T pump heads. These tight tolerances ensure accurate, repeatable flow, and long tubing life. Plus, the PerfectPosition tubing retention marks indicate the best placement of the tubing within the pump head.

Choose from a variety of tubing formulations below to allow for optimal performance in the most challenging applications. For detailed formulation descriptions and specifications, see pages 20–24.



Specifications



| Pump tubing size | PerfectPosition [™] pump tubing | |
|---|---|------------------------------------|
| | B/T 87 | B/T 91 |
| Inside diameter (nominal) | 12.7 mm (0.5") | 19.0 mm (0.75") |
| Hose barb size | 12.7 mm (½") | 19.0 mm (¾") |
| Flow range (approximate) [†] with 11 to 321 rpm drive | 0.67 to 18.9 LPM (0.17 to 5.0 GPM) | 1.4 to 42 LPM (0.4 to 11.1 GPM) |
| Maximum pressure [‡] | 2.4 bar (35 psi) | 2.06 bar (30 psi) |
| Maximum vacuum [‡] | 660 mm Hg (26" Hg) | |
| Suction lift [‡] | 8.8 m H ₂ O (29 ft H ₂ O) | |

[†]Determined under the following conditions: 0 bar (0 psi) at inlet, 0.03 bar (0.5 psi) at outlet; water temperature at 22°C (72°F). [‡]Actual performance varies depending on tubing formulation—values shown are for firm tubing.

ORDERING INFORMATION

| Pump tubing formulation | | B/T PerfectPosition pump tubing | | |
|--|------------------------|---------------------------------|-----------------------------|-----------------------------|
| | | | B/T 87 | B/T 91 |
| Silicone (platinum-cured) | 3.0 m (10 ft) per pack | | HL-96510-87 | HL-96510-91 |
| Silicone (peroxide-cured) | 3.0 m (10 ft) per pack | | HL-96400-87 | HL-96400-91 |
| BioPharm Plus silicone (platinum-cured) | 3.0 m (10 ft) per pack | | HL-96445-87 | HL-96445-91 |
| Puri-Flex [™] | 3.0 m (10 ft) per pack | | HL-96419-87 | HL-96419-91 |
| C-Flex [®] | 3.0 m (10 ft) per pack | | HL-06424-87 | HL-06424-91 |
| PharMed [®] BPT | 3.0 m (10 ft) per pack | | HL-06507-87 | HL-06507-91 |
| PharmaPure [®] | 3.0 m (10 ft) per pack | | HL-06437-87 | HL-06437-91 |
| Chem-Durance [®] Bio | 3.0 m (10 ft) per pack | | HL-06443-87 | HL-06443-91 |
| Tygon [®] E-LFL NEW | 3.0 m (10 ft) per pack | | HL-06440-87 | HL-06440-91 |
| Tygon [®] E-Food (B-44-4x) NEW | 3.0 m (10 ft) per pack | | HL-06418-87 | HL-06418-91 |
| Norprene [®] Food (A 60 F) | 3.0 m (10 ft) per pack | | HL-06399-87 | HL-06399-91 |
| Gore [®] Style 100SC NEW | 69 cm (27") per pack | | HL-96190-87 | HL-96190-91 |
| Gore [®] Style 400 NEW | 69 cm (27") per pack | | — | HL-06439-91 |

B/T® VARIABLE-SPEED PUMPS

FEATURES/BENEFITS

All models

- PerfectPosition™ pump tubing ensures accurate loading and repeatable pressure and flow performance
- Tubing occlusion is optimum and automatic when door is closed and latched
- Safety interlock switch shuts off power when door is opened
- Controller and drive are IP56 rated for protection from dust and water spray

Variable-Speed Analog Pumps

- Flow rates: 0.71 to 42 LPM (0.19 to 11.1 GPM) with B/T tubing
- Controller and drive are connected by a 1.9 m (6 ft) cable for placement where convenient; detach controller from drive bracket for optional wall mounting
- Motor is reversible for pumping in either direction
- Simple single-turn potentiometer speed control

Air-Powered Pump

- Flow rates: 2.1 to 42 LPM (0.55 to 11.1 GPM) with B/T tubing
- Pump is ATEX Zone 2 rated: EEx II 3 G c IIC T6; NEC rated to Class 1, Division 2, Groups A, B, C, D, T6
- Use where electric power is unavailable, unsafe, or impractical

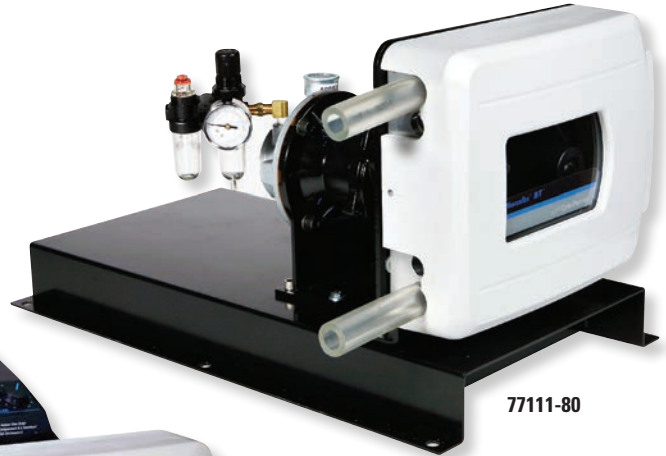
SETUP

All Models

- Open door.
- Load PerfectPosition tubing by aligning retention marks with pump head tubing retainers.
- Close door ensuring that latch is fully engaged.

Variable-Speed Analog Pumps

- Select Forward or Reverse and turn power switch on.
- Adjust pump speed / flow rate with single-turn potentiometer.



77111-80



77111-60

SPEED CONTROL/CIRCUITRY

Variable-Speed Analog Pumps

- 1.9 m (6 ft) cable connects drive to detachable controller
- Single-turn potentiometer speed control
- Separate Forward/OFF/Reverse switch
- Speed not affected by variations in power line voltage (VAC) and frequency (Hz)
- 115 V meets UL61010-1, CSA C22.2 No. 61010-1; 230 V for CE mark: EN61010-1 (EU low voltage), EN61326 (EU EMC), and EN809 (EU machine directive)

Air-Powered Pump

- Air pressure filter/regulator inlet control
- Control speed with air inlet pressures from 4.1 bar (60 psi) to 6.9 bar (100 psi)
- For CE mark: EN809 (EU machine directive); EN13463-1 and EN13463-5 (EU ATEX Directive)

Air-Powered Pump

4. Connect compressed air line to 1/4" NPT connection on filter/regulator.
5. Turn on air source.
6. Adjust pump speed / flow rate with filter/regulator control knob.

PUMP HEAD SPECIFICATIONS

- Corrosion-resistant Nylatron® rollers
- Stainless steel/powder-coated carbon steel frame
- Powder-coated cast aluminum and polycarbonate door
- Accepts PerfectPosition tubing sizes B/T 87 and B/T 91


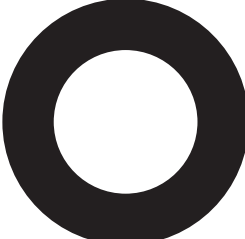


ORDERING INFORMATION

| Catalog number | rpm | Power (50/60 Hz) |
|-----------------------------------|-----------|--|
| Variable-speed analog pump | | |
| HL-77111-60 | 12 to 321 | 90 to 130 VAC |
| HL-77111-67 | | 200 to 260 VAC |
| Air-powered pump | | |
| HL-77111-80 | 35 to 321 | Requires 30 cfm (0.85 m³/min) @ 4.1 bar (60 psi) minimum |

B/T PUMP TUBING FLOW RATE INFORMATION

Order Masterflex B/T pump tubing separately on page 153.

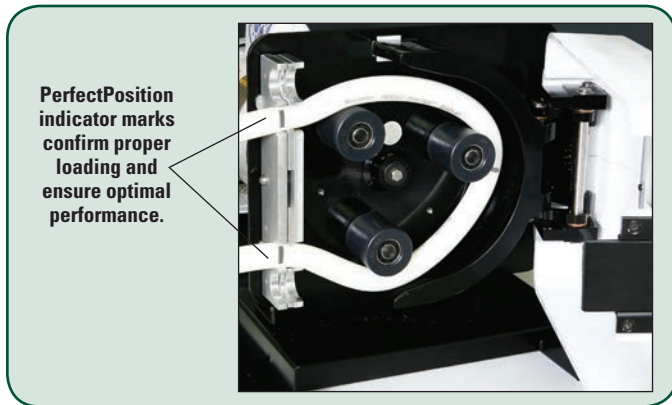
| Tubing cross sections | B/T PerfectPosition™ tubing | | Pump tubing size | PerfectPosition™ pump tubing | |
|---|---|---|---|------------------------------------|---------------------------------|
| |  |  | | B/T 87 | B/T 91 |
| | | | Flow range [†] @ 12 to 321 rpm | 0.71 to 18.9 LPM (0.19 to 5.0 GPM) | 1.4 to 42 LPM (0.4 to 11.1 GPM) |
| Flow range [†] @ 35 to 321 rpm | 2.1 to 18.9 LPM (0.55 to 5.0 GPM) | 4.0 to 42 LPM (1.06 to 11.1 GPM) | | | |

[†]Determined under the following conditions: 0 psi at inlet, 0.5 psi at outlet; water temperature at 22°C (72°F).

SPECIFICATIONS for B/T® Variable-Speed Pumps

| Catalog number | | HL-77111-60 | HL-77111-67 | HL-77111-80 |
|-----------------------------------|--|---|---|---|
| Performance specifications | | | | |
| Flow capacity | | 0.71 to 42 LPM (0.19 to 11.1 GPM) | 2.1 to 42 LPM (0.55 to 11.1 GPM) | |
| rpm | | 12 to 321 | 35 to 321 | |
| Number of heads accepted | | 1 (supplied with drive) | | |
| Maximum running torque | | 104 kg-cm (1440 oz-in) | 208 kg-cm (2200 oz-in) | |
| Reversible | | Yes | No | |
| Electrical specifications | | | | |
| Voltage VAC (50/60 Hz) | | 90 to 130 | 200 to 260 | — |
| Current | | 6.5 A | 3.3 A | — |
| Fuse rating | | 8 A | 4 A | — |
| Motor type | | Continuous duty, TENV, permanent-magnet DC | | Requires 30 cfm (0.85 m ³ /min) @ 4.1 bar (60 psi) minimum |
| Motor size | | 370 W (½ hp) | 746 W (1 hp) | |
| Motor/speed control type | | 1-turn potentiometer | | |
| Speed regulation | | ±5% | | |
| Soft start/electronic brake | | Yes / Yes | | |
| Physical specifications | | | | |
| Housing materials | Controller | ABS plastic | | |
| | Drive | Painted steel | | |
| Pump head materials | Powder-coated carbon steel and cast aluminum, stainless steel, polycarbonate, with Nylatron® rollers | | | |
| IP rating† | Controller | IP56 | — | |
| | Drive | IP56 | IP56 | |
| Agency listings | ETL, cETL, CE | | | CE |
| Operating temperature | 0 to 40°C (32 to 104°F) | | | 0 to 40°C (32 to 104°F) |
| Storage temperature | -20 to 60°C (-4 to 140°F) | | | -10 to 65°C (-14 to 149°F) |
| Noise level | <75 dBA @ 1 m (39") | | | <88 dBA @ 1 m (39") |
| Dimensions (L x W x H) | Controller | 18.4 x 14.0 x 9.1 cm (7.3" x 5.5" x 3.6") | 24.0 x 16.0 x 9.1 cm (9.5" x 6.3" x 3.6") | — |
| | Drive | 68.6 x 40 x 42.4 cm (27.0" x 15.8" x 16.7") | 68.6 x 40 x 44.2 cm (27.0" x 15.8" x 17.4") | 68.6 x 40 x 38.4 cm (27.0" x 15.8" x 15.1") |
| Shipping weight | 40.4 kg (89 lb) | | | 28.5 kg (63 lb) |

†See page 194 for explanation of IP ratings.

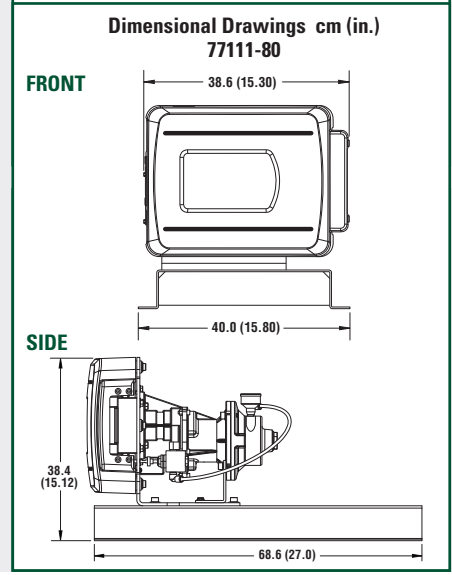
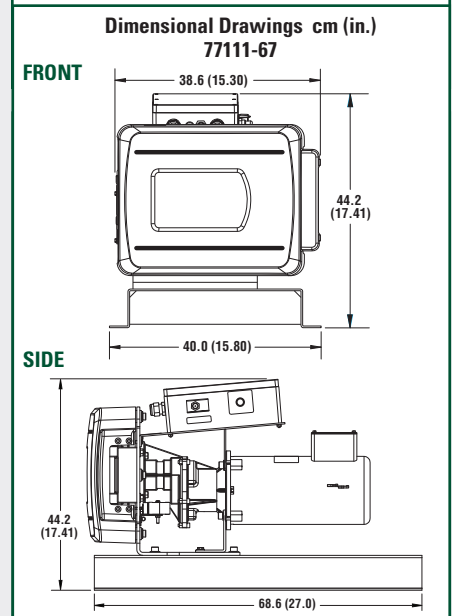
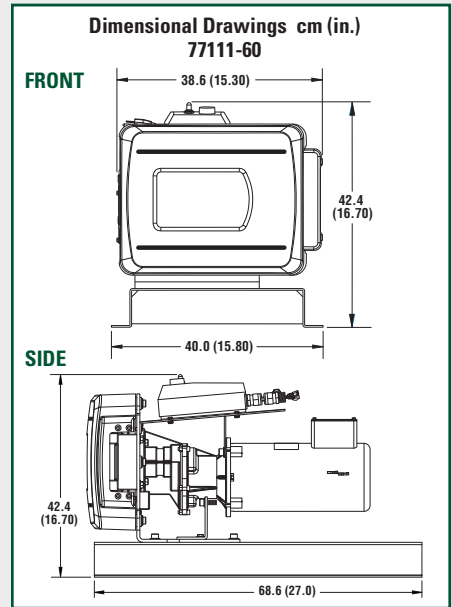


Rubbermaid® FLAT-SHELF SERVICE CART

Perfect for transporting your B/T® pump around the process area. Flat-shelf design lets you easily move the pump on and off the cart and allows clearance for tubing. Transport up to 181 kg (400 lb). Comes with 12.7 cm (5") rubber casters (two swivel), seamless shelves and supports, radius corners, and molded handle.

HL-09348-40 Plastic service cart, 112 cm L x 64.8 cm W x 85 cm H (44"L x 25½"W x 33½"H)

5 year warranty



B/T® VARIABLE-SPEED MODULAR DIGITAL PUMP

FEATURES/BENEFITS

- ▶ Flow rates: 0.65 to 42 LPM (0.17 to 11.1 GPM) with B/T tubing
- ▶ Seven-segment, four-digit LED shows flow rate, rpm, copy number, and dispense volume
- ▶ Controller and drive are connected by a 1.9 m (6 ft) cable for placement where convenient; mount controller directly to drive with optional mounting bracket (order separately under "Accessories")
- ▶ PerfectPosition™ pump tubing ensures accurate loading and repeatable pressure and flow performance
- ▶ Tubing occlusion is optimum and automatic when door is closed and latched
- ▶ Safety interlock switch shuts off power when door is opened
- ▶ Controller and drive are IP56 rated for protection from dust and water spray
- ▶ Dispense by volume, copy, or time
- ▶ User selectable metric or English flow/volume units
- ▶ Drive stores one calibration value per tubing size even when turned off
- ▶ Motor is reversible for pumping in either direction; prime key runs motor at max speed to prime/purge tubing
- ▶ Keypad lockout prevents tampering and accidental changes

DRIVE CONTROLS

- ▶ Protected power switch located on side of controller
- ▶ Lighted display indicates power is on
- ▶ Simple programming and operation of the following via sealed membrane keypad:
 - ◆ Tubing size
 - ◆ Flow rate
 - ◆ Flow direction
 - ◆ Flow units (metric or English)
 - ◆ Motor speed (rpm)
 - ◆ Total volume
 - ◆ Dispense (volume/copy/time)
 - ◆ Control mode (remote/internal)
 - ◆ Prime
 - ◆ Start/stop
 - ◆ Calibration

SETUP

1. Open door.
2. Load PerfectPosition tubing by aligning retention marks with pump head tubing retainers.
3. Close door ensuring that latch is fully engaged.
4. Select motor direction.
5. Prime and calibrate pump if required.
6. Set flow rate through keypad.
7. Press START key to begin pumping.

PUMP HEAD SPECIFICATIONS

- ▶ Corrosion-resistant Nylatron® rollers
- ▶ Stainless steel/powder-coated carbon steel frame
- ▶ Powder-coated cast aluminum and polycarbonate door
- ▶ Accepts PerfectPosition tubing sizes B/T 87 and B/T 91

SPEED CONTROL/CIRCUITRY

- ▶ Regulate motor through keypad, 4 to 20 mA, or 0 to 10 V signal
- ▶ Soft start for starts without power surges
- ▶ Speed not affected by variations in power line voltage (VAC) and frequency (Hz)
- ▶ Line filters reduce outside interference
- ▶ 115 V meets UL61010-1, CSA C22.2 No. 61010-1; 230 V for CE mark: EN61010-1 (EU low voltage), EN61326 (EU EMC), and EN809 (EU machinery directive)

REMOTE CONTROL

- ▶ Speed control input: 0 to 20 mA, 4 to 20 mA, and 0 to 10 V (scaleable)
- ▶ Speed signal output: 0 to 20 mA, 4 to 20 mA, and 0 to 10 V (scaleable)
- ▶ START/STOP, CW/CCW, PRIME via contact closure
- ▶ Tach output: open collector
- ▶ Motor running indicator
- ▶ 18-pin watertight circular connection
- ▶ Handheld remote and cable options; order separately under "Accessories"

B/T modular digital pump with IP56-rated controller 77111-40



CALIBRATION

1. Select correct tubing size and flow rate.
2. Press CAL; calibration volume appears.
3. Press Start/Stop key. Stored memory dispenses specified volume, stops automatically.
4. Weigh/measure the sample.
5. Use UP/DOWN keys to adjust display to actual measured volume.
6. Press SIZE to save setting and exit.

Note: Digital signal processor retains one calibration value for each tubing size, even when power is turned off.

KEYPAD LOCK/UNLOCK FEATURE

- ▶ Press and hold FLOW key until dashes appear on display
- ▶ While holding FLOW key, press PRIME key five times
- ▶ Repeat above steps to unlock keypad



ORDERING INFORMATION

| Catalog number | rpm | Power (50/60 Hz) |
|----------------|-----------|------------------|
| HL-77111-40 | 11 to 321 | 90 to 130 VAC |
| HL-77111-47 | | 200 to 260 VAC |

B/T PUMP TUBING FLOW RATE INFORMATION

Order Masterflex B/T pump tubing separately on page 153.

| Tubing cross sections | B/T PerfectPosition™ tubing | | Pump tubing size | PerfectPosition™ pump tubing | |
|-----------------------|-----------------------------|--------|--|-------------------------------------|------------------------------------|
| | B/T 87 | B/T 91 | | B/T 87 | B/T 91 |
| | | | Flow range† @ 11 to 321 rpm | 0.65 to 18.9 LPM (0.17 to 5 GPM) | 1.3 to 42 LPM (0.3 to 11.1 GPM) |
| | | | †Determined under the following conditions: 0 psi at inlet, 0.5 psi at outlet; water temperature at 22°C (72°F). | | |
| | | | Dispensing Precision | | |
| | | | Tubing size | Minimum dose (for ±0.5% precision) | Precision (±) |
| | | | B/T 87 | 5 L | 25 mL |
| | | | B/T 91 | 10 L | 50 mL |

SPECIFICATIONS for B/T® Variable-Speed Modular Digital Pumps

| | | | |
|-----------------------------------|------------|--|-----------------------------|
| Catalog number | | HL-77111-40 | HL-77111-47 |
| Performance specifications | | | |
| Flow capacity | | 0.65 to 42 LPM (0.17 to 11.1 GPM) | |
| rpm | | 11 to 321 | |
| Number of heads accepted | | 1 (supplied with drive) | |
| Maximum running torque | | 104 kg-cm (1440 oz-in) | |
| Reversible | | Yes | |
| External control | Input | 0 to 20 mA, 4 to 20 mA, 0 to 10 V; Start/stop, CW/CCW, Prime via contact closure | |
| | Output | 0 to 20 mA, 4 to 20 mA, 0 to 10 V, TTL | |
| Electrical specifications | | | |
| Voltage VAC (50/60 Hz) | | 90 to 130 | 200 to 260 |
| Current | | 6.5 A | 3.3 A |
| Fuse rating | | 8 A | 4 A |
| Motor type | | Continuous duty, TENV, permanent-magnet DC | |
| Motor size | | 370 W (½ hp) | |
| Display | | Four-digit, seven-segment LCD | |
| Motor/speed control type | | Membrane keypad, microprocessor | |
| Speed regulation | | ±0.25% | |
| Soft start/electronic brake | | Yes / Yes | |
| Physical specifications | | | |
| Housing materials | Controller | Painted aluminum | |
| | Drive | Painted steel | |
| Pump head materials | | Powder-coated carbon steel and cast aluminum, stainless steel, polycarbonate, with Nylatron® rollers | |
| IP rating† | Controller | IP56 | |
| | Drive | IP56 | |
| Agency listings | | ETL, cETL, CE | |
| Operating temperature | | 0 to 40°C (32 to 104°F) | |
| Storage temperature | | -45 to 65°C (-49 to 149°F) | |
| Noise level | | <75 dBA @ 1 m (39") | |
| Dimensions (L x W x H) | Controller | 22.9 x 27.9 x 11.4 cm (9.0" x 11.0" x 4.5") | |
| | Drive | 68.6 x 40 x 38.4 cm (27.0" x 15.8" x 15.1") | |
| Shipping weight | | 44.7 kg (98.5 lb) | |

†See page 194 for explanation of IP ratings.

ACCESSORIES

HL-77300-32 Remote cable; required for remote control operation, 7.6 m (25 ft)

HL-77111-90 Controller mounting bracket; mount controller directly to back of pump head

Controller bracket 77111-90 shown mounted to back of pump head.



Rubbermaid® FLAT-SHELF SERVICE CART

Perfect for transporting your B/T® pump around the process area. Flat-shelf design lets you easily move the pump on and off the cart and allows clearance for tubing. Transport up to 181 kg (400 lb). Comes with 12.7 cm (5") rubber casters (two swivel), seamless shelves and supports, radius corners, and molded handle.

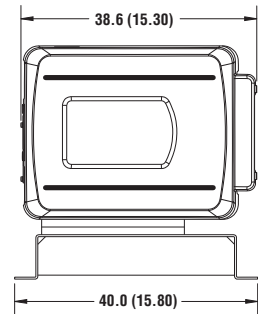
HL-09348-40 Plastic service cart, 112 cm L x 64.8 cm W x 85 cm H (44"L x 25½"W x 33½"H)

5 year warranty

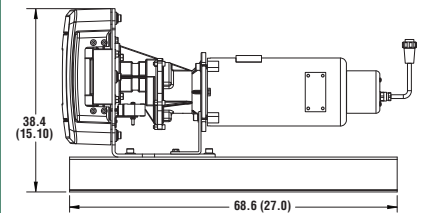


Dimensional Drawings cm (in.) 77111-40, -47

FRONT

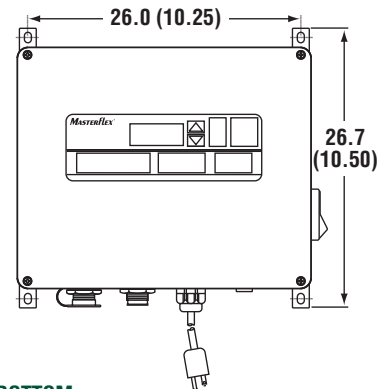


SIDE

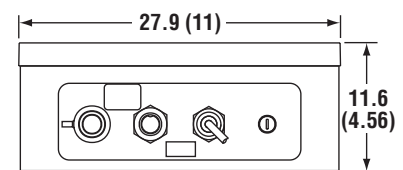


Controller

FRONT



BOTTOM



B/T® TUBING 153

ACCESSORIES 160-167

TECHNICAL DATA 172-206

B/T® FIXED-SPEED PUMPS

FEATURES/BENEFITS

- ▶ Flow rates: up to 42 LPM (0.17 to 11.1 GPM) with B/T tubing
- ▶ PerfectPosition™ pump tubing ensures accurate loading and repeatable pressure and flow performance
- ▶ Tubing occlusion is optimum and automatic when door is closed and latched
- ▶ Safety interlock switch shuts off power when door is opened
- ▶ Reversible motor lets you pump in either direction
- ▶ Pumps are IP56 rated for protection from dust and water spray

SETUP

1. Open door.
2. Load PerfectPosition tubing by aligning retention marks with pump head tubing retainers.
3. Close door ensuring that latch is fully engaged.
4. Turn power on.

PUMP HEAD SPECIFICATIONS

- ▶ Corrosion-resistant Nylatron rollers
- ▶ Stainless steel/powder-coated carbon steel frame
- ▶ Powder-coated cast aluminum and polycarbonate door
- ▶ Accepts PerfectPosition tubing sizes B/T 87 and B/T 91

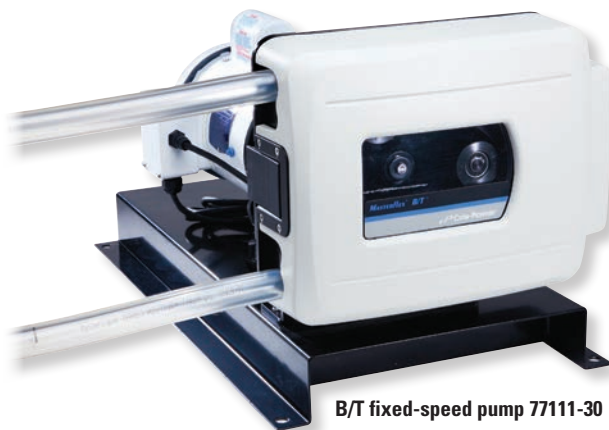
SPEED CONTROL/CIRCUITRY

- ▶ 115 V meets UL61010-1, CSA C22.2 No. 61010-1; 230 V for CE mark: EN61010-1 (EU low voltage), EN61326 (EU EMC), and EN809 (EU machine directive)



ORDERING INFORMATION

| Catalog number | rpm | Power (50/60 Hz) |
|-----------------------------|-----|------------------|
| HL-77111-30 | 321 | 90 to 130 VAC |
| HL-77111-37 | 271 | 200 to 260 VAC |



B/T fixed-speed pump 77111-30

SPECIFICATIONS

| Catalog number | HL-77111-30 | HL-77111-37 |
|-----------------------------------|--|-----------------------------|
| Performance specifications | | |
| Flow capacity | 42 LPM (11.1 GPM) | 35 LPM (9.4 GPM) |
| rpm | 321 | 271 |
| Number of heads accepted | 1 (supplied with drive) | |
| Maximum running torque | 208 kg-cm (2200 oz-in) | |
| Reversible | Yes | |
| Electrical specifications | | |
| Voltage VAC (50/60 Hz) | 90 to 130 | 200 to 260 |
| Current | 12.6 A | 6.3 A |
| Fuse rating | 15 A | 8 A |
| Motor type | Continuous-duty, TENV, permanent-magnet DC | |
| Motor size | 746 W (1 hp) | |
| Mounting type | Direct drive | |
| Speed regulation | Fixed | |
| Physical specifications | | |
| Housing materials | Painted steel | |
| Pump head materials | Powder-coated carbon steel and cast aluminum, stainless steel, polycarbonate, with Nylatron® rollers | |
| IP rating | IP56 | |
| Agency listings | ETL, cETL, CE | |
| Operating temperature | 0 to 40°C (32 to 104°F) | |
| Storage temperature | -10 to 65°C (14 to 149°F) | |
| Noise level | <75 dBA @ 1 m (39") | |
| Dimensions (L x W x H) | 68.6 x 40.0 x 38.4 cm (27.0" x 15.8" x 15.1") | |
| Shipping weight | 39.9 kg (88.0 lb) | |

B/T PUMP TUBING FLOW RATE INFORMATION

Order Masterflex B/T pump tubing separately on page 153.

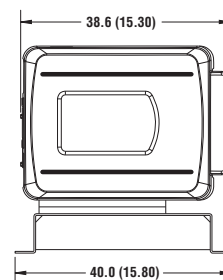
| Tubing cross sections | PerfectPosition™ tubing | |
|-----------------------|-------------------------|-------------------|
| | B/T 87 | B/T 91 |
| | | |
| Flow rate @ 321 rpm | 18.9 LPM (5.0 GPM) | 42 LPM (11.1 GPM) |
| Flow rate @ 271 rpm | 16.0 LPM (4.2 GPM) | 35 LPM (9.4 GPM) |

Note: Determined under the following conditions: 0 bar (0 psi) at inlet, 0.03 bar (0.5 psi) at outlet; water temperature at 22°C (72°F).

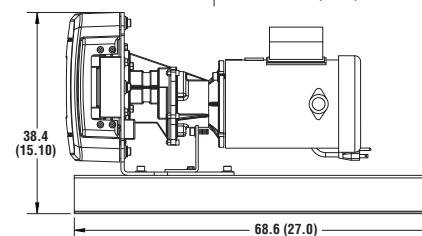
Dimensional Drawings cm (in.)

77111-30, -37

FRONT



SIDE



B/T® RAPID-LOAD® PUMP HEADS for 56C Frame or IEC-72-71-14F130 Frame Motors

FEATURES/BENEFITS

- Flow rates: up to 42 LPM (0.17 to 11.1 GPM) with B/T tubing
- PerfectPosition™ pump tubing ensures accurate loading and repeatable pressure and flow performance
- Tubing occlusion is optimum and automatic when door is closed and latched
- Safety interlock switch shuts off power when door is opened
- Pump heads are IP56 rated for protection from dust and water spray

SELECTION CRITERIA

- Determine flow rate/gear ratio required (see "Flow Rate" table at right for sample values).
- Determine type of motor mounting required: NEMA Type 56C or IEC-72-71-14F130 with B5 mounting, 160 mm flange.

MOTOR SPECIFICATIONS

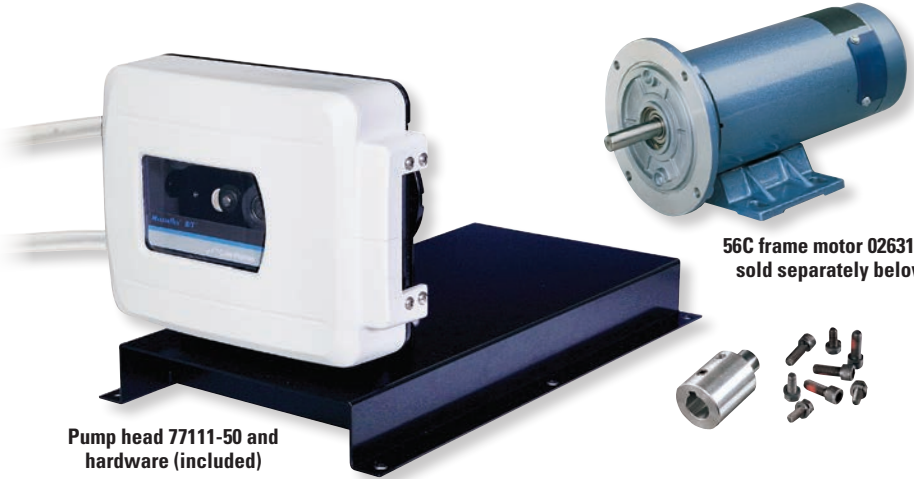
- Use a 1-hp (0.75 kW) motor; 1800 rpm maximum speed
- See motor options below
- Go to www.coleparmer.com/Motors for additional motor options and for VFD controllers to vary the speed of the motors listed below

SETUP

- Mount motor face to pump head gear reducer using the supplied hardware.
- Follow manual instructions for wiring connections.
- Open door and load PerfectPosition tubing by aligning retention marks with pump head tubing retainers.
- Close door ensuring that latch is fully engaged.
- Turn power on.

PUMP HEAD SPECIFICATIONS

- Corrosion-resistant Nylatron rollers
- Stainless steel/powder-coated carbon steel frame
- Powder-coated cast aluminum and polycarbonate door
- Accepts PerfectPosition tubing sizes B/T 87 and B/T 91
- For CE mark: EN809 (EU machine directive)



Pump head 77111-50 and hardware (included)

56C frame motor 02631-02 sold separately below



ORDERING INFORMATION

| Catalog number | For motor type |
|-----------------------------|------------------|
| HL-77111-50 | NEMA Type 56C |
| HL-77111-55 | IEC-72-71-14F130 |

B/T FLOW RATE INFORMATION

| Motor rpm | Pump head gear ratio | Pump head rpm | PerfectPosition pump tubing | |
|----------------------|----------------------|---------------|-----------------------------|---------------|
| | | | B/T 87 | B/T 91 |
| Flow/rev in L (gal.) | | | 0.059 (0.0156) | 0.131 (0.035) |
| 1725 | 5.6:1 | 308 | 18.2 LPM | 40.3 LPM |
| 1750 | 5.6:1 | 313 | 18.5 LPM | 41.0 LPM |
| 1800 | 5.6:1 | 321 | 18.9 LPM | 42.0 LPM |

Note: Flow ranges are approximate—calculated under the following conditions: 0 psig at inlet and outlet; water temperature at 22°C (72°F).

SPECIFICATIONS for B/T Pump Heads

| Catalog number | HL-77111-50 | HL-77111-55 |
|-----------------------------------|--|-----------------------------|
| Performance specifications | | |
| Flow capacity | 42 LPM (11.1 GPM) | |
| Maximum rpm | Pump head | 321 |
| | Motor | 1800 |
| Gear ratio | 5.6:1 | |
| Maximum running torque | 208 kg-cm (2200 oz-in) | |
| Physical specifications | | |
| Pump head materials | Powder-coated carbon steel and cast aluminum, stainless steel, polycarbonate, with Nylatron® rollers | |
| IP rating | IP56 | |
| Agency listings | CE | |
| Operating temperature | 0 to 40°C (32 to 104°F) | |
| Storage temperature | -10 to 65°C (14 to 149°F) | |
| Dimensions (L x W x H) | 68.6 x 40.0 x 38.4 cm (27.0" x 15.8" x 15.1") | |
| Shipping weight | 28.5 kg (63.0 lb) | |

MOTORS WITH 56C FRAME

| Catalog number | hp | rpm | Type | Voltage | Frequency | Phase | Wattage | IP rating ¹ | Overall dimensions (L x W x H) | Shpg wt kg (lb) |
|-----------------------------|----|------|------|-----------------|-----------|-------|---------|------------------------|---|-----------------|
| DC Motors | | | | | | | | | | |
| HL-70071-40 | 1 | 1750 | TEFC | 90 VDC | — | — | 751 | IP44 | 37.6 x 20.2 x 17 cm (14 ³ / ₁₆ " x 7 ¹⁵ / ₁₆ " x 6 ¹ / ₁₆ " | 12.3 (27.0) |
| HL-70071-50 | 1 | 1750 | TEFC | 180 VDC | — | — | 716 | IP44 | 37.6 x 20.2 x 17 cm (14 ³ / ₁₆ " x 7 ¹⁵ / ₁₆ " x 6 ¹ / ₁₆ " | 11.8 (26.0) |
| AC Motors | | | | | | | | | | |
| HL-71004-45 | 1 | 1750 | TEFC | 115/208–230 VAC | 50/60 Hz | 1 | 750 | IP44 | 31.3 x 22.8 x 21.2 cm (12 ³ / ₁₆ " x 8 ¹⁵ / ₁₆ " x 8 ⁵ / ₁₆ " | 11.1 (24.5) |
| HL-71015-45 | 1 | 1750 | WDN | 208–230/460 VAC | 50/60 Hz | 3 | 750 | IP53 | 35 x 22.2 x 17.2 cm (13 ³ / ₄ " x 8 ³ / ₄ " x 6 ³ / ₄ " | 11.3 (25.0) |

¹See page 194 for an explanation of IP ratings
TENV—Totally enclosed, nonventilating TEFC—Totally enclosed, fan-cooled WDN—Washdown

LIQUI-SENSE® EMERGENCY CUT-OFF FLUID MONITORING SYSTEM

FEATURES/BENEFITS

- ▶ Use with any style pump or where a fluid connection (potential leak source) exists
- ▶ Detects leaks and hazardous fluid loss
- ▶ Provides 24-hour protection
- ▶ Prevents flooding and pump damage
- ▶ If pump fails, system turns pump off and turns on back-up pump
- ▶ Two sensor options:
 - ◆ Liquid detector pad senses leaks
 - ◆ Float-switch—detects level changes
- ▶ Connections for one or two sensors with individual sensitivity adjustments
- ▶ Monitor two points in a single system or two independent systems
- ▶ Audible and visible alarms
- ▶ Alarm requires manual reset—prevents accidental restarting after detected problem

SPECIFICATIONS for Liqui-Sense® Controller

| | | |
|-----------------------------------|---|-----------------------------|
| Catalog number | HL-77096-00 | HL-77096-05 |
| Performance Specifications | | |
| Audible alarm sound level | 90 dBA | |
| Electrical Specifications | | |
| Contact closure rating | 30 VDC—1 A maximum | |
| Voltage VAC (50/60 Hz) | 90 to 115 | 180 to 230 |
| Current | 10 A | 6.3 A |
| Physical Specifications | | |
| Housing material | ABS plastic | |
| IP rating* | IP22 | |
| Operating temperature | 0 to 40°C (32 to 104°F) | |
| Storage temperature | -45 to 65°C (-49 to 149°F) | |
| Humidity | 0 to 85% | |
| Dimensions (L x W x H) | 20.6 x 16 x 7.6 cm (8 1/8" x 6 3/8" x 3") | |
| Shipping weight | 1.4 kg (3 lb) | |

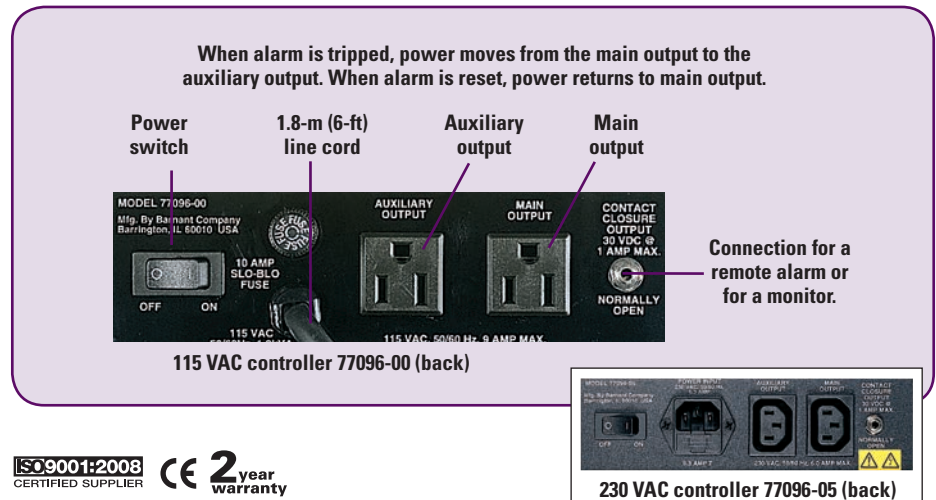
*See page 194 for explanation of IP ratings.

HOW TO ORDER

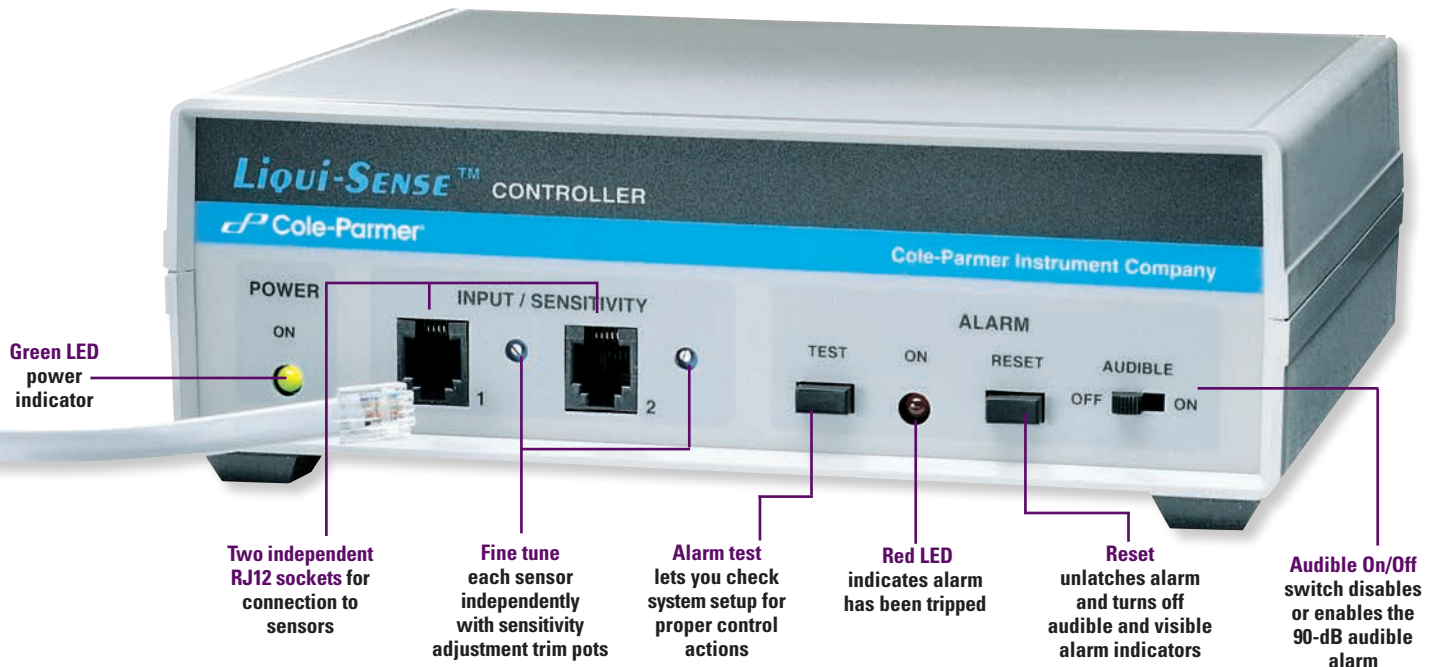
1. Order a Liqui-Sense controller.
2. Choose from two sensors to detect fluid process problems: the liquid detector pad senses fluid leakage, and the float-switch level sensor detects critical levels of fluid in a vessel.
3. Select optional 24-hour monitor, cord, or cables.

1 CONTROLLER ORDERING INFORMATION

| Catalog number | Power | Socket |
|-----------------------------|--------------------------|-------------|
| HL-77096-00 | 90 to 115 VAC, 50/60 Hz | US Standard |
| HL-77096-05 | 180 to 230 VAC, 50/60 Hz | IEC 320F |



ISO9001:2008 CERTIFIED SUPPLIER CE 2 year warranty





2a LIQUID DETECTOR PAD

- ▶ Capacitance sensor pad detects leaks
- ▶ Less than 1 mL of most fluids will trigger the alarm
- ▶ Virtually eliminates loss of costly fluid or damage from hazardous chemicals
- ▶ Factory calibrated for water—calibration adjustment required for other fluids
- ▶ Polyester pad wipes clean after spills
- ▶ Velcro® strip holds sensor pad in place
- ▶ Pad measurement: 12.7 cm L x 6.7 cm W (5" L x 2 5/8" W)
- ▶ Includes a 1-m (3 1/2-ft) shielded connecting cable. Order extension cables separately under "Accessories" below.



Liquid detector pad
77095-00



ORDERING INFORMATION

| Cat. no. | Description |
|-----------------------------|--|
| HL-77095-00 | Liquid detector pad |
| HL-77095-02 | Replacement connecting cable 1-m (3 1/2-ft), RJ12 connections |

2b FLOAT-SWITCH LEVEL SENSOR

- ▶ Fluid level monitored by placing sensor in either the fluid source or destination
- ▶ Sensor triggers alarm when fluid level changes
- ▶ Mounts in the side of tank through 1/2" NPT(F) bulkhead (not included)
- ▶ Hinged float-switch swings magnet into place to trip reed switch
- ▶ UL-recognized, CSA- and CE-certified
- ▶ 0.6-m (2-ft) two-wire sensor lead must be adapted to fit RJ12 socket on controller (use connecting cable 77095-02)

ORDERING INFORMATION

| Cat. no. | Description |
|-----------------------------|---|
| HL-07187-28 | Polypropylene float switch; requires connecting cable 77095-02 |
| HL-07187-30 | Nylon float switch; requires connecting cable 77095-02 |
| HL-77095-02 | Connecting cable with RJ12 connectors, 1 m (3 1/2 ft) |



Float-switch
level sensor
07187-28



3 ACCESSORIES

[HL-08330-20](#) **24-hour application monitor;** automatically dials phone or pager under alarm condition. Requires cable 23000-70

[HL-23000-70](#) **Interface cable** for monitor 08330-20

[HL-77095-03](#) **Extension cable**, 3.0-m (10-ft) with RJ12 connection for all sensors.

[HL-77095-04](#) **Extension cable**, 4.5-m (15-ft) with RJ12 connection for all sensors.

FOR THE LATEST...

Masterflex technical resources, see

- ColeParmer.com
- Masterflex.com

MASTERFLEX BARBED FITTINGS



A
Straight barb



B
Tee connector



C
"Y" connector



D
Barb x NPT(M) adapter



E
Reducer barb

| Size | Use with Masterflex tubing sizes | | | HDPE | Nylon | Polypropylene | Kynar® PVDF |
|-------------------------------------|----------------------------------|--------|------|-----------------------------|-----------------------------|-----------------------------|-----------------------------|
| | L/S® | I/P® | B/T® | | | | |
| A Straight barbs | | | | | | | |
| 1/16" | 13, 14 | — | — | HL-30612-01 | HL-30612-02 | HL-30612-43 | HL-30612-04 |
| 1/8" | 16 | — | — | HL-30612-05 | HL-30612-06 | HL-30612-47 | HL-30612-08 |
| 3/16" | 15, 25 | — | — | HL-30612-09 | HL-30612-10 | HL-30612-51 | HL-30612-12 |
| 1/4" | 17, 24 | 26 | — | HL-30612-13 | HL-30612-14 | HL-30612-55 | HL-30612-16 |
| 3/8" | 18, 35, 36 | 70, 73 | — | HL-30612-17 | HL-30612-18 | HL-30612-59 | HL-30612-20 |
| 1/2" | — | 82, 88 | 87 | HL-30612-21 | HL-30612-22 | HL-30612-63 | HL-30612-24 |
| 5/8" | — | 89 | — | HL-30612-25 | HL-30612-26 | HL-30612-67 | HL-30612-28 |
| 3/4" | — | — | 91 | HL-30612-29 | HL-30612-30 | HL-30612-71 | HL-30612-32 |
| B Tee connectors (equal leg) | | | | | | | |
| 1/16" | 13, 14 | — | — | HL-30613-01 | HL-30613-02 | HL-30613-43 | HL-30613-04 |
| 1/8" | 16 | — | — | HL-30613-05 | HL-30613-06 | HL-30613-47 | HL-30613-08 |
| 3/16" | 15, 25 | — | — | HL-30613-09 | HL-30613-10 | HL-30613-51 | HL-30613-12 |
| 1/4" | 17, 24 | 26 | — | HL-30613-13 | HL-30613-14 | HL-30613-55 | HL-30613-16 |
| 3/8" | 18, 35, 36 | 70, 73 | — | HL-30613-17 | HL-30613-18 | HL-30613-59 | HL-30613-20 |
| 1/2" | — | 82, 88 | 87 | HL-30613-21 | HL-30613-22 | HL-30613-63 | HL-30613-24 |
| 5/8" | — | 89 | — | HL-30613-25 | HL-30613-26 | HL-30613-67 | HL-30613-28 |
| 3/4" | — | — | 91 | HL-30613-29 | HL-30613-30 | HL-30613-71 | HL-30613-32 |
| C Y-connectors (equal leg) | | | | | | | |
| 1/16" | 13, 14 | — | — | HL-30614-01 | HL-30614-02 | HL-30614-43 | HL-30614-04 |
| 1/8" | 16 | — | — | HL-30614-05 | HL-30614-06 | HL-30614-47 | HL-30614-08 |
| 3/16" | 15, 25 | — | — | HL-30614-09 | HL-30614-10 | HL-30614-51 | HL-30614-12 |
| 1/4" | 17, 24 | 26 | — | HL-30614-13 | HL-30614-14 | HL-30614-55 | HL-30614-16 |
| 3/8" | 18, 35, 36 | 70, 73 | — | HL-30614-17 | HL-30614-18 | HL-30614-59 | HL-30614-20 |
| 1/2" | — | 82, 88 | 87 | HL-30614-21 | HL-30614-22 | HL-30614-63 | HL-30614-24 |
| 5/8" | — | 89 | — | HL-30614-25 | HL-30614-26 | HL-30614-67 | HL-30614-28 |
| 3/4" | — | — | 91 | HL-30614-29 | HL-30614-30 | HL-30614-71 | HL-30614-32 |
| D Barb x NPT(M) adapters | | | | | | | |
| 1/8" x 1/8" | 16 | — | — | HL-30615-05 | HL-30615-06 | HL-30615-47 | HL-30615-08 |
| 3/16" x 1/8" | 15, 25 | — | — | HL-30615-09 | HL-30615-10 | HL-30615-51 | HL-30615-12 |
| 1/4" x 1/4" | 17, 24 | 26 | — | HL-30615-13 | HL-30615-14 | HL-30615-55 | HL-30615-16 |
| 3/8" x 1/4" | 18, 35, 36 | 70, 73 | — | HL-30615-17 | HL-30615-18 | HL-30615-59 | HL-30615-20 |
| 1/2" x 1/2" | — | 82, 88 | 87 | HL-30615-21 | HL-30615-22 | HL-30615-63 | HL-30615-24 |
| 5/8" x 1/2" | — | 89 | — | HL-30615-25 | HL-30615-26 | HL-30615-67 | HL-30615-28 |
| 3/4" x 1/2" | — | — | 91 | HL-30615-29 | HL-30615-30 | HL-30615-71 | HL-30615-32 |
| E Reducer barbs | | | | | | | |
| 1/16" x 1/8" | 13, 14 | — | — | HL-30616-01 | HL-30616-02 | HL-30616-43 | HL-30616-04 |
| 1/8" x 3/32" | 16 | — | — | HL-30616-05 | HL-30616-06 | HL-30616-47 | HL-30616-08 |
| 3/16" x 1/8" | 15, 25 | — | — | HL-30616-09 | HL-30616-10 | HL-30616-51 | HL-30616-12 |
| 1/4" x 1/8" | 17, 24 | 26 | — | HL-30616-13 | HL-30616-14 | HL-30616-55 | HL-30616-16 |
| 3/8" x 1/4" | 18, 35, 36 | 70, 73 | — | HL-30616-17 | HL-30616-18 | HL-30616-59 | HL-30616-20 |
| 1/2" x 3/8" | — | 82, 88 | 87 | HL-30616-21 | HL-30616-22 | HL-30616-63 | HL-30616-24 |
| 5/8" x 1/2" | — | 89 | — | HL-30616-25 | HL-30616-26 | HL-30616-67 | HL-30616-28 |
| 3/4" x 1/2" | — | — | 91 | HL-30616-29 | HL-30616-30 | HL-30616-71 | HL-30616-32 |

HANDHELD TUBING CUTTER

Steel blade coated with PTFE resin produces clean, straight cuts through any size of Masterflex® tubing (cuts polyethylene tubing up to 38.1 mm [1 1/2"] OD).



06438-90

| Catalog number | Description |
|-----------------------------|------------------------|
| HL-06438-90 | Handheld tubing cutter |

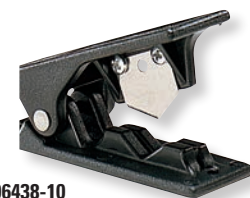
[HL-06438-81](#) Optional tubing cutter pouch.

[HL-06438-92](#) Replacement blade for 06438-90.

BENCHTOP TUBING CUTTER

Steel blade makes right-angle cuts in several sizes of Masterflex tubing:

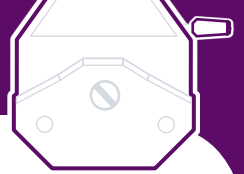
C/L®: 2.06 mm, 2.79 mm OD
L/S®: sizes 13, 14, 15, 16, 17, 18, 24, 25, 35, 36
I/P®: 26, 73



06438-10

| Catalog number | Description |
|-----------------------------|------------------------|
| HL-06438-10 | Benchtop tubing cutter |

[HL-06438-11](#) Replacement blade for 06438-10.



MICROBORE TUBING CONNECTORS

Connect even the smallest tubing with a leak-free seal from vacuum to 34.5 bar (500 psi)

- Multiple styles to fit your need
- Stainless steel fitting is autoclavable
- Temperature range from -57 to 260°C (-70 to 500°F)

| Catalog number | Gauge | Masterflex C/L® tubing size | Tubing size (mm) | |
|------------------------------|-----------------|-----------------------------|------------------|------|
| | | | ID | ID2 |
| A Straight connectors | | | | |
| HL-34001-01 | 33 | -10 | 0.19 | — |
| HL-34001-02 | 30 | -12 | 0.25 | — |
| HL-34001-03 | 24 | -18 | 0.51 | — |
| HL-34001-04 | 20 | -26 | 0.89 | — |
| HL-34001-05 | 18 | -30 | 1.14 | — |
| HL-34001-06 | 17 | -34 | 1.42 | — |
| HL-34001-07 | 14 | -42 | 2.06 | — |
| HL-34001-08 | 12 | -48 | 2.79 | — |
| B Reducer connectors | | | | |
| HL-34001-11 | 33 x 30 | -10 x -12 | 0.19 | 0.25 |
| HL-34001-12 | 30 x 24 | -12 x -18 | 0.25 | 0.51 |
| HL-34001-13 | 24 x 20 | -18 x -26 | 0.51 | 0.89 |
| HL-34001-14 | 20 x 18 | -26 x -30 | 0.89 | 1.14 |
| HL-34001-15 | 18 x 17 | -30 x -34 | 1.14 | 1.42 |
| HL-34001-16 | 17 x 14 | -34 x -42 | 1.42 | 2.06 |
| HL-34001-17 | 14 x 12 | -42 x -48 | 2.06 | 2.79 |
| HL-34001-18 | 12 x 1/8" barb | -48 x 1/8" ID | 2.79 | 3.18 |
| HL-34001-21 | 33 x 24 | -10 x -18 | 0.19 | 0.51 |
| HL-34001-22 | 30 x 20 | -12 x -26 | 0.25 | 0.89 |
| HL-34001-23 | 24 x 18 | -18 x -30 | 0.51 | 1.14 |
| HL-34001-24 | 20 x 17 | -26 x -34 | 0.89 | 1.42 |
| HL-34001-25 | 18 x 14 | -30 x -42 | 1.14 | 2.06 |
| HL-34001-26 | 17 x 12 | -34 x -48 | 1.42 | 2.79 |
| HL-34001-27 | 14 x 1/8" barb | -42 x 1/8" ID | 2.06 | 3.18 |
| HL-34001-28 | 12 x 3/16" barb | -48 x 3/16" ID | 2.79 | 4.76 |
| C "Y" connectors | | | | |
| HL-34001-31 | 33 | -10 | 0.19 | — |
| HL-34001-32 | 30 | -12 | 0.25 | — |
| HL-34001-33 | 24 | -18 | 0.51 | — |
| HL-34001-34 | 20 | -26 | 0.89 | — |
| HL-34001-35 | 18 | -30 | 1.14 | — |
| HL-34001-36 | 17 | -34 | 1.42 | — |
| HL-34001-37 | 14 | -42 | 2.06 | — |
| HL-34001-38 | 12 | -48 | 2.79 | — |



A
Straight connector



B
Reducer connector



C
"Y" connector

Cole-Parmer® ANIMAL-FREE LUER FITTINGS

Manufactured of animal-free natural polypropylene, these luer fittings meet USP Class VI specifications. Fittings offer superior chemical resistance and are suited for ETO and gamma sterilization (not recommended for autoclaving). Sold in packs of 25.

ANIMAL DERIVED
INGREDIENT FREE



30800-10

| Description | Masterflex® tubing size | Catalog number |
|---|-------------------------|-----------------------------|
| Female luer x hose barb adapters (wide bore) | | |
| Female luer x 1/8" hose barb | L/S® 16 | HL-30800-02 |
| Female luer x 3/16" hose barb | L/S 15, 25 | HL-30800-04 |
| Female luer x 1/4" barb | L/S 17, 24 | HL-30800-06 |
| Female luer x hose barb adapters (high pressure) | | |
| Female luer x 1/8" hose barb | L/S 16 | HL-30800-08 |
| Female luer x hose barb adapters (standard) | | |
| Female luer x 1/4" barb | L/S 17, 24 | HL-30800-10 |
| Male luer lock x hose barb adapters (wide bore) | | |
| Male luer x 1/8" hose barb | L/S 13, 14 | HL-30800-16 |
| Male luer x 1/8" hose barb | L/S 16 | HL-30800-18 |
| Male luer x 3/16" hose barb | L/S 15, 25 | HL-30800-20 |
| Male luer x 1/4" barb | L/S 17, 24 | HL-30800-22 |
| Male luer x hose barb adapters (high pressure) | | |
| Male luer x 1/8" hose barb | L/S 16 | HL-30800-24 |
| Male luer x hose barb adapters (standard) | | |
| Male luer x 1/4" hose barb | L/S 17, 24 | HL-30800-26 |
| Male luer adapters | | |
| Male luer x male luer | — | HL-30800-14 |
| Male luer lock plug | — | HL-30800-30 |

QUICK-DISCONNECT COUPLINGS

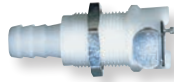
Available in acetal or polypropylene (PP) construction

For each complete quick-disconnect fitting, order one body and one insert with the same flow size. Plug insert into body to connect fitting—fitting halves lock in place immediately.

To disconnect fitting halves, simply press the lever on the coupling body; a spring-operated valve in each fitting half seals the flow path. ("Straight-through" fittings without shutoff valves are also available.) All fitting bodies have 316 stainless steel springs and latches.



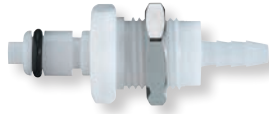
A
Hose barb body



B
Panel-mount hose barb body



C
Hose barb insert



D
Panel-mount hose barb insert

SPECIFICATIONS

| Body material | Acetal | Polypropylene |
|-----------------------------|--------------------|--------------------|
| Seal material | Buna N | EPR |
| Max pressure at 21°C (70°F) | 8.3 bar (120 psi) | 6.9 bar (100 psi) |
| Max vacuum | 718 mm Hg (28" Hg) | 718 mm Hg (28" Hg) |
| Max temp | 82°C (180°F) | 71°C (160°F) |
| Sterilization | Autoclave or ETO | Gamma or ETO |

A Hose Barb Bodies

| Use with Masterflex® sizes | | Catalog number | Flow size | Length (mm) | Resin |
|----------------------------------|--------|-----------------------------|-----------|-------------|--------|
| L/S® | I/P® | | | | |
| Valved fittings | | | | | |
| 13, 14 | — | HL-06360-19 | 1/8" | 35.8 | Acetal |
| 16 | — | HL-06360-20 | 1/8" | 41.9 | Acetal |
| 15, 25 | — | HL-06360-22 | 1/8" | 47.0 | Acetal |
| 17, 24 | 26 | HL-06360-25 | 1/8" | 47.0 | Acetal |
| 17, 24 | 26 | HL-06360-65 | 1/4" | 49.5 | Acetal |
| 18, 35, 36 | 70, 73 | HL-06360-70 | 1/4" | 49.5 | Acetal |
| 13, 14 | — | HL-06364-19 | 1/8" | 35.8 | PP |
| 16 | — | HL-06364-20 | 1/8" | 42.4 | PP |
| 17, 24 | 26 | HL-06364-25 | 1/8" | 47.5 | PP |
| 17, 24 | 26 | HL-06364-65 | 1/4" | 50.0 | PP |
| 18, 35, 36 | 70, 73 | HL-06364-70 | 1/4" | 50.0 | PP |
| Straight-through fittings | | | | | |
| 13, 14 | — | HL-06361-09 | 1/8" | 35.8 | Acetal |
| 16 | — | HL-06361-11 | 1/8" | 41.9 | Acetal |
| 15, 25 | — | HL-06361-12 | 1/8" | 47.0 | Acetal |
| 17, 24 | 26 | HL-06361-13 | 1/8" | 47.0 | Acetal |
| 17, 24 | 26 | HL-06361-51 | 1/4" | 49.5 | Acetal |
| 18, 35, 36 | 70, 73 | HL-06361-53 | 1/4" | 49.5 | Acetal |

B Panel-Mount Hose Barb Bodies

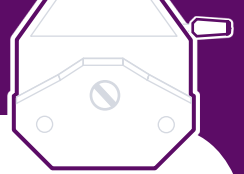
| Use with Masterflex sizes | | Catalog number | Flow size | Thread | Resin |
|----------------------------------|--------|-----------------------------|-----------|--------------|--------|
| L/S | I/P | | | | |
| Valved fittings | | | | | |
| 13, 14 | — | HL-06360-09 | 1/8" | 1/2" - 24 | Acetal |
| 16 | — | HL-06360-10 | 1/8" | 1/2" - 24 | Acetal |
| 15, 25 | — | HL-06360-12 | 1/8" | 1/2" - 24 | Acetal |
| 17, 24 | 26 | HL-06360-15 | 1/8" | 1/2" - 24 | Acetal |
| 17, 24 | 26 | HL-06360-55 | 1/4" | 1 1/16" - 24 | Acetal |
| 18, 35, 36 | 70, 73 | HL-06360-60 | 1/4" | 1 1/16" - 24 | Acetal |
| 13, 14 | — | HL-06364-09 | 1/8" | 1/2" - 24 | PP |
| 16 | — | HL-06364-10 | 1/8" | 1/2" - 24 | PP |
| 17, 24 | 26 | HL-06364-15 | 1/8" | 1/2" - 24 | PP |
| 17, 24 | 26 | HL-06364-55 | 1/4" | 1 1/16" - 24 | PP |
| 18, 35, 36 | 70, 73 | HL-06364-60 | 1/4" | 1 1/16" - 24 | PP |
| Straight-through fittings | | | | | |
| 13, 14 | — | HL-06361-03 | 1/8" | 1/2" - 24 | Acetal |
| 16 | — | HL-06361-04 | 1/8" | 1/2" - 24 | Acetal |
| 15, 25 | — | HL-06361-05 | 1/8" | 1/2" - 24 | Acetal |
| 17, 24 | 26 | HL-06361-06 | 1/8" | 1/2" - 24 | Acetal |
| 17, 24 | 26 | HL-06361-46 | 1/4" | 1 1/16" - 24 | Acetal |
| 18, 35, 36 | 70, 73 | HL-06361-48 | 1/4" | 1 1/16" - 24 | Acetal |

C Hose Barb Inserts

| Use with Masterflex sizes | | Catalog number | Flow size | Length (mm) | Resin |
|----------------------------------|--------|-----------------------------|-----------|-------------|--------|
| L/S | I/P | | | | |
| Valved fittings | | | | | |
| 13, 14 | — | HL-06360-36 | 1/8" | 34.3 | Acetal |
| 16 | — | HL-06360-40 | 1/8" | 39.4 | Acetal |
| 15, 25 | — | HL-06360-43 | 1/8" | 44.5 | Acetal |
| 17, 24 | 26 | HL-06360-45 | 1/8" | 40.1 | Acetal |
| 17, 24 | 26 | HL-06360-80 | 1/4" | 47.2 | Acetal |
| 18, 35, 36 | 70, 73 | HL-06360-85 | 1/4" | 42.7 | Acetal |
| 13, 14 | — | HL-06364-38 | 1/8" | 34.3 | PP |
| 16 | — | HL-06364-40 | 1/8" | 39.4 | PP |
| 17, 24 | 26 | HL-06364-45 | 1/8" | 40.1 | PP |
| 17, 24 | 26 | HL-06364-80 | 1/4" | 47.2 | PP |
| 18, 35, 36 | 70, 73 | HL-06364-85 | 1/4" | 42.4 | PP |
| Straight-through fittings | | | | | |
| 13, 14 | — | HL-06360-38 | 1/8" | 20.3 | Acetal |
| 16 | — | HL-06360-42 | 1/8" | 26.7 | Acetal |
| 15, 25 | — | HL-06360-44 | 1/8" | 31.8 | Acetal |
| 17, 24 | 26 | HL-06360-47 | 1/8" | 34.3 | Acetal |
| 17, 24 | 26 | HL-06360-82 | 1/4" | 34.3 | Acetal |
| 18, 35, 36 | 70, 73 | HL-06360-87 | 1/4" | 34.3 | Acetal |
| 13, 14 | — | HL-06364-39 | 1/8" | 20.3 | PP |
| 16 | — | HL-06364-42 | 1/8" | 26.7 | PP |
| 17, 24 | 26 | HL-06364-47 | 1/8" | 31.8 | PP |
| 17, 24 | 26 | HL-06364-82 | 1/4" | 34.3 | PP |
| 18, 35, 36 | 70, 73 | HL-06364-87 | 1/4" | 34.3 | PP |

D Panel-Mount Hose Barb Inserts

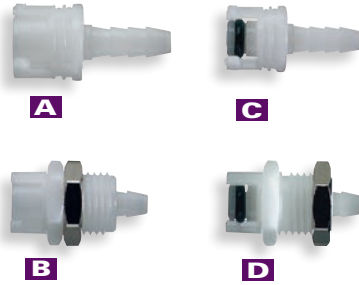
| Use with Masterflex sizes | | Catalog number | Flow size | Length (mm) | Resin |
|----------------------------------|--------|-----------------------------|-----------|-------------|--------|
| L/S | I/P | | | | |
| Valved fittings | | | | | |
| 13, 14 | — | HL-06361-33 | 1/8" | 35.1 | Acetal |
| 16 | — | HL-06361-34 | 1/8" | 41.4 | Acetal |
| 15, 25 | — | HL-06361-35 | 1/8" | 46.5 | Acetal |
| 17, 24 | 26 | HL-06361-36 | 1/8" | 46.5 | Acetal |
| 17, 24 | 26 | HL-06361-71 | 1/4" | 48.5 | Acetal |
| 18, 35, 36 | 70, 73 | HL-06361-73 | 1/4" | 48.5 | Acetal |
| 17, 24 | 26 | HL-06361-92 | 1/4" | 48.5 | PP |
| 18, 35, 36 | 70, 73 | HL-06361-93 | 1/4" | 48.5 | PP |
| Straight-through fittings | | | | | |
| 13, 14 | — | HL-06361-21 | 1/8" | 35.1 | Acetal |
| 16 | — | HL-06361-22 | 1/8" | 41.4 | Acetal |
| 15, 25 | — | HL-06361-23 | 1/8" | 46.5 | Acetal |
| 17, 24 | 26 | HL-06361-24 | 1/8" | 46.5 | Acetal |
| 17, 24 | 26 | HL-06361-58 | 1/4" | 48.5 | Acetal |
| 18, 35, 36 | 70, 73 | HL-06361-61 | 1/4" | 48.5 | Acetal |
| 17, 24 | 26 | HL-06361-82 | 1/4" | 48.5 | PP |
| 18, 35, 36 | 70, 73 | HL-06361-83 | 1/4" | 48.5 | PP |



MINIATURE QUICK-DISCONNECT COUPLINGS

These fittings offer a secure connection and are completely interchangeable. Fittings halves engage and seal with a twist. Once engaged, the coupling allows the tubing to rotate freely to help prevent kinked tubing and accidental disconnections.

For a complete coupling, order one fitting body and one insert.



SPECIFICATIONS

| Body material | Acetal | Polypropylene (PP) |
|-------------------|-------------------------------|----------------------------|
| Color | Natural white | Almond |
| Locking sleeve | Acetal | Acetal |
| Valve | Acetal | Acetal |
| Valve spring | 316 SS | 316 SS |
| O-ring | Buna N | EPDM |
| Temperature range | -40 to 82°C (-40 to 180°F) | 0 to 82°C (32 to 180°F) |

A Hose Barb Bodies

| Use with Masterflex® sizes | | Catalog number | Length (mm) | Resin |
|--------------------------------|--------|-----------------------------|-------------|--------|
| C/L® (tube ID, mm) | L/S® | | | |
| Valved bodies | | | | |
| 1.14, 1.42 | 13, 14 | HL-06363-55 | 22.9 | Acetal |
| 2.06, 2.79 | 16, 25 | HL-06363-57 | 22.9 | Acetal |
| Straight-through bodies | | | | |
| 1.14, 1.42 | 13, 14 | HL-06363-54 | 19.1 | Acetal |
| 2.06, 2.79 | 16, 25 | HL-06363-56 | 22.9 | Acetal |
| 1.14, 1.42 | 13, 14 | HL-06363-62 | 19.1 | PP |
| 2.06, 2.79 | 16, 25 | HL-06363-64 | 22.9 | PP |

B Panel-Mount Hose Barb Bodies

| Use with Masterflex sizes | | Catalog number | Length (mm) | Resin |
|--------------------------------|--------|-----------------------------|-------------|--------|
| C/L (tube ID, mm) | L/S | | | |
| Valved bodies | | | | |
| 1.14, 1.42 | 13, 14 | HL-06363-67 | 22.9 | Acetal |
| 2.06, 2.79 | 16, 25 | HL-06363-69 | 22.9 | Acetal |
| Straight-through bodies | | | | |
| 1.14, 1.42 | 13, 14 | HL-06363-66 | 19.1 | Acetal |
| 2.06, 2.79 | 16, 25 | HL-06363-78 | 22.9 | Acetal |
| 1.14, 1.42 | 13, 14 | HL-06363-76 | 19.1 | PP |

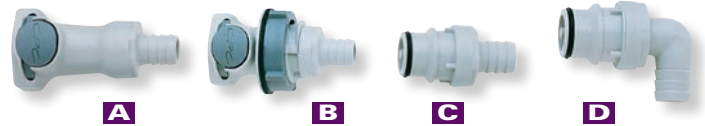
C Hose Barb Inserts

| Use with Masterflex sizes | | Catalog number | Length (mm) | Resin |
|---------------------------------|--------|-----------------------------|-------------|--------|
| C/L (tube ID, mm) | L/S | | | |
| Straight-through inserts | | | | |
| 1.14, 1.42 | 13, 14 | HL-06363-50 | 19.1 | Acetal |
| 2.06, 2.79 | 16, 25 | HL-06363-52 | 22.9 | Acetal |
| 1.14, 1.42 | 13, 14 | HL-06363-58 | 19.1 | PP |
| 2.06, 2.79 | 16, 25 | HL-06363-60 | 22.9 | PP |

D Panel-Mount Hose Barb Inserts

| Use with Masterflex sizes | | Catalog number | Length (mm) | Resin |
|---------------------------------|--------|-----------------------------|-------------|--------|
| C/L (tube ID, mm) | L/S | | | |
| Straight-through inserts | | | | |
| 1.14, 1.42 | 13, 14 | HL-06363-70 | 19.1 | Acetal |
| 2.06, 2.79 | 16, 25 | HL-06363-72 | 22.9 | Acetal |
| 1.14, 1.42 | 13, 14 | HL-06363-80 | 19.1 | PP |
| 2.06, 2.79 | 16, 25 | HL-06363-82 | 22.9 | PP |

HIGH-FLOW QUICK-DISCONNECT COUPLINGS



Plug insert into coupling body to connect—fitting halves lock into place immediately. To disconnect fitting halves, simply press the button on the coupling body. Valved models have a spring-operated 316 SS valve that seals the flow path when fitting halves are disengaged.

SPECIFICATIONS

| Body material | Polypropylene | Polysulfone |
|-------------------|----------------------------|--------------------------------|
| Temperature range | 0 to 71°C (32 to 160°F) | -40 to 137°C (-40 to 280°F) |
| Max pressure | 4.1 bar (60 psi) | 8.6 bar (125 psi) |
| Max vacuum | 699 mm Hg (27.5" Hg) | |
| Sterilization | Gamma or ETO | Autoclave, gamma, or ETO |

A Hose Barb Bodies

| Use with Masterflex® sizes | | | Polypropylene | Polysulfone |
|--------------------------------|--------|------|-----------------------------|-----------------------------|
| L/S® | I/P® | B/T® | Catalog number | |
| Valved bodies | | | | |
| 18, 36 | 70, 73 | — | HL-31303-10 | HL-31307-10 |
| — | 82, 88 | 87 | HL-31303-11 | HL-31307-11 |
| — | 89 | — | HL-31303-12 | HL-31307-12 |
| — | — | 91 | HL-31303-13 | HL-31307-13 |
| Straight-through bodies | | | | |
| 18, 36 | 70, 73 | — | HL-31303-15 | HL-31307-15 |
| — | 82, 88 | 87 | HL-31303-16 | HL-31307-16 |
| — | 89 | — | HL-31303-17 | HL-31307-17 |
| — | — | 91 | HL-31303-18 | HL-31307-18 |

B Bulkhead Panel-Mount Hose Barb Bodies

| Use with Masterflex sizes | | | Polypropylene | Polysulfone |
|--------------------------------|--------|-----|-----------------------------|-----------------------------|
| L/S | I/P | B/T | Catalog number | |
| Valved bodies | | | | |
| 18, 36 | 70, 73 | — | HL-31303-20 | HL-31307-20 |
| — | 82, 88 | 87 | HL-31303-21 | HL-31307-21 |
| — | 89 | — | HL-31303-22 | HL-31307-22 |
| — | — | 91 | HL-31303-23 | HL-31307-23 |
| Straight-through bodies | | | | |
| 18, 36 | 70, 73 | — | HL-31303-25 | HL-31307-25 |
| — | 82, 88 | 87 | HL-31303-26 | HL-31307-26 |
| — | 89 | — | HL-31303-27 | HL-31307-27 |
| — | — | 91 | HL-31303-28 | HL-31307-28 |

C Hose Barb Inserts

| Use with Masterflex sizes | | | Polypropylene | Polysulfone |
|---------------------------------|--------|-----|-----------------------------|-----------------------------|
| L/S | I/P | B/T | Catalog number | |
| Valved inserts | | | | |
| 18, 36 | 70, 73 | — | HL-31303-45 | HL-31307-45 |
| — | 82, 88 | 87 | HL-31303-46 | HL-31307-46 |
| — | 89 | — | HL-31303-47 | HL-31307-47 |
| — | — | 91 | HL-31303-48 | HL-31307-48 |
| Straight-through inserts | | | | |
| 18, 36 | 70, 73 | — | HL-31303-40 | HL-31307-40 |
| — | 82, 88 | 87 | HL-31303-41 | HL-31307-41 |
| — | 89 | — | HL-31303-42 | HL-31307-42 |
| — | — | 91 | HL-31303-43 | HL-31307-43 |

D Elbow Hose Barb Inserts

| Use with Masterflex sizes | | | Polypropylene | Polysulfone |
|---------------------------------|--------|-----|-----------------------------|-----------------------------|
| L/S | I/P | B/T | Catalog number | |
| Valved inserts | | | | |
| 18, 36 | 70, 73 | — | HL-31303-55 | HL-31307-55 |
| — | 82, 88 | 87 | HL-31303-56 | HL-31307-56 |
| Straight-through inserts | | | | |
| 18, 36 | 70, 73 | — | HL-31303-50 | HL-31307-50 |
| — | 82, 88 | 87 | HL-31303-51 | HL-31307-51 |

BARBLOCK™ ULTRA-SECURE TUBING RETAINERS

Uniform 360° compression for leak-free connection to barbed fittings

- ▶ Easy to install—ensures that tubing and fitting will not disengage
- ▶ Provides seven times the pull resistance of cable ties without crimps or distortion
- ▶ Compatible with single- or multi-tiered barbed fittings

BarbLock assemblies provide uniform 360° mechanical compression for a leak-free, durable seal, unlike cable ties or clamps. Fitting will not leak or blow off. Ideal for filtration, since retainer holds tight even with increasing back pressure as filter clogs.

To install the fitting, slide the sleeve and collet onto the tubing and then insert the barbed fitting into the tubing. Slide the sleeve and collet to the edge of the barbed fitting and lock with the BarbLock assembly tool. Once assembled, the BarbLock assembly can only be unlocked with the universal removal tool (order at right).

BarbLock assemblies meet USP Class VI standards. Sterilize by radiation, steam, or ethylene oxide (ETO) gas. Pack of 1 each.



BarbLock retainer tool 30604-12

BarbLock retainer 30604-04



Platinum-cured silicone tubing 96410-73 shown with BarbLock retainer 30604-04 and quick-disconnect fitting 06360-91.

ORDERING INFORMATION for Tubing Retainers

| Catalog number | Use with Masterflex® pump tubing size | Use with fitting type |
|-----------------------------|---------------------------------------|--|
| HL-30604-01 | L/S® 16 | Any barbed fitting |
| HL-30604-00 | L/S 17 and L/S 15 | |
| HL-30604-02 | L/S 24 | |
| HL-30604-04 | I/P® 73 | |
| HL-30604-06 | I/P 82 and I/P 70 | |
| HL-30604-08 | I/P 82 and I/P 70 | Quick-disconnects only (see pages 164–165) |

ORDERING INFORMATION for Retainer Tools

| Catalog number | BarbLock assembly tool for use with |
|-----------------------------|-------------------------------------|
| HL-30604-18 | L/S 16 tubing |
| HL-30604-10 | L/S 15, L/S 17, and L/S 24 tubing |
| HL-30604-12 | I/P 73 tubing |
| HL-30604-14 | I/P 82 tubing |
| HL-30604-16 | Universal BarbLock removal tool |

SOLENOID TWO-WAY PINCH VALVES

Specifically designed to work with Masterflex® pump tubing

- ▶ Use with tubing that has durometer rating of 50 or less such as C-FLEX® or silicone—0.5 bar (7.25 psi) max
- ▶ Excellent for clean processes—fluid stays contained within tubing
- ▶ Use for on/off flow control applications



98306-16

98306-02

| Tube size | Response time | Watts | 12 VDC valves | 24 VDC valves |
|------------------------|---------------|-------|-----------------------------|-----------------------------|
| | | | Catalog number | Catalog number |
| Normally closed | | | | |
| L/S 14 | 30 to 50 msec | 10 | HL-98306-00 | HL-98306-02 |
| L/S 16 | | | HL-98306-08 | HL-98306-10 |
| L/S 25 | | | HL-98306-16 | HL-98306-18 |
| L/S 17 | | | HL-98306-24 | HL-98306-26 |
| Normally open | | | | |
| L/S 14 | 30 to 50 msec | 10 | HL-98306-04 | HL-98306-06 |
| L/S 16 | | | HL-98306-12 | HL-98306-14 |
| L/S 25 | | | HL-98306-20 | HL-98306-22 |
| L/S 17 | | | HL-98306-28 | HL-98306-30 |

CLAMPS FOR HOSE BARB FITTINGS

Plastic Clamps

Lightweight, reusable.
Rust- and corrosion-resistant acetal copolymer.
Temperature range:
0 to 93°C (32 to 200°F).



06832-06

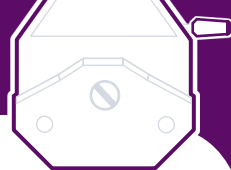
Stainless Steel Clamps

Rugged, reusable, wide temperature range. Corrosion-resistant 300-series 1.3-cm (1/2") wide band. Screw adjusts with slotted screwdriver.



06403-11

| Use with Masterflex® tubing size | Plastic | | Stainless steel | |
|----------------------------------|-----------------------------|--------|-----------------------------|--------|
| | Cat. no. | Qty/pk | Cat. no. | Qty/pk |
| L/S 16 | HL-06832-01 | 100 | HL-06403-11 | 10 |
| L/S 25 | HL-06832-03 | | | |
| L/S 15, L/S 17 | HL-06832-02 | | | |
| L/S 24, 18, 35; I/P 26 | HL-06832-06 | | | |
| L/S 36 | HL-06832-08 | 100 | HL-06403-12 | 10 |
| I/P 73 | HL-06832-10 | | | |
| I/P 70 | HL-06832-14 | | | |
| I/P 82 | HL-06832-16 | | | |
| I/P 88 | HL-06832-20 | | | |
| I/P 89; B/T® 87 | HL-06832-22 | | | |
| B/T 91 | HL-06832-34 | 50 | HL-06403-13 | 10 |



PURE-FIT® TC TUBING CLAMPS

Install easily over existing tubing lines or assemblies

- ▶ Smooth contours eliminate risk of puncture or rupture
- ▶ Fully sterilizable
- ▶ Meet USP Class IV criteria



The Pure-Fit TC clamp has a press-down locking mechanism that provides complete fluid stoppage. Its side-release mechanism ensures against unwanted opening. The open design can be installed over existing fittings or finished tubing assemblies, eliminating costly downtime. Available sizes handle two tubing ranges.

Available in polypropylene (PP) or PVDF. Sterilize PP by gamma irradiation only; PVDF may be sterilized by gamma irradiation or autoclaving. Sold in pack of 10.

| Catalog number | Fits Masterflex® tubing sizes | Material |
|-----------------------------|--|---------------|
| HL-06822-01 | L/S® 13, 14, 15, 16, 17, 25 | Polypropylene |
| HL-06822-03 | | PVDF |
| HL-06822-11 | L/S 18, 24, 35, 36; I/P® 26, 70, 73, 82 | Polypropylene |
| HL-06822-13 | | PVDF |

PURE-FIT® TRU VALVE

Easy to implement with installed assemblies and systems

- ▶ Reusable for multiple cycles and applications

With the Pure-Fit Tru valve, you no longer need to worry about a time-consuming retrofit to your system. The valve's butterfly design allows easy installation to existing lines; purity is maintained because the valve goes around the exterior of the tubing and never comes in contact with process fluid.

Simple threaded handle and calibrated scale ensure accurate control of flow and can also be written into validation protocols. The valve also features lockout positioning for use in steam-in-place (SIP) cycles. Its lightweight borosilicate glass-reinforced nylon construction reduces stress on your tubing line due to weight imbalance but is sturdy enough to withstand autoclaving or gamma irradiation. Accommodates any flexible tubing up to 17.8 mm (0.700") in outer diameter.



20002-00

| Catalog number | Fits Masterflex® tubing sizes | Material |
|-----------------------------|--|------------------------|
| HL-20002-00 | L/S® 13, 14, 15, 16, 17, 18, 24, 25, 35, 36; I/P® 26, 73 | Glass-reinforced nylon |

TUBING WEIGHTS

Flow-through weights of PTFE keep tubing in place in receiving vessel during dispense cycles. Fit Masterflex L/S tubing sizes noted.



| Catalog number | Description |
|-----------------------------|---|
| HL-78226-81 | Weight for L/S 16, 15, and 25 |
| HL-78226-82 | Weight for L/S 17, 18, 24, 35, 36 |
| HL-77310-03 | Set of two; one each of 78226-81 and 78226-82 |



Solutions for Your Solution

FILLER/DISPENSING

NOZZLES

Maximize the speed, precision, and accuracy of dispensing and filling applications

- ▶ Minimize splashing and dripping when dispensing into narrow- or wide-mouth containers
- ▶ Dimensional tolerances of ±0.05% for assured repeatability

These nozzles combine the ease of plastic components with the accuracy and reliability of stainless steel filler needles. Tight dimensional tolerances help to ensure precision in your dispensing applications. Nozzles feature a 316L stainless steel tube and a polycarbonate base with hose barb adapter. Compliant with FDA, USDA and USP Class VI requirements. All filler nozzles are sterilizable by ethylene oxide, autoclaving, or gamma irradiation.



30619-02

| Catalog number | Fits tubing ID | Fits Masterflex® tubing sizes |
|-----------------------------|----------------|---------------------------------|
| HL-30619-06 | 1/32" | L/S® 13 |
| HL-30619-01 | 1/16" | L/S 14 |
| HL-30619-07 | 1/8" | L/S 16 |
| HL-30619-02 | 3/16" | L/S 15, 25 |
| HL-30619-08 | 1/4" | L/S 17, 24; I/P® 26 |
| HL-30619-03 | 5/16" | L/S 35 |
| HL-30619-09 | 3/8" | L/S 18, 36; I/P 70, 73; B/T® 86 |
| HL-30619-04 | 1/2" | I/P 82, 88; B/T 87 |
| HL-30619-10 | 5/8" | I/P 89 |
| HL-30619-05 | 3/4" | B/T 91 |

TUBING RACKS

An easy solution to secure and route multiple tubing lines



Tubing rack 06432-04



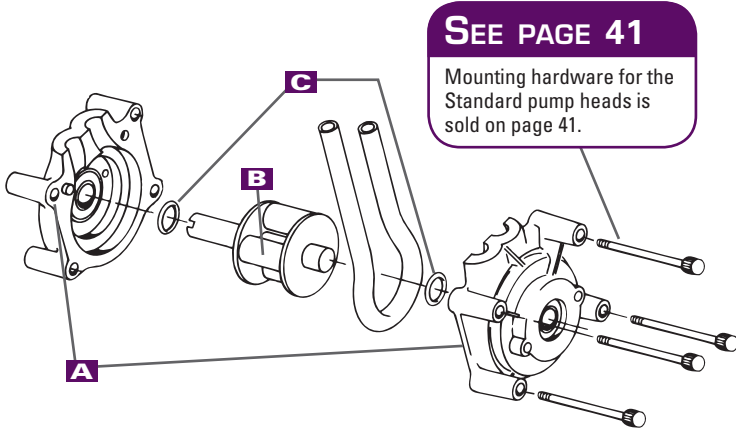
Some racks separate easily for more convenient, customized tubing retainers.

These tube racks offer a simple and economical method for organizing your tubing lines. Tubing racks 06432-02, -03, and -07 can be easily separated down to single holders by hand for increased flexibility and custom tubing arrangements. Some sizes are available with adhesive fastener, and all sizes are available with through holes for secure mounting (mounting screws are not included). Sold in pack of 10.

| Catalog number | Tubing size | Fastener | No. of channels |
|-----------------------------|------------------------|---------------|-----------------|
| HL-06432-02 | L/S 14 | Through holes | 10 |
| HL-06432-07 | | Adhesive | 10 |
| HL-06432-03 | L/S 13, 16, 25 | Through holes | 10 |
| HL-06432-08 | | Adhesive | 10 |
| HL-06432-04 | L/S 15, 17, 18, 24, 36 | Through holes | 7 |
| HL-06432-05 | L/S 35; I/P 26 | Through holes | 5 |

REPLACEMENT PARTS FOR L/S® AND I/P® PUMP HEADS

L/S STANDARD PUMP HEAD PARTS



A End Bell Assemblies. Two required for a complete head assembly.

| For pump heads with CRS rollers | | For pump heads with SS rollers | |
|---------------------------------|-----------------------------|--------------------------------|-----------------------------|
| For pump heads | Catalog number | For pump heads | Catalog number |
| 07013-20 | HL-07013-81 | 07013-21 | HL-07013-91 |
| 07014-20 | HL-07014-81 | 07014-21 | HL-07014-91 |
| 07015-20 | HL-07015-81 | 07015-21 | HL-07015-91 |
| 07016-20 | HL-07016-81 | 07016-21 | HL-07016-91 |
| 07017-20 | HL-07017-81 | 07017-21 | HL-07017-91 |
| 07018-20 | HL-07018-81 | 07018-21 | HL-07018-91 |
| 07024-20 | HL-07024-81 | 07024-21 | HL-07024-91 |
| — | — | 07035-21 | HL-07035-91 |

B Rotor Assemblies. Cold-rolled steel (CRS) or stainless steel (SS).

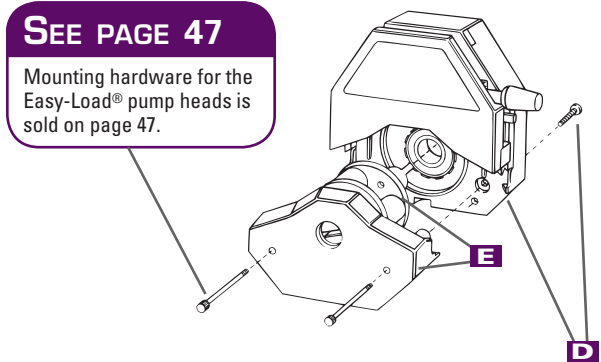
| For pump heads with CRS rollers | | For pump heads with SS rollers | |
|---------------------------------|-----------------------------|--------------------------------|-----------------------------|
| For models | Catalog number | For models | Catalog number |
| 07013-20, -42 | HL-07013-80 | 07013-21, -52 | HL-07013-95 |
| 07014-20, -42 | | 07014-21, -52 | |
| 07016-20, -42 | | 07016-21, -52 | |
| 07017-20, -42 | | 07017-21, -52 | |
| 07018-20, -42 | | 07018-21, -52 | |
| 07015-20, -42 | HL-07015-80 | 07015-21, -52 | HL-07015-90 |
| 07024-20, -42 | | 07024-21, -52 | |
| 07035-20 | | 07035-21 | |

C Thrust Washers

| Catalog number | Description |
|-----------------------------|----------------|
| HL-07021-04 | Thrust washers |

[HL-07019-90](#) L/S tubing loading key for Standard pump heads

L/S EASY-LOAD® PUMP HEAD PARTS



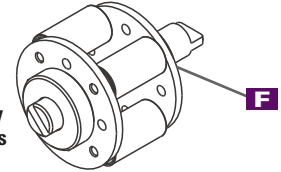
D-E Main Body and Rotor/Bearing Assemblies

| For pump heads | Body/bearing material [†] | Catalog number |
|---|------------------------------------|-----------------------------|
| D Main body assemblies. Occlusion bed with rear bearings and screws. | | |
| 07518-00, -02, -20, -22 | PSF/CRS | HL-07518-07 |
| 07518-10, -12, -30, -32 | PSF/SS | HL-07518-17 |
| 07518-60, -62, -80, -82 | PPS/SS | HL-07518-67 |

| E Rotor/bearing support assemblies | | |
|---|------------------------------------|-----------------------------|
| For pump heads | Body/bearing material [†] | Catalog number |
| 07518-00 | PSF/CRS | HL-07518-08 |
| 07518-10 | PSF/SS | HL-07518-18 |
| 07518-02, -12 | PSF/SS | HL-07518-19 |
| 07518-60 | PPS/SS | HL-07518-68 |
| 07518-62 | PPS/SS | HL-07518-69 |

L/S EASY-LOAD® II PUMP HEAD PARTS

Replacement rotor assembly for Easy-Load® II pump heads



F Rotor Assemblies

| For pump head | Body/rotor material [†] | Catalog number |
|--------------------|----------------------------------|-----------------------------|
| 77200-50 | PPS/CRS | HL-77200-58 |
| 77200-52 | | HL-77200-59 |
| 77200-60, 77201-60 | PPS/SS | HL-77200-68 |
| 77200-62, 77201-62 | | HL-77200-69 |

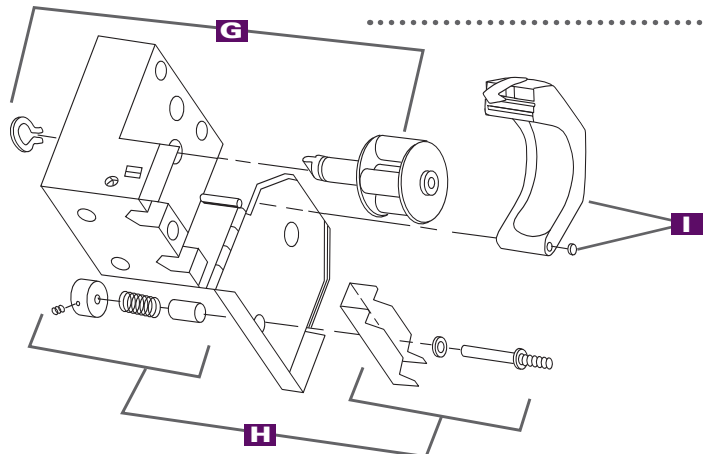
[†]PPS—Polyphenylene sulfide PSF—Polysulfone PC—Polycarbonate
CRS—Cold-rolled steel SS—Stainless steel

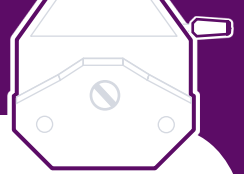
Tubing Retainer Kits (not shown)

| For pump head | Catalog number |
|------------------------------|-----------------------------|
| 77200-50, 77200-60, 77201-60 | HL-77200-90 |
| 77200-52, 77200-62, 77201-62 | HL-77200-92 |
| 77202-50, 77202-60 | HL-77200-94 |

L/S HIGH-PERFORMANCE 77250-62 PUMP HEAD PARTS

- [HL-77250-69](#) Rotor assembly with clip
- [HL-77250-66](#) Tubing retainer kit
- [HL-77250-67](#) Occlusion bed assembly with clip
- [HL-77250-01](#) Mounting screws (not shown)





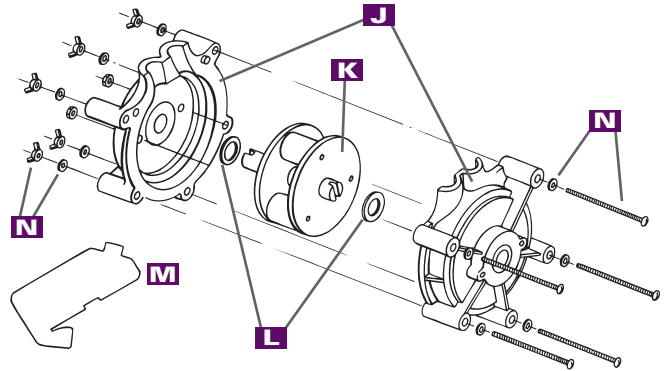
I/P STANDARD 07019-SERIES PUMP HEAD PARTS

J End Bell Assemblies. Two required for a complete head assembly.

| For pump heads | Housing material† | Catalog number |
|-------------------------|-------------------|-----------------------------|
| 07019-00, -20 | PC/CRS | HL-07019-78 |
| 07019-01, -21 | PC/SS | HL-07019-79 |
| 07019-40, -41, -42, -43 | PPS/SS | HL-07019-73 |
| 07019-25, -32 | PC/CRS | HL-07019-74 |
| 07019-26, -31 | PC/SS | HL-07019-75 |
| 07019-35, -36, -51, -53 | PPS/SS | HL-07019-77 |

K Rotor Assemblies

| For pump heads | Housing material† | Catalog number |
|-------------------------|-------------------|-----------------------------|
| 07019-20, -32, -36, -40 | CRS | HL-07019-82 |
| 07019-21, -31, -43, -53 | SS | HL-07019-85 |



L HL-07019-92 Thrust washers. Pack of 10

M HL-07019-90 Tubing loading key. Use to properly install tubing in pump head.

N Mounting hardware (Stainless steel) for all I/P Standard pump heads. Includes five #10-24 mounting screws with #10 washers and wing nuts

[HL-07019-95](#) For mounting one head

[HL-07019-96](#) For mounting two heads

[HL-77600-03](#) Replacement tang boots (not shown). Pack of 10

I/P EASY-LOAD® 77601-SERIES PUMP HEAD PARTS

O Main Body/Occlusion Bed Assemblies with rear bearing

| For pump heads | Housing material† | Catalog number |
|----------------|-------------------|-----------------------------|
| 77601-00, -02 | PSF/CRS | HL-77601-07 |
| 77601-10, -12 | PSF/SS | HL-77601-17 |
| 77601-60, -62 | PPS/SS | HL-77601-67 |

P Rotor/Bearing Support Assemblies for short shaft pump heads

| For pump head | Housing material† | Catalog number |
|---------------|-------------------|-----------------------------|
| 77601-00 | PSF/CRS | HL-77601-08 |
| 77601-10, -12 | PSF/SS | HL-77601-18 |
| 77601-60 | PPS/SS | HL-77601-68 |

Q Tubing Retainer Kit. Includes two retainer assemblies, PSF and PPS back plates and screws.

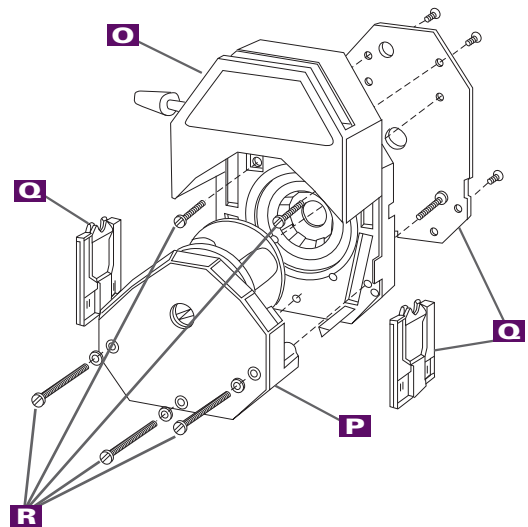
| Pump head material | Catalog number |
|---|-----------------------------|
| Polysulfone (PSF) and Polyphenylene sulfide (PPS) | HL-77601-06 |

R Mounting hardware (Stainless steel) for I/P Easy-Load 77601-series pump heads. Includes five #10-24 mounting screws.

| Number of heads to be mounted | Catalog number |
|-------------------------------|-----------------------------|
| One | HL-77601-95 |
| Two | HL-77601-96 |

†PPS—Polyphenylene sulfide PSF—Polysulfone PC—Polycarbonate
CRS—Cold-rolled steel SS—Stainless steel

[HL-77600-03](#) Replacement tang boots (not shown). Pack of 10



I/P HIGH-PERFORMANCE 77600-62 PUMP HEAD PARTS

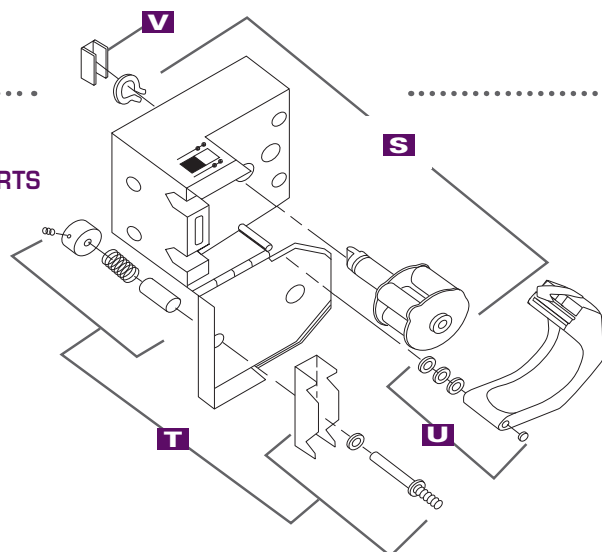
S HL-77600-69 Rotor/Body kit (includes rotor/body assembly with tang boot)

T HL-77600-66 Tubing retainer kit (includes retainer, adjusting screw, spacer, spring, washers, and knob)

U HL-77600-67 Occlusion bed assembly kit (includes occlusion bed assembly, washers, and retaining clip)

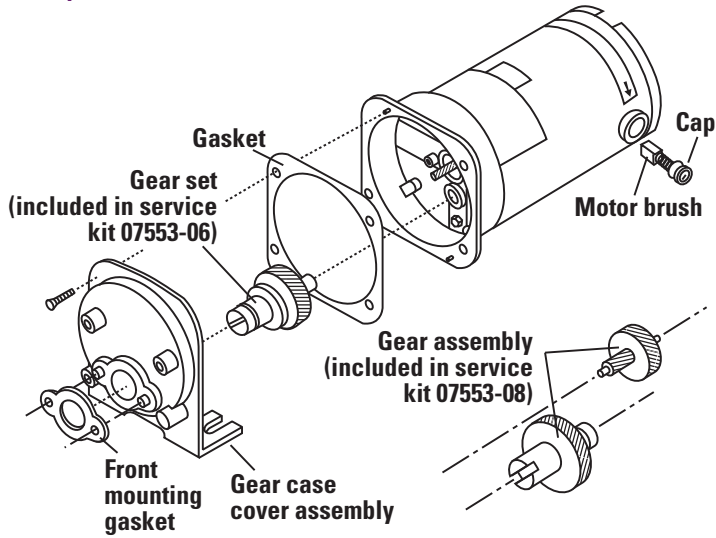
V HL-77600-03 Replacement tang boot. Pack of 10.

[HL-77600-01](#) Mounting screws (not shown). Set of four #10-24 screws



REPLACEMENT PARTS FOR MASTERFLEX® DRIVES

L/S® GEAR SERVICE KITS



HL-07553-06 Service kit for 600 rpm drives listed below. Contains gear assembly (nylon gear/shaft), gear case cover gasket, replacement fuse, and instructions

HL-07553-09 Gear only (nylon gear)

| Masterflex® L/S® drives, 6 to 600 rpm | | |
|---------------------------------------|--|-----------------------------------|
| 07520-00, -20, -25, -40, -45 | 07524-40, -45 | 07554-00, -02, -20, -90, -95 |
| 07520-47, -60, -65, -67 | 07525-34, -36 | 07557-00, -60 |
| 07521-00, -25, -40, -45, -47 | 07526-00, -05 | 07558-15, -25, -35, -40, -45, -50 |
| 07522-10, -15, -20 | 07527-00, -20, -30, -32, -34, -36 | 07558-55, -70, -75 |
| 07523-00, -02, -20, -25, -27 | 07528-00, -05, -10 | 07562-00 |
| 07562-00 | 07531-00 | 07569-00 |
| 07523-40, -47, -60, -80 | 07532-00, -02 | 77301-40, -50 |
| | 07533-30, -40, -60, -80 | 77521-40, -47 |
| | 07550-10, -17, -30 | |
| | 07551-00 | |
| | 07552-02, -04, -70, -75 | |
| | 07553-00, -02, -04, -20, -70, -75, -77 | |

HL-07553-08 Service kit for 100 rpm drives listed below. Contains two gear assemblies (large and small), two gear case cover gaskets, one vial of high-temperature silicone grease, and instructions

| Masterflex® L/S® drives, 1 to 100 rpm | | |
|---------------------------------------|------------------------------|--------------------|
| 07520-10, -30, -35, -50, -55, -57 | 07525-30, -32 | 07553-87, -89 |
| 07521-10, -30, -35, -50, -55, -57 | 07528-30 | 07554-12, -30 |
| 07522-00, -05, -30 | 07531-10 | 07557-10, -70 |
| 07523-10, -12, -30, -35, -70, -90 | 07532-10, -12 | 07558-80, -85 |
| 07523-37, -50, -57, -70, -90 | 07533-10, -20, -50, -70 | 07562-10 |
| 07524-50, -55 | 07550-20, -22, -50 | 07567-70, -80, -95 |
| | 07551-10 | 77521-50, -57 |
| | 07553-12, -14, -30, -80, -85 | |

HL-77300-01 Service kit for 10 to 600 rpm digital modular drives 77301-20 and 77301-30. Contains gear assembly (nylon gear/shaft), gear case cover gasket, and instructions

INNOCAL®

Preventive Maintenance Package for Masterflex® L/S® Pumps

Experienced, factory-trained technicians perform preventive maintenance activities including safety inspection, replacement or service of wearable parts, asset tagging, and a detailed Service Inspection Report. See page 109 for more information.

HL-17110-00 Pump preventive maintenance package

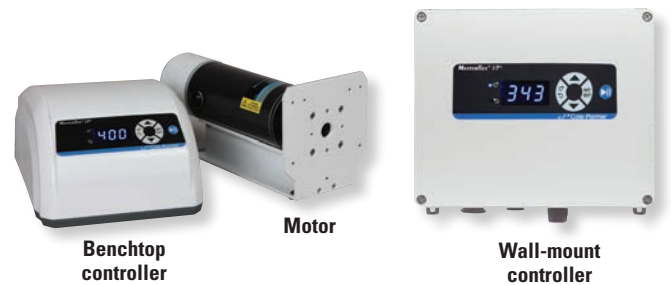
L/S® AND I/P® MODULAR DRIVE REPLACEMENT MOTORS



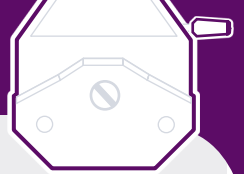
| For modular drive | Motor speed (rpm) | Motor Cat. no. |
|------------------------------|-------------------|-----------------------------|
| L/S modular drives | | |
| 07552-70 | 600 | HL-07552-02 |
| 07552-75 | 600 | HL-07552-04 |
| 07553-20, -70 | 600 | HL-07553-02 |
| 07558-15, -30, -35, -50, -70 | 600 | HL-07553-02 |
| 07553-10, -30, -80 | 100 | HL-07553-12 |
| 07558-80 | 100 | HL-07553-12 |
| 07567-50, -70, -90 | 100 | HL-07553-12 |
| 07553-75 | 600 | HL-07553-04 |
| 07558-25, -45, -55, -75 | 600 | HL-07553-04 |
| 07553-85; 07567-95; 07558-85 | 100 | HL-07553-14 |
| 07553-77 | 600 | HL-07553-79 |
| 07553-87 | 100 | HL-07553-89 |

| | | |
|-----------------------------------|-----|-----------------------------|
| L/S digital modular drives | | |
| 77301-20, -30 | 600 | HL-77301-21 |
| I/P modular drives | | |
| 07591-00, -10 | 650 | HL-07591-50 |
| 07591-07, -15 | 650 | HL-07591-55 |
| I/P digital modular drives | | |
| 07592-20, -30 | 650 | HL-07592-40 |
| 07592-27, -35 | 650 | HL-07592-45 |

L/S® AND I/P® MODULAR DRIVE REPLACEMENT COMPONENTS



| For modular drive | Controller Cat. no. | Motor Cat. no. |
|--------------------------------------|-----------------------------|-----------------------------|
| L/S precision modular drives | | |
| 07557-00 | HL-07557-04 | HL-07557-02 |
| 07557-10 | HL-07557-14 | HL-07557-12 |
| 07557-60 | HL-07557-64 | HL-07557-62 |
| 07557-70 | HL-07557-74 | HL-07557-72 |
| L/S modular dispensing drives | | |
| 77301-40 | HL-77301-44 | HL-77301-42 |
| 77301-50 | HL-77301-54 | HL-77301-52 |
| I/P precision modular drives | | |
| 07591-20 | HL-07591-24 | HL-07591-22 |
| 07591-30 | HL-07591-34 | HL-07591-32 |
| I/P modular dispensing drives | | |
| 07594-00 | HL-07594-04 | HL-07594-02 |
| 07594-10 | HL-07594-14 | HL-07594-12 |



FUSES



| For Masterflex® drive(s) | Fuse Cat. no. (Pack of 2) | Fuse rating | Size | Type |
|-----------------------------------|-----------------------------|--------------|-----------|----------|
| 07520-40, -50, -60 | HL-77500-25 | 3.15 A/250 V | 5 x 20 mm | Slo-Blo |
| 07520-47, -57, -67 | HL-77500-11 | 1.6 A/250 V | 5 x 20 mm | Slo-Blo |
| 07523-40, -50, -60, -70, -80, -90 | HL-77500-25 | 3.15 A/250 V | 5 x 20 mm | Slo-Blo |
| 07523-47, -57 | HL-77500-11 | 1.6 A/250 V | 5 x 20 mm | Slo-Blo |
| 07524-40, -50 | HL-77500-25 | 3.15 A/250 V | 5 x 20 mm | Slo-Blo |
| 07524-45, -55 | HL-77500-11 | 1.6 A/250 V | 5 x 20 mm | Slo-Blo |
| 07528-10, -20, -30 | HL-77500-25 | 3.15 A/250 V | 5 x 20 mm | Slo-Blo |
| 07549-44, -64 | HL-77500-06 | 3 A/250 V | 3 AG | Standard |
| 07550-30, -50 | HL-77500-25 | 3.15 A/250 V | 5 x 20 mm | Slo-Blo |
| 07551-00, -10 | HL-77500-25 | 3.15 A/250 V | 5 x 20 mm | Slo-Blo |
| 07552-70, -71 | HL-77500-06 | 3 A/250 V | 3 AG | Standard |
| 07552-75, -76 | HL-77500-12 | 1.5 A/250 V | 3 AG | Standard |
| 07553-75, -76, -77, -85, -87 | HL-77500-11 | 1.6 A/250 V | 5 x 20 mm | Slo-Blo |
| 07554-80, -90 | HL-77500-10 | 2.0 A/125 V | 3 AG | Slo-Blo |
| 07554-85, -95 | HL-77500-58 | 1 A/250 V | 5 x 20 mm | Slo-Blo |
| 07575-00, -10 | HL-77500-25 | 3.15 A/250 V | 5 x 20 mm | Slo-Blo |
| 07591-00, -10, -60, -70 | HL-77500-02 | 5 A/250 V | 3 AG | Slo-Blo |
| 07591-05, -07, -15, -65, -67, -75 | HL-77500-08 | 2.5 A/250 V | 5 x 20 mm | Slo-Blo |
| 07592-20, -30, -82, -90 | HL-77500-24 | 6.3 A/250 V | 5 x 20 mm | Slo-Blo |
| 07592-27, -35, -85, -95 | HL-77500-25 | 3.15 A/250 V | 5 x 20 mm | Slo-Blo |
| 77111-10, -37, -40 | HL-77500-27 | 8 A/250 V | 5 x 20 mm | Slo-Blo |
| 77111-30 | HL-77500-30 | 15 A/250 V | 5 x 20 mm | Slo-Blo |
| 77111-47, -67 | HL-77500-26 | 4 A/250 V | 5 x 20 mm | Slo-Blo |
| 77111-60 | HL-77500-28 | 8 A/250 V | 3 AG | Slo-Blo |
| 77300-20, -30 | HL-77500-25 | 3.15 A/250 V | 5 x 20 mm | Slo-Blo |
| 77300-25, -35 | HL-77500-11 | 1.6 A/250 V | 5 x 20 mm | Slo-Blo |
| 77301-20, -22, -23, -30 | HL-77500-25 | 3.15 A/250 V | 5 x 20 mm | Slo-Blo |
| 77310-00, -01 | HL-77500-08 | 2.5 A/250 V | 5 x 20 mm | Slo-Blo |
| 77340-00 | HL-77500-08 | 2.5 A/250 V | 5 x 20 mm | Slo-Blo |
| 77410-00, -10 | HL-77500-24 | 6.3 A/250 V | 5 x 20 mm | Slo-Blo |
| 77410-05 | HL-77500-25 | 3.15 A/250 V | 5 x 20 mm | Slo-Blo |
| 77411-00 | HL-77500-24 | 6.3 A/250 V | 5 x 20 mm | Slo-Blo |
| 77420-00 | HL-77500-24 | 6.3 A/250 V | 5 x 20 mm | Slo-Blo |
| 77521-40, -50 | HL-77500-25 | 3.15 A/250 V | 5 x 20 mm | Slo-Blo |
| 77521-47, -57 | HL-77500-11 | 1.6 A/250 V | 5 x 20 mm | Slo-Blo |

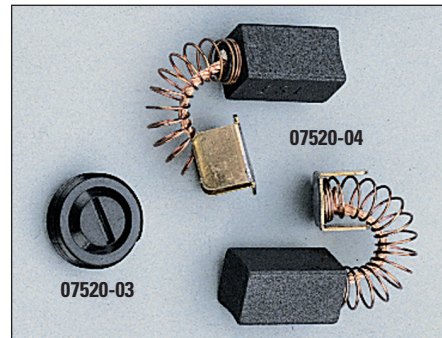
TANG ADAPTERS



Tang adapter kit provides a tight tang shaft connection and reduces noise. Includes two large and two small adapters. Use large adapter for 75 W systems; small adapter for 37 W systems.

| Cat. no. | Fit pump head series/model |
|-----------------------------|--|
| HL-07519-01 | 07090-42, -62 07519-05, -06, -10, -15, -20, -25 |

BRUSH CAPS AND BRUSHES



Brush Caps work with all 1/20 hp (37 W), 1/10 hp (75 W), and 1/8 hp (150 W) drive series listed below. Pack of 2.

| Cat. no. | Fit drive series/model | | | |
|-----------------------------|------------------------|---------------------|--------------------|-------|
| HL-07520-03 | 07520 | 07526 | 07554 [†] | 75210 |
| | 07521 | 07550 [†] | 07591 | 75211 |
| | 07523 | 07552 | 07592 | 77300 |
| | 07524 ^{††} | 07553 ^{††} | 07593 | 77521 |

Brushes work with all 1/20 hp (37 W), 1/10 hp (75 W), and 1/8 hp (150 W) drive series listed below. Pack of 2.

| Cat. no. | Fit drive series/model | | | |
|-----------------------------|------------------------|---------------------|--------------------|-------|
| HL-07520-04 | 07520 | 07526 | 07554 [†] | 75210 |
| | 07521 | 07550 [†] | 07591 | 75211 |
| | 07523 | 07552 | 07592 | 77300 |
| | 07524 ^{††} | 07553 ^{††} | 07593 | 77521 |

[†]Except 07554-52, -60, -80, -85, -90, -95

[†]Except 07550-60, -62, -67, -90, -92

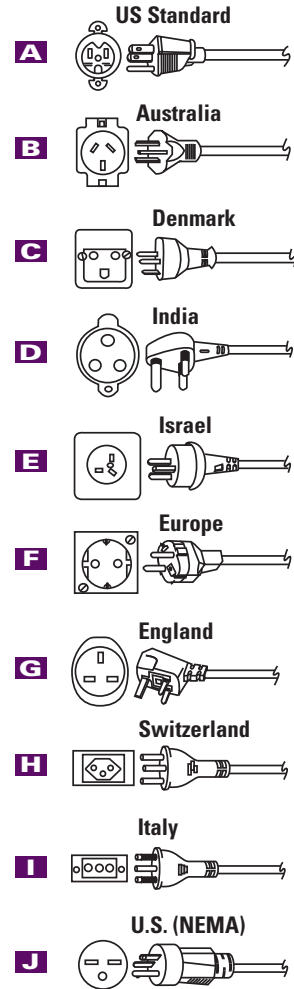
^{††}Except 07524-00, -05, -10, -15

^{††}Except 07553-50, -60

POWER CORD/PLUG SETS

A detachable cord/plug set will automatically be included with most 230 VAC drives and will be selected based on the country of destination. Below is a reference table of the available cord/plug sets. Cord/plug sets feature a country-specific male plug on one end and an IEC 320 female plug on the other end. Order a cord/plug set to replace a lost or damaged set or to use your 230 VAC drive in another country. Most 230 VAC drives use the country-specific cord/plug sets; see the specific Masterflex drive page in this catalog to determine if your drive uses these cord/plug sets.

REFERENCE GUIDE



IEC 320 socket is featured on most Masterflex drives and on the Liqui-Sense® monitor.

| Key | Catalog number | Description |
|----------|-----------------------------|-----------------------|
| A | HL-50001-68 | US Standard (115 VAC) |
| B | HL-50001-60 | Australia |
| C | HL-50001-62 | Denmark |
| D | HL-50001-64 | India |
| E | HL-50001-69 | Israel |
| F | HL-50001-70 | Europe |
| G | HL-50001-72 | England |
| H | HL-50001-74 | Switzerland |
| I | HL-50001-76 | Italy |
| J | HL-50001-78 | US NEMA (230 VAC) |

MASTERFLEX® TUBING AND GENERAL TECHNICAL DATA

TABLE OF CONTENTS

Masterflex® Performance Data

| | |
|--|---------|
| C/L® tubing life data..... | 172 |
| L/S® tubing life data..... | 173–175 |
| I/P® tubing life data..... | 176–178 |
| B/T® tubing life data..... | 179–180 |
| Flow rates for Masterflex® pump heads..... | 181–183 |
| Pressure and suction lift data for Masterflex® pump heads..... | 184–185 |
| Pump head torque requirements..... | 186–187 |
| Application tips | |
| Dispensing applications..... | 188–189 |
| Pumping abrasive fluids..... | 190 |
| Pumping viscous fluids..... | 190–191 |
| Tubing selection guide for viscous fluids..... | 191 |
| Vacuum/suction lift data..... | 192 |

General Technical Data

| | |
|--|---------|
| Agency approvals and cord/plug guide..... | 193 |
| IP ratings, NEMA ratings, pipe thread sizes..... | 194 |
| ATEX and NEC classifications..... | 195 |
| Glossary of terms..... | 196 |
| Conversion factors..... | 197 |
| Chemical resistance charts..... | 198–206 |

TUBING SELECTION GUIDELINES

Tubing life performance is just one of many factors present in your pumping applications. The charts in this section and the information on pages 19–31 will assist you in selecting tubing for your pumping application.

Tubing life is shown in hours at various motor speeds while continuously pumping water at 21°C (70°F) and 0 psig (0 bar). Masterflex® tubing life data is calculated from time to failure or reduction to 50% flow rate, whichever comes first.

In general:

- ▶ The Norprene®, PharMed® BPT, and PharmaPure® tubing formulations offer the best tubing life in all applications where the fluid being pumped is chemically compatible
- ▶ High-performance precision tubing has a 20 to 30% increased tubing life over Precision tubing
- ▶ High-pressure Norprene and PharMed BPT have the best life in pressure applications
- ▶ Peroxide-cured silicone tubing offers up to 40% more tubing life. Platinum-cured silicone tubing offers better biocompatibility and fewer extractables. BioPharm Plus platinum-cured silicone tubing lasts up to five times longer than other platinum-cured silicone tubings and is the recommended formulation for high-accuracy dispensing applications (see pages 188–189).

Other factors to consider when determining the best tubing for your application:

- ▶ Fluid compatibility
- ▶ Fluid temperature
- ▶ System pressure
- ▶ Motor rpm
- ▶ Clarity of tubing
- ▶ Duty cycle
- ▶ Maintenance periods
- ▶ Tubing purity
- ▶ Viscosity

Once tubing has been selected:

1. Test it in your application.
2. Monitor tubing life in duty cycle, look for signs of tubing fatigue (e.g. small pinhole leaks, abrasion, etc.).
3. Set up maintenance schedule to anticipate tubing failure.

Monitor the time tubing is in the pump. Advance it 8 to 12 inches on a daily, weekly, monthly, or quarterly basis, depending on your experience with your maintenance schedule.

TESTING PARAMETERS

The charts found on pages 172–180 indicate the average life of Masterflex® tubing used in our Standard-style pump heads unless otherwise noted. The tubing life is shown in hours at various motor speeds while continuously pumping water at 21°C (70°F) and 0 psig (0 bar). This data has been collected from years of testing Masterflex® peristaltic pumps. Masterflex® tubing life data is calculated from time to failure or reduction to 50% flow rate, whichever comes first.

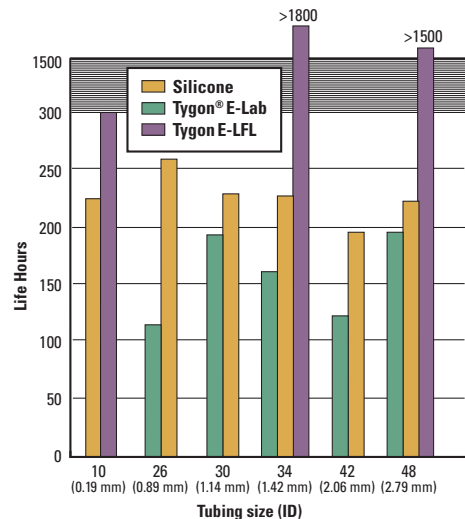
These charts are best used as a general comparison only. It is not guaranteed that you will achieve the results shown. Generally, the life of all types of tubing is adversely affected by temperature, pump motor rpm, chemical compatibility, and pressure.

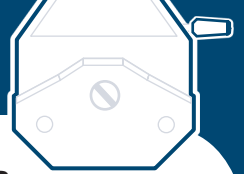


Tubing performance data presented in this catalog is the result of years of rigorous testing under actual application conditions.

C/L® MICROBORE TUBING LIFE DATA

This graph shows average tubing life, by tubing size, of C/L® silicone and C/L® Tygon® while pumping water through a C/L® variable-speed pump 77120-series at 21°C (70°F) with 0 psig at 300 rpm.





L/S® PRECISION AND HIGH-PERFORMANCE PRECISION TUBING

- ▶ Tubing Life
- ▶ Pressure Guidelines
- ▶ Vacuum/Suction Lift
- ▶ Gas Permeability

Ensure top performance with your Masterflex® pump head by using precision-extruded Masterflex® tubing to deliver accurate flow rates. Twenty-two different material formulations are available.

To order the correct tubing:

1. Consider all the aspects of your application: flow rate, pressure, etc.
2. Review the chemical compatibility data on pages 30–31, as well as specific information about individual tubing materials on pages 22–29.
3. Use the “Tubing Material Life Comparison” graph and table at right to select the tubing with the longest life.

If your application requires the generation of high pressure or a strong vacuum/suction lift, refer to the “Pressure Guidelines” and “Vacuum/Suction Lift” graphs at right. These graphs can assist you in determining which tubing will pressurize most rapidly or develop the strongest vacuum/suction lift in your application.

If your application requires pumping air-sensitive gases or liquids, refer to the “Gas Permeability” graph below right to choose the tubing with the lowest permeability.

If you are pumping a viscous fluid, refer to the “Tubing Selection Guide for Pumping Viscous Fluids” graph on page 191 to select the best tubing size.

FREE TUBING TEST KIT!

Our FREE Tubing Test Kit is a simple way to test your chemicals against different tubing formulations. Kit contains samples of different pump tubing formulations, formulation descriptions, a selection guide, instructions on how to test your tubing, and complete ordering information. Call today! Request item HL-00101-10.

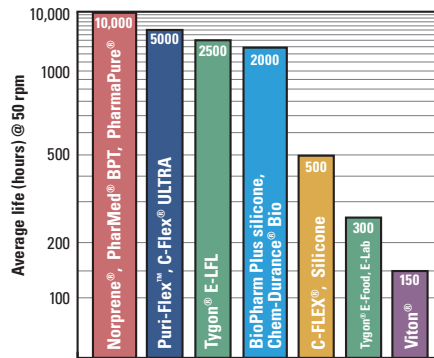
Call or go online to request your FREE test kit today!



SEE PAGES 68–73

for L/S® pump tubing ordering information.

TUBING MATERIAL LIFE COMPARISON

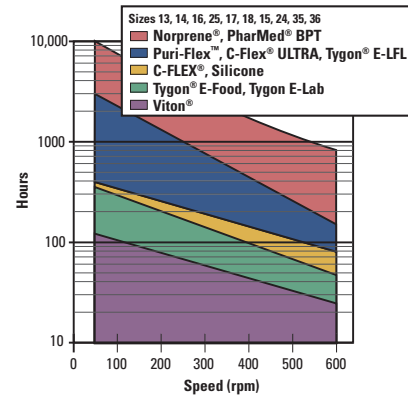


The graph above displays the average tubing life in hours of Masterflex® L/S® 16 tubing. This tubing was tested in a Masterflex® Standard pump head continuously pumping water at 21°C (70°F) and 0 psig (0 bar). Tubing life is calculated to time of failure or of 50% reduction in flow rate, whichever comes first. Reduce drive speeds to extend tubing life. Average tubing life for L/S® 16, I/P® 73, and B/T® 91 tubing at various speeds are listed in the table below.

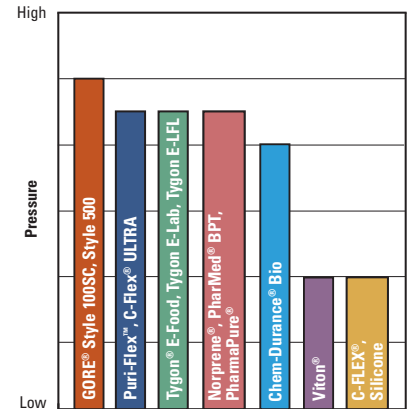
| Tubing class | L/S® 16 | | I/P® 73 | | B/T® 91 | |
|--------------------------------------|--------------|------|---------|-----|---------|-----|
| | Drive rpm 50 | 600 | 50 | 600 | 50 | 321 |
| Norprene®, PharMed® BPT, PharmaPure® | 10,000 | 1000 | 4000 | 800 | 3000 | 600 |
| Puri-Flex™, C-Flex® ULTRA | 5000 | 1000 | 3000 | 500 | 500 | 100 |
| Tygon® E-LFL | 2500 | 600 | 800 | 400 | 600 | 200 |
| C-FLEX®, Silicone | 500 | 100 | 400 | 80 | 250 | 100 |
| Tygon® E-Food | 320 | 80 | — | 125 | — | — |
| Tygon® E-Lab | 320 | 80 | 180 | 380 | 100 | 30 |
| Viton® | 150 | 30 | 120 | 25 | — | — |

L/S® PRECISION TUBING LIFE CHARACTERISTICS

The graph below shows average tubing life vs motor rpm for selected L/S® tubing formulations.

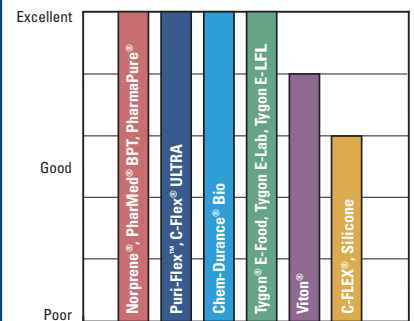


PRESSURE GUIDELINES



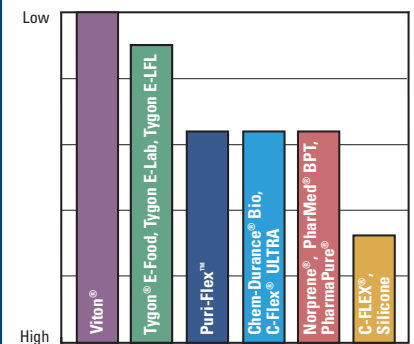
All tubing types accept pressure, but the firmer formulations accept more pressure than the softer types of tubing.

VACUUM/SUCTION LIFT



Vacuum/suction lift capability depends greatly on the tubing’s ability to maintain its shape. Thus, a firmer tubing type in the smallest possible bore size will generate a stronger vacuum for your application. Higher drive speeds are required to generate the strongest possible vacuum with some tubing sizes.

GAS PERMEABILITY



To minimize permeation of gases through the tubing wall, use firm tubing. Masterflex® L/S® High-Performance precision tubing (L/S® 15, L/S® 24, L/S® 35, and L/S® 36) is less permeable than Precision tubing sizes. See pages 20–23 for tubing permeability to various gases.

L/S® PRECISION AND HIGH-PERFORMANCE PRECISION PUMP TUBING

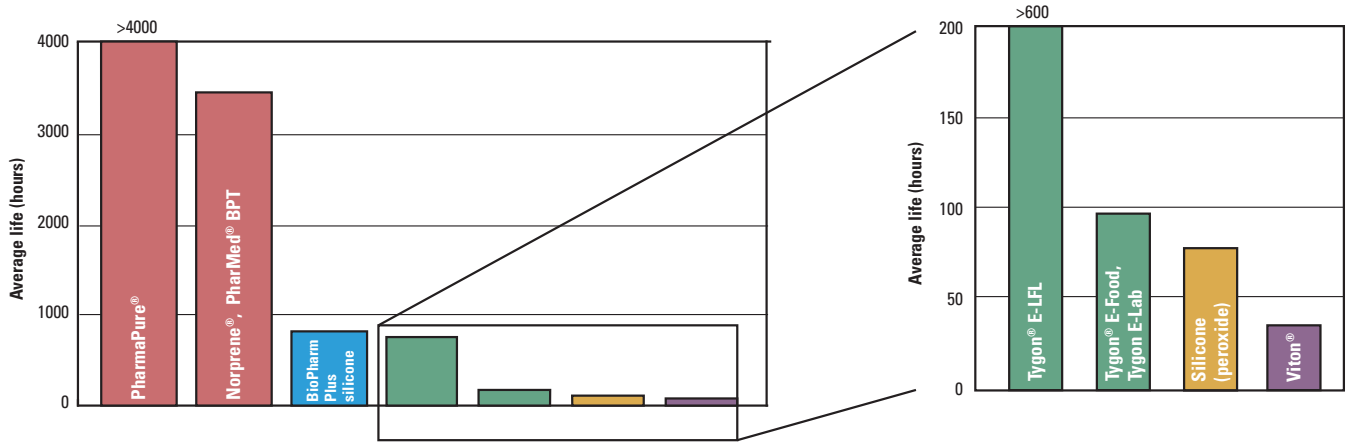
PERFORMANCE DATA FOR PHARMAPURE®, NORPRENE®, PHARMED® BPT, BIOPHARM PLUS SILICONE, SILICONE, TYGON®, AND VITON® TUBING FORMULATIONS

SEE PAGES 68–73

for L/S® pump tubing ordering information.

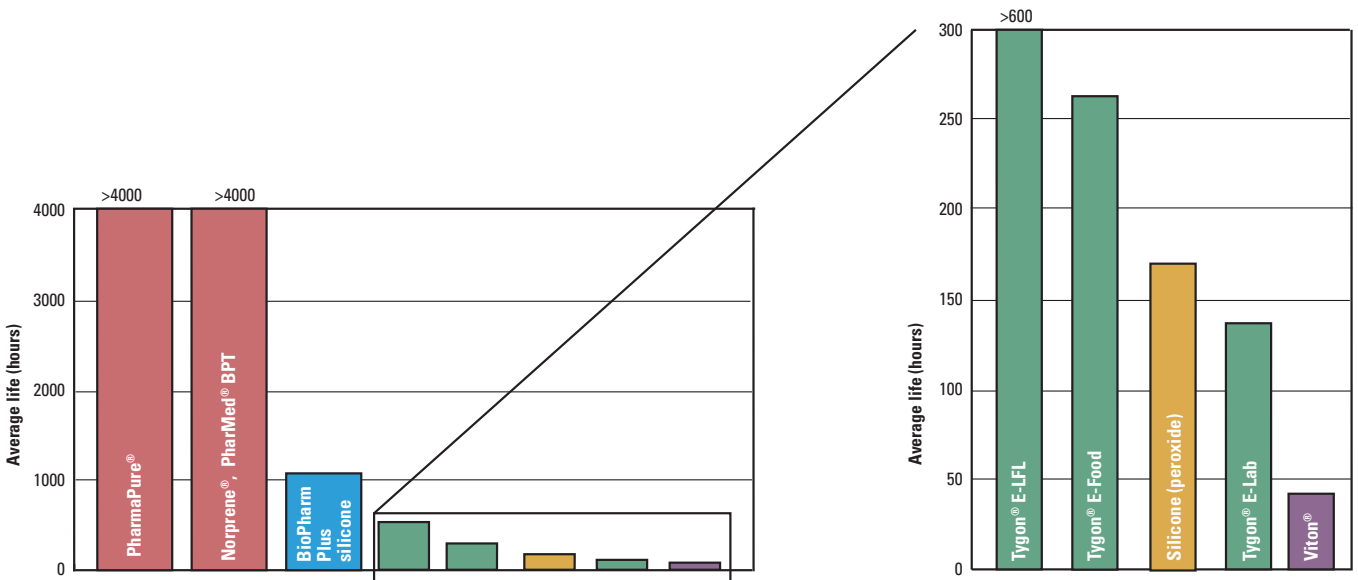
L/S® PRECISION TUBING

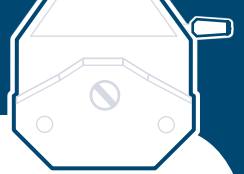
Precision tubing (L/S® 13, L/S® 14, L/S® 16, L/S® 25, L/S® 17, and L/S® 18) is made to tight tolerances that ensure accurate flow rates and long tubing life. The graph below shows average tubing life while pumping water through an Easy-Load® II pump head at 21°C (70°F), 0 psi, 600 rpm.



L/S® HIGH-PERFORMANCE PRECISION TUBING

High-performance precision tubing (L/S® 15, L/S® 24, L/S® 35, and L/S® 36) improves pressure generation, suction lift, tubing life, and the ability to pump viscous fluids. The graph below shows average tubing life while pumping water through an Easy-Load® II pump head at 21°C (70°F), 0 psi, 600 rpm.

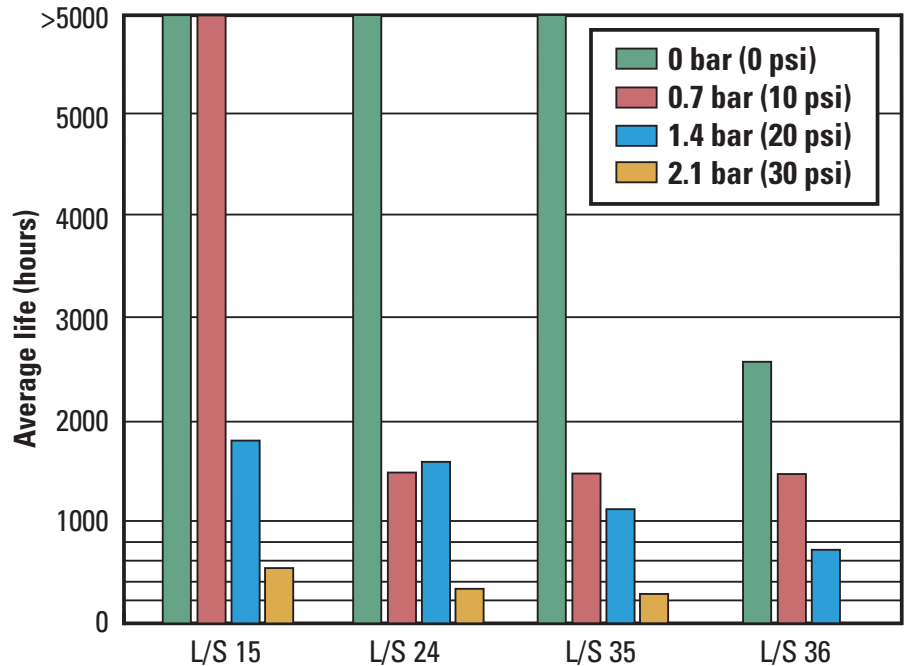




PERFORMANCE DATA FOR NORPRENE® AND PHARMED® BPT TUBING FORMULATIONS L/S® HIGH-PERFORMANCE PUMP HEAD PUMPING WATER AT 21°C (70°F)

L/S® HIGH-PERFORMANCE PRECISION TUBING

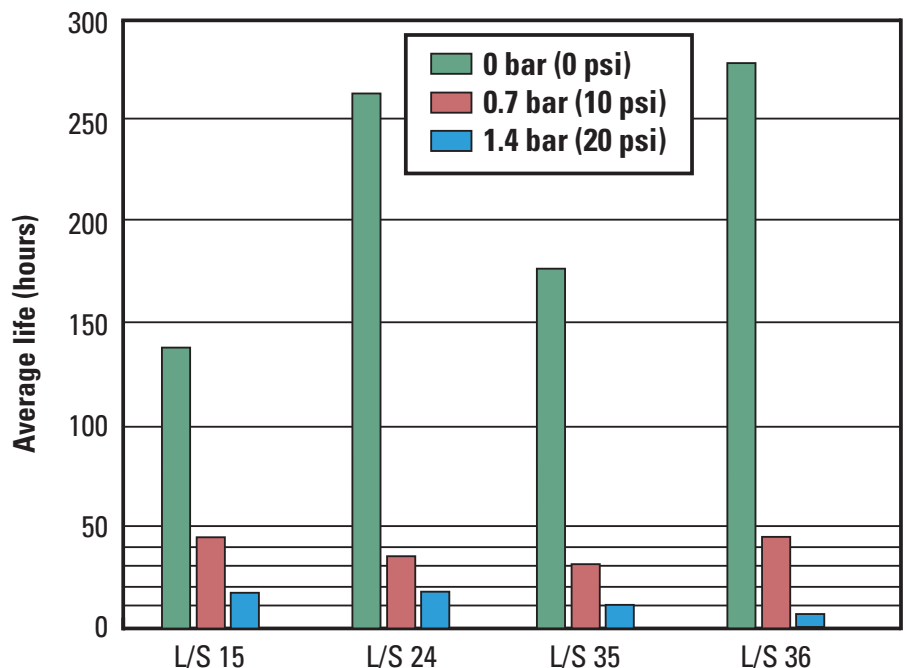
High-performance precision tubing (L/S® 15, L/S® 24, L/S® 35, and L/S® 36) improves pressure generation, suction lift, tubing life, and the ability to pump viscous fluids. The graph at right shows average tubing life while pumping water through a High-Performance pump head at 21°C (70°F), 600 rpm.



PERFORMANCE DATA FOR SILICONE (PEROXIDE-CURED) TUBING FORMULATION L/S® HIGH-PERFORMANCE PUMP HEAD PUMPING WATER AT 21°C (70°F)

L/S® HIGH-PERFORMANCE PRECISION TUBING

High-performance precision tubing (L/S® 15, L/S® 24, L/S® 35, and L/S® 36) improves pressure generation, suction lift, tubing life, and the ability to pump viscous fluids. The graph at right shows average tubing life while pumping water through a High-Performance pump head at 21°C (70°F), 600 rpm.



I/P® PRECISION AND HIGH-PERFORMANCE PRECISION PUMP TUBING

- ▶ Tubing Life
- ▶ Pressure Guidelines
- ▶ Vacuum/Suction Lift
- ▶ Gas Permeability

Ensure top performance with your Masterflex® pump head by using precision-extruded Masterflex® tubing to deliver accurate flow rates. Nineteen different material formulations are available.

To order the correct tubing:

1. Consider all the aspects of your application: flow rate, pressure, etc.
2. Review the chemical compatibility data on pages 30–31, as well as specific information about individual tubing materials on pages 22–29.
3. Use the “Tubing Material Life Comparison” graph and table at right to select the tubing with the longest life.

If your application requires the generation of high pressure or a strong vacuum/ suction lift, refer to the “Pressure Guidelines” and “Vacuum/ Suction Lift” graphs at right. These graphs help you determine which tubing will pressurize the most rapidly or develop the strongest vacuum/suction lift in your application.

If your application requires pumping air-sensitive gases or liquids, refer to the “Gas Permeability” graph below right to choose the tubing with the lowest permeability.

If you are pumping a viscous fluid, refer to the “Tubing Selection Guide for Pumping Viscous Fluids” graph on page 191 to select the best tubing size.

FREE TUBING TEST KIT!

Our FREE Tubing Test Kit is a simple way to test your chemicals against different tubing formulations. Kit contains samples of different pump tubing formulations, formulation descriptions, a selection guide, instructions on how to test your tubing, and complete ordering information. Call today! Request item HL-00101-10.

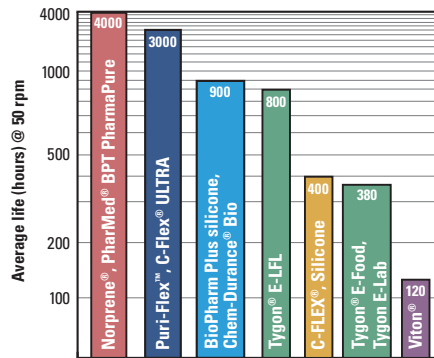
Call or go online to request your FREE test kit today!



WHERE TO ORDER TUBING

C/L® TUBING 34, 36
 L/S® TUBING 68–73
 I/P® TUBING 126–130
 B/T® TUBING 153

TUBING MATERIAL LIFE COMPARISON

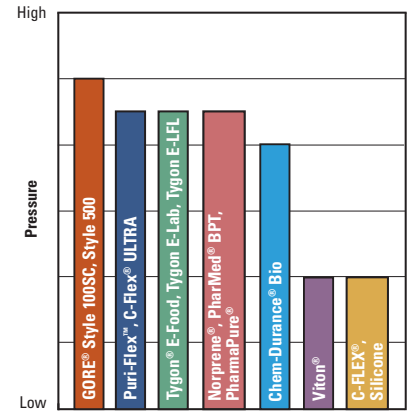


The graph above displays the average tubing life in hours of Masterflex® I/P® 73 tubing. This tubing was tested in a Masterflex® Standard pump head continuously pumping water at 21°C (70°F) and 0 bar (0 psig). Tubing life is calculated to time of failure or of 50% reduction in flow rate, whichever comes first. Reduce drive speeds to extend tubing life. Average tubing life for L/S® 16, I/P® 73, and B/T® 91 tubing at various speeds are listed in the table below.

| Tubing class | L/S® 16 | | I/P® 73 | | B/T® 91 | | |
|--------------------------------------|-----------|--------|---------|------|---------|------|-----|
| | Drive rpm | 50 | 600 | 50 | 600 | 50 | 321 |
| Norprene®, PharMed® BPT, PharmaPure® | | 10,000 | 1000 | 4000 | 800 | 3000 | 600 |
| Puri-Flex™, C-Flex® ULTRA | | 5000 | 1000 | 3000 | 500 | 500 | 100 |
| Tygon® E-LFL | | 2500 | 600 | 800 | 400 | 600 | 200 |
| C-FLEX®, Silicone | | 500 | 100 | 400 | 80 | 250 | 100 |
| Tygon® E-Food | | 320 | 80 | — | 125 | — | — |
| Tygon® E-Lab | | 320 | 80 | 180 | 380 | 100 | 30 |
| Viton® | | 150 | 30 | 120 | 25 | — | — |

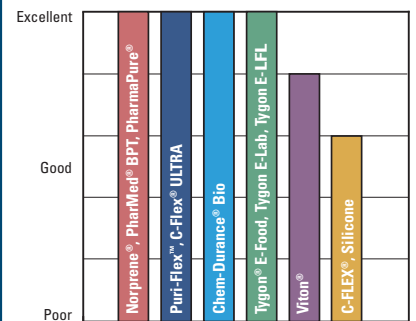


PRESSURE GUIDELINES



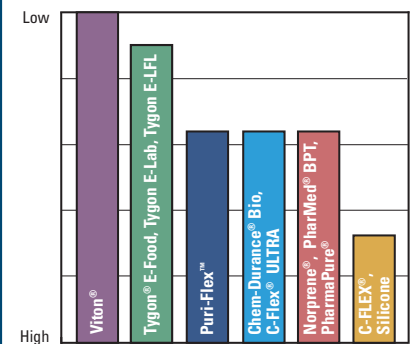
All tubing types accept pressure, but the firmer formulations accept more pressure than the softer types of tubing.

VACUUM/SUCTION LIFT

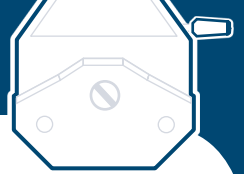


Vacuum/suction lift capability depends greatly on the tubing’s ability to maintain its shape. Thus, a firmer tubing type in the smallest possible bore size will generate a stronger vacuum for your application. Higher drive speeds are required to generate the strongest possible vacuum with some tubing sizes.

GAS PERMEABILITY



To minimize permeation of gases through the tubing wall, use firm tubing. Masterflex® I/P® High-Performance precision tubing (I/P® 70, I/P® 88, and I/P® 89) is less permeable than Precision tubing sizes. See pages 20–23 for tubing permeability to various gases.

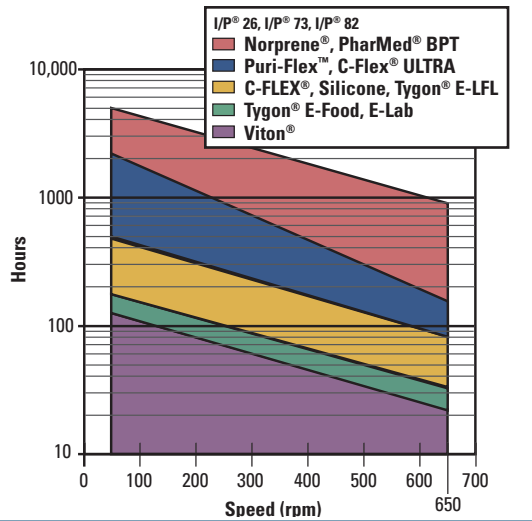


I/P® PRECISION TUBING LIFE CHARACTERISTICS

Like the I/S® tubing sizes, I/P® sizes I/P® 26, I/P® 73, I/P® 82, I/P® 70, I/P® 88, and I/P® 89 offer excellent pressure generation, suction lift, tubing life, and the ability to pump viscous fluids—all at higher flow rates. This tubing is ideal for industrial applications that require flow rates up to 19 LPM (5.0 GPM).

The graph at right shows average tubing life while pumping water through a Standard pump head at 21°C (70°F).

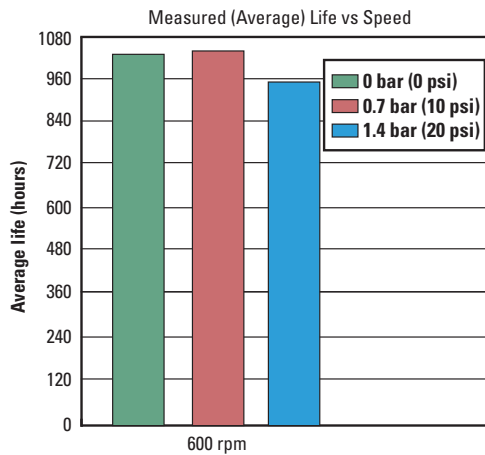
For example, using this graph it can be determined that the expected average life of Masterflex® I/P® 73 silicone tubing at 300 rpm is about 200 hours.



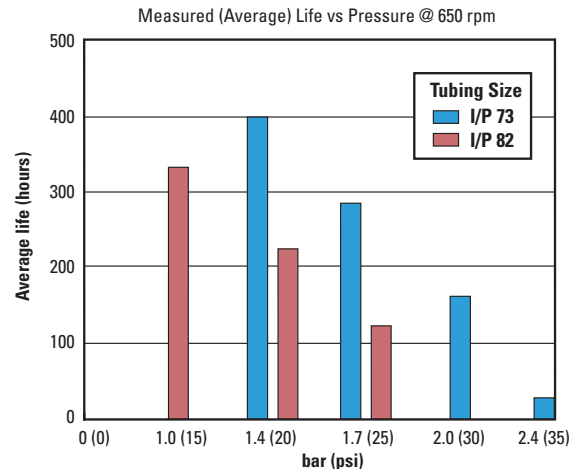
NOTES

Peroxide-cured silicone tubing offers up to 40% more tubing life. Platinum-cured silicone tubing offers better chemical compatibility. Biopharm Plus silicone tubing lasts up to five times longer than other platinum silicone tubings.

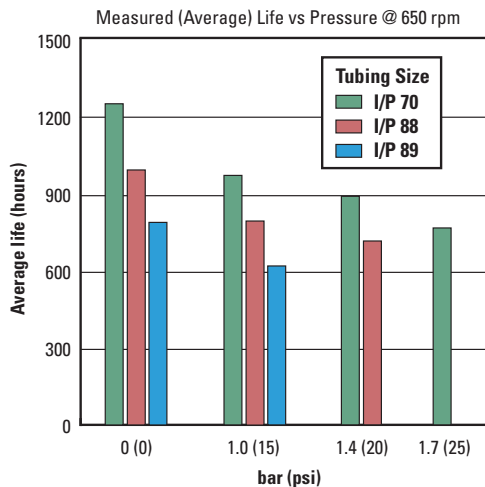
NORPRENE®, PHARMED® BPT I/P® 73 TUBING IN I/P® STANDARD HEAD (07019-series)



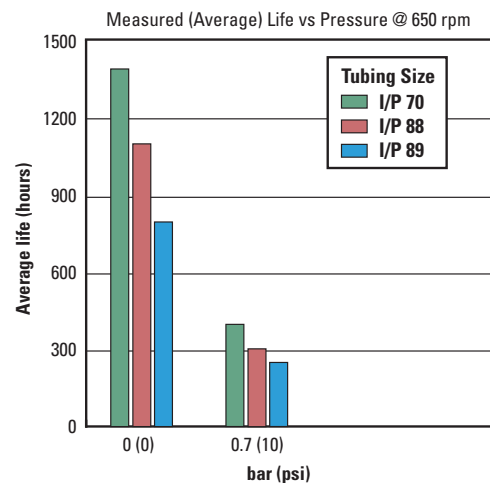
NORPRENE® IN I/P® EASY-LOAD® PUMP HEAD (77601-series)



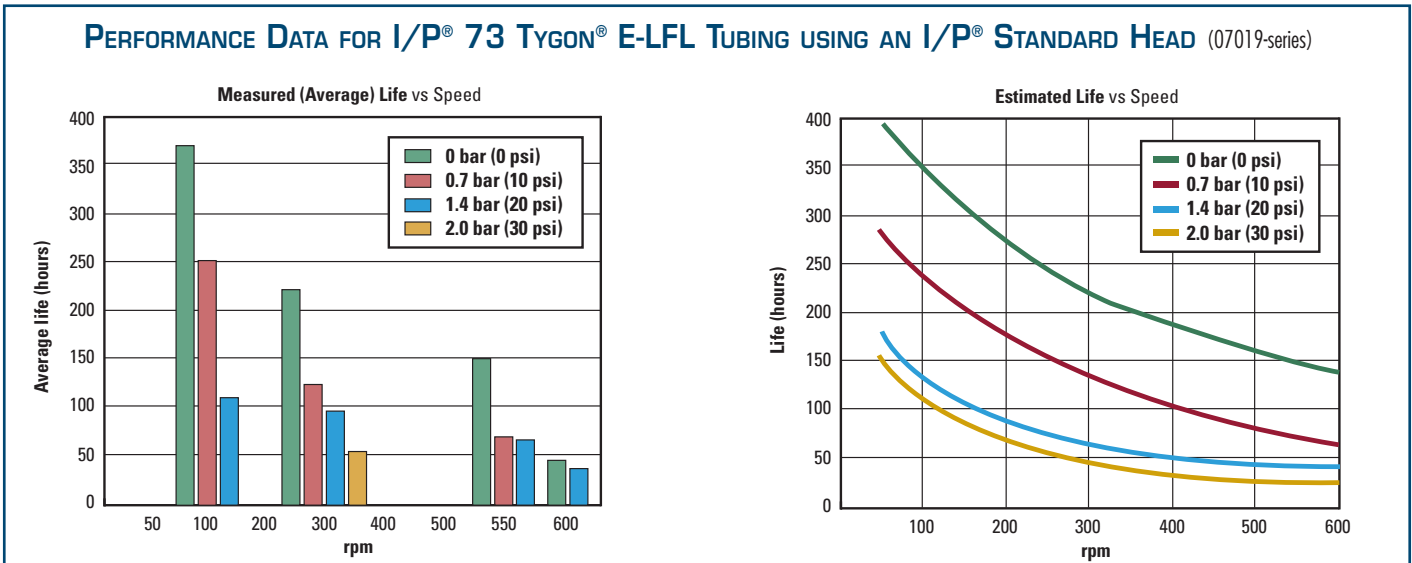
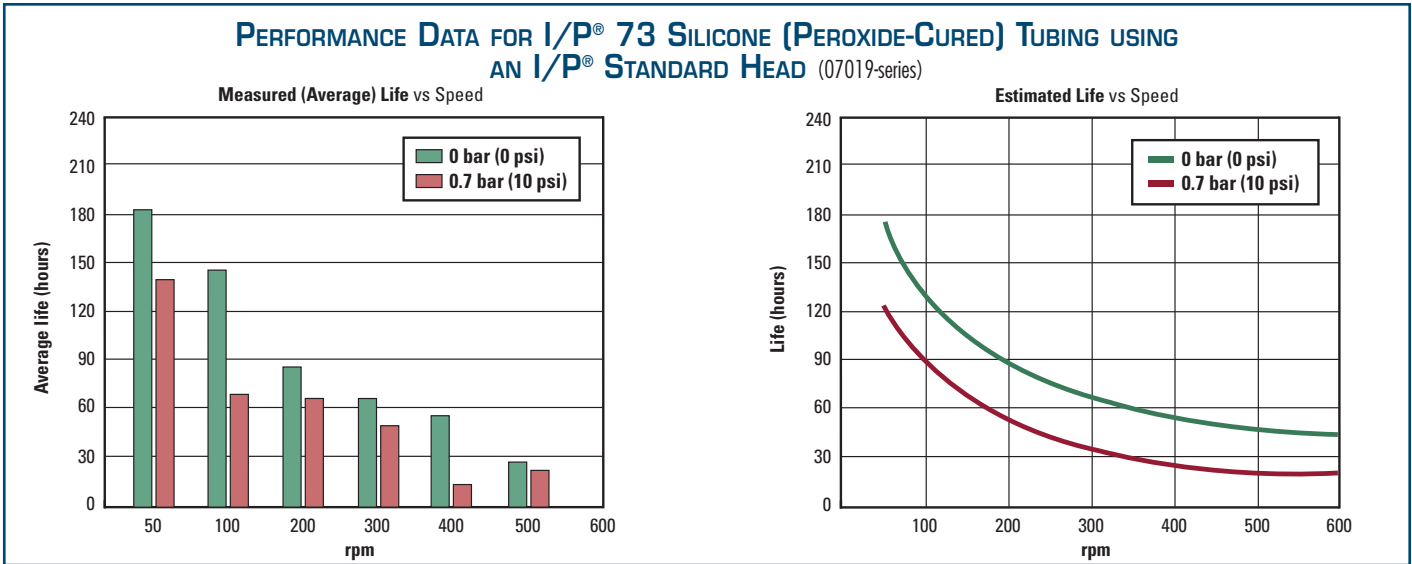
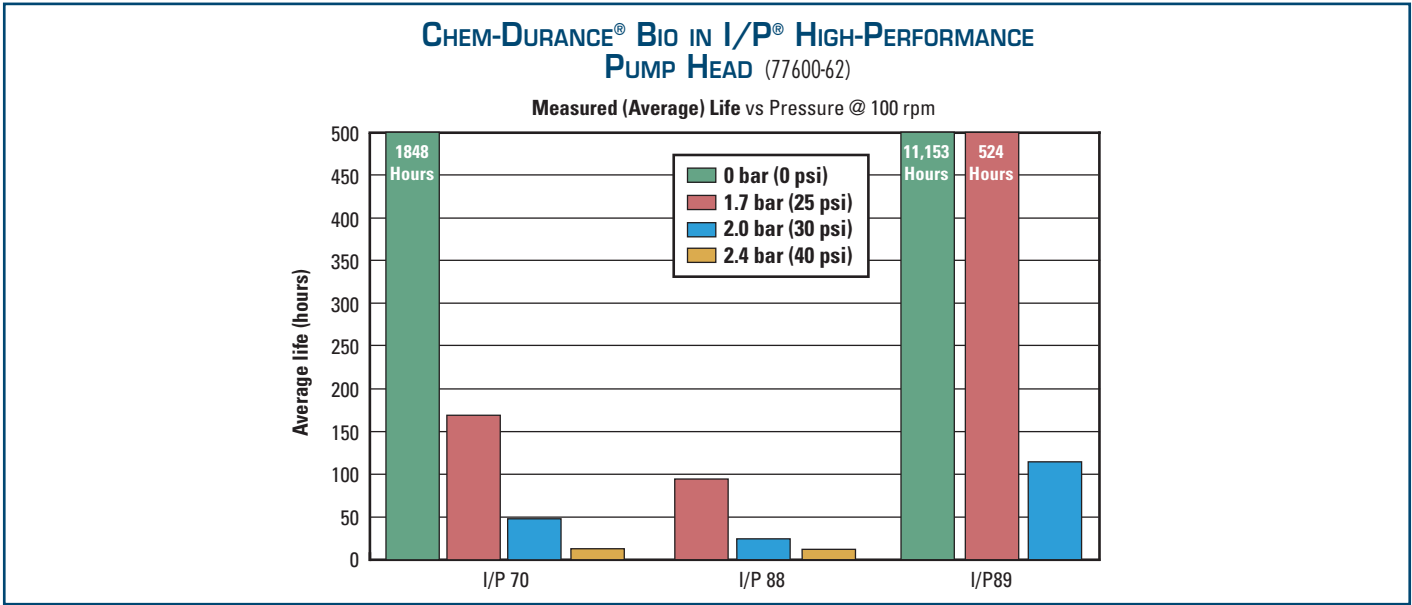
NORPRENE®, PHARMED® BPT IN I/P® HIGH-PERFORMANCE PUMP HEAD (77600-62)



PEROXIDE-CURED SILICONE IN I/P® HIGH-PERFORMANCE PUMP HEAD (77600-62)



I/P® PRECISION AND HIGH-PERFORMANCE PRECISION PUMP TUBING





B/T[®] PERFECTPOSITION[™] PUMP TUBING

- ▶ Tubing Life
- ▶ Pressure Guidelines
- ▶ Vacuum/Suction Lift
- ▶ Gas Permeability

Ensure top performance with your Masterflex[®] pump head by using precision-extruded Masterflex[®] tubing to deliver accurate flow rates. Ten different material formulations are available for B/T[®] pumps.

To order the correct tubing:

1. Consider all the aspects of your application: flow rate, pressure, etc.
2. Review the chemical compatibility data on pages 30-31, as well as specific information about individual tubing materials on pages 22-29.
3. Use the "Tubing Material Life Comparison" graph and table at right to select the tubing with the longest life.

If your application requires the generation of high pressure or a strong vacuum/ suction lift, refer to the "Pressure Guidelines" and "Vacuum/ Suction Lift" graphs at right. These graphs help you determine which tubing will pressurize the most rapidly or develop the strongest vacuum/suction lift in your application.

If your application requires pumping air-sensitive gases or liquids, refer to the "Gas Permeability" graph below right to choose the tubing with the lowest permeability.

If you are pumping a viscous fluid, refer to the "Tubing Selection Guide for Pumping Viscous Fluids" graph on page 191 to select the best tubing size.

FREE TUBING TEST KIT!

Our FREE Tubing Test Kit is a simple way to test your chemicals against different tubing formulations. Kit contains samples of different pump tubing formulations, formulation descriptions, a selection guide, instructions on how to test your tubing, and complete ordering information. Call today! Request item HL-00101-10.

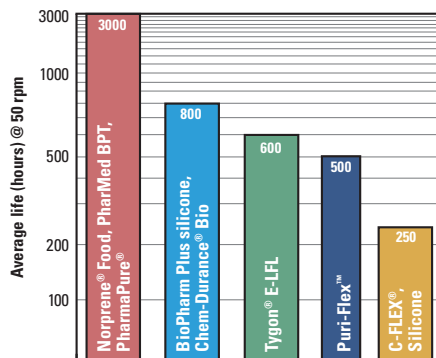
Call or go online to request your FREE test kit today!



WHERE TO ORDER TUBING

- C/L[®] TUBING 34, 36
- L/S[®] TUBING 68-73
- I/P[®] TUBING 126-130
- B/T[®] TUBING 153

TUBING MATERIAL LIFE COMPARISON



The graph above displays the average tubing life in hours of Masterflex[®] B/T[®] 91 tubing. This tubing was tested in a Masterflex[®] RapidLoad[®] pump head continuously pumping water at 21°C (70°F) and 0 psig (0 bar). Tubing life is calculated to time of failure or of 50% reduction in flow rate, whichever comes first. Reduce drive speeds to extend tubing life. Average tubing life for L/S[®] 16, I/P[®] 73, and B/T[®] 91 tubing at various rpm are listed in the table below.

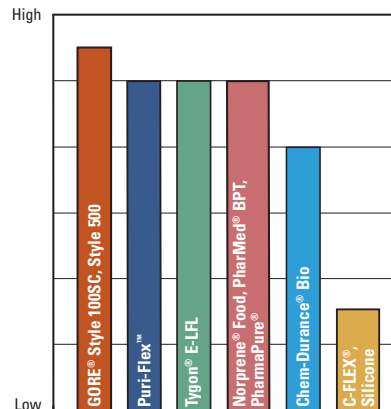
| Tubing class | L/S [®] 16 | | I/P [®] 73 | | B/T [®] 91 | |
|---|---------------------|------|---------------------|-----|---------------------|-----|
| | Drive rpm 50 | 600 | 50 | 600 | 50 | 321 |
| Norprene [®] , PharMed [®] BPT, PharmaPure [®] | 10,000 | 1000 | 4000 | 800 | 3000 | 600 |
| Puri-Flex [™] , C-Flex ULTRA | 5000 | 1000 | 3000 | 500 | 500 | 100 |
| Tygon [®] E-LFL | 2500 | 600 | 800 | 400 | 600 | 200 |
| C-FLEX [®] , Silicone | 500 | 100 | 400 | 80 | 250 | 100 |
| Tygon [®] E-Food | 320 | 80 | — | 125 | — | — |
| Tygon [®] E-Lab | 320 | 80 | 180 | 380 | — | — |
| Viton [®] | 150 | 30 | 120 | 25 | — | — |

NOTES

Use only Masterflex[®] tubing with Masterflex[®] pumps to ensure optimal performance. Use of other tubing may void applicable warranties.

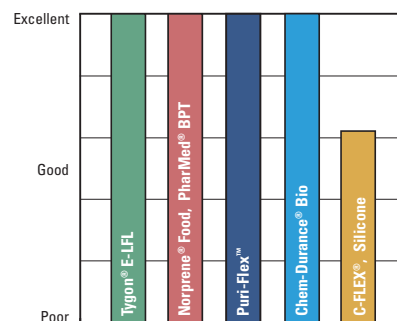


PRESSURE GUIDELINES



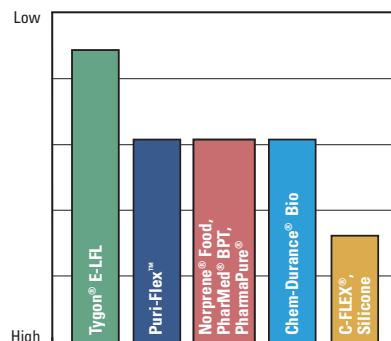
All tubing types accept pressure, but the firmer formulations accept more pressure than the softer types of tubing.

VACUUM/SUCTION LIFT



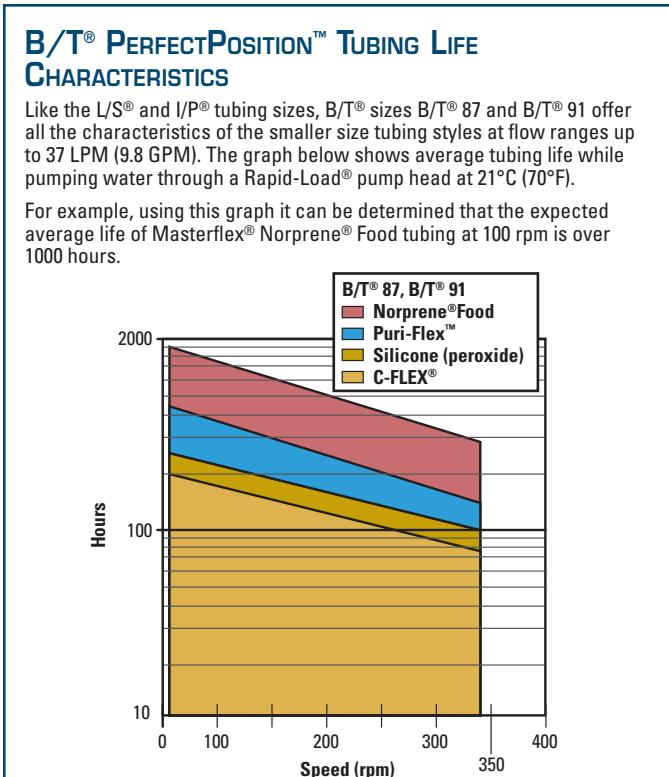
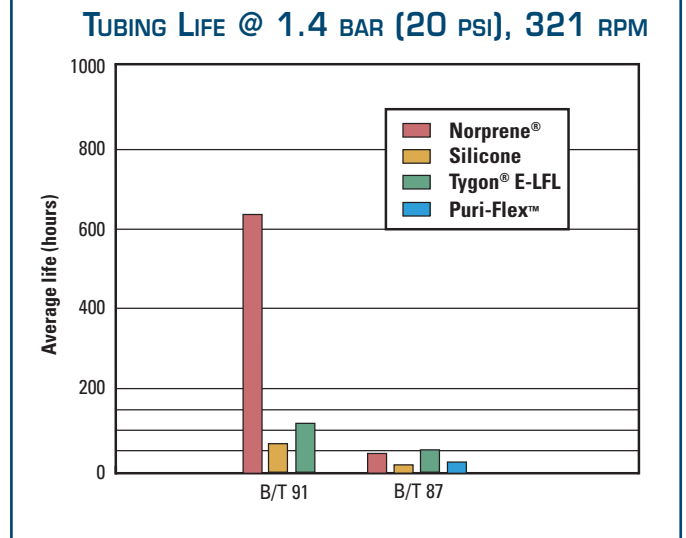
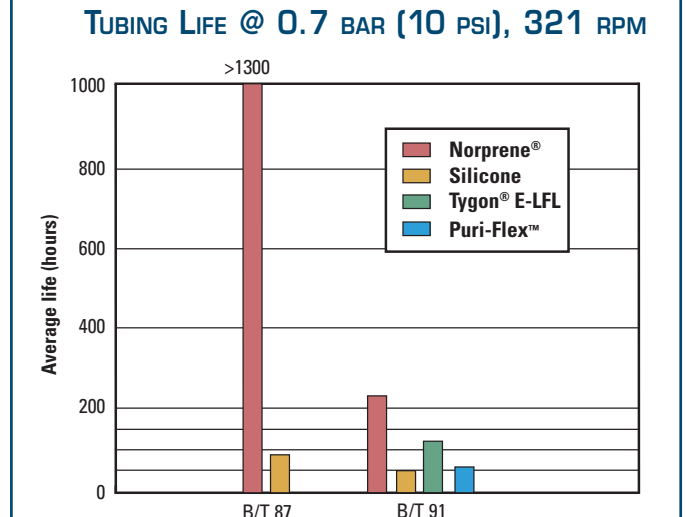
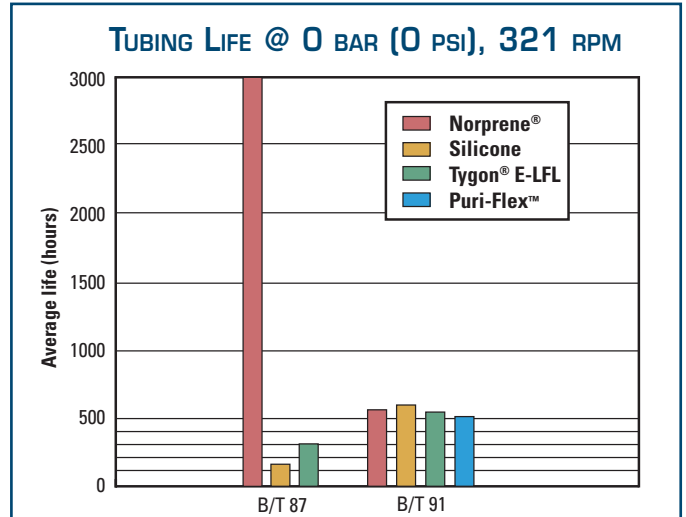
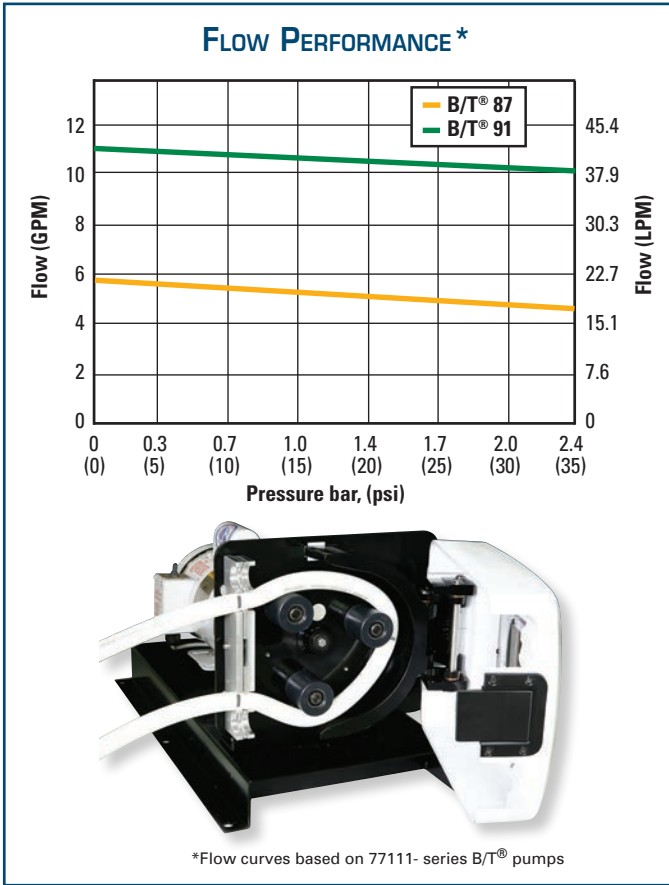
Vacuum/suction lift capability depends greatly on the tubing's ability to maintain its shape. Thus, a firmer tubing type in the smallest possible bore size will generate a stronger vacuum for your application. Higher drive speeds are required to generate the strongest possible vacuum with some tubing sizes.

GAS PERMEABILITY



To minimize permeation of gases through the tubing wall, use firm tubing. See pages 20-23 for tubing permeability to various gases.

B/T® PERFECTPOSITION™ PUMP TUBING

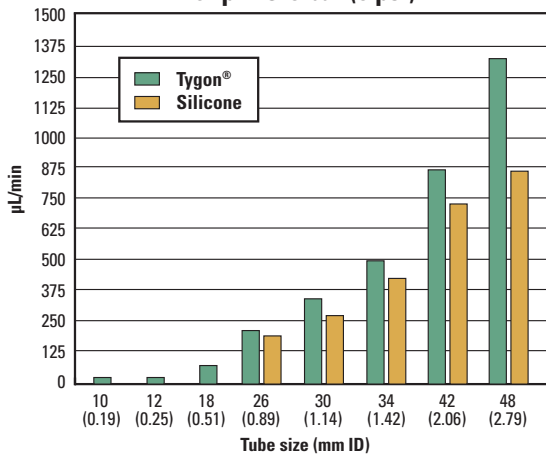




MASTERFLEX® TUBING PUMP FLOW PERFORMANCE

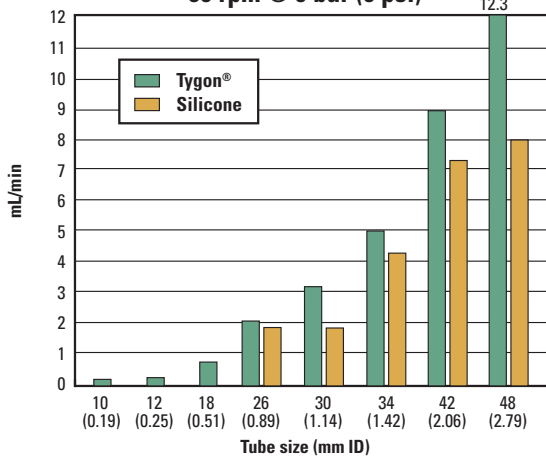
C/L® PUMP (77120-32, -52)

6 rpm @ 0 bar (0 psi)



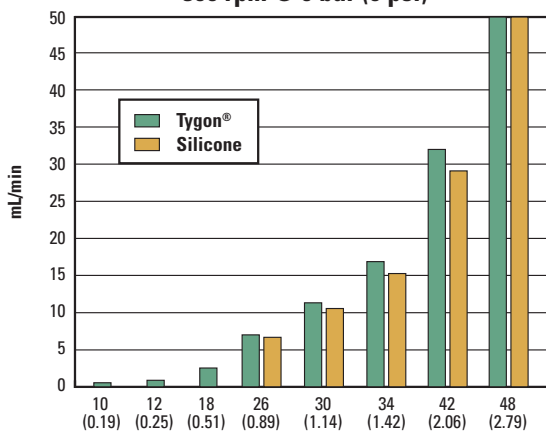
C/L® PUMP (77120-42, -62)

60 rpm @ 0 bar (0 psi)



C/L® PUMP (77122-24, -26)

300 rpm @ 0 bar (0 psi)



FLOW RATES

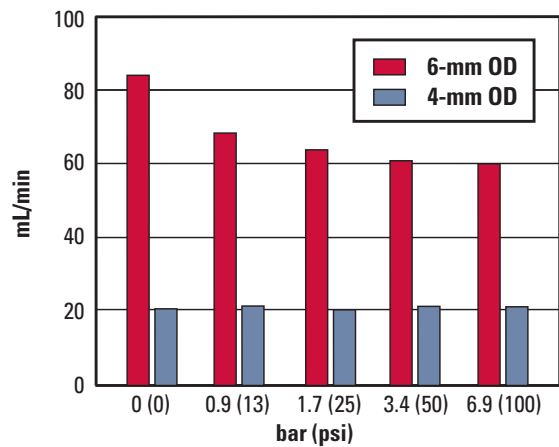
Masterflex® offers a wide range of pump systems and tubing sizes. These graphs are designed to help you select a size for your application.

Pressure, in general, does not affect the flow rate of the pump head and tubing combination in water applications, unless the pressure exceeds the rating for continuous duty operation. At pressures above this rating to the maximum, the flow rates will drop off.

The exact flow rates will vary from application to application depending on the tubing material and occlusion.

L/S® PTFE TUBING PUMP (77390-series)

Flow measurements taken at one hour running; pumping water @ 21°C (70°F), 300 rpm

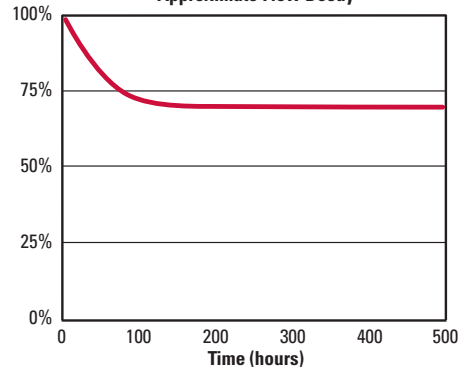


TUBING MEAN TIME TO FAILURE (MTTF)

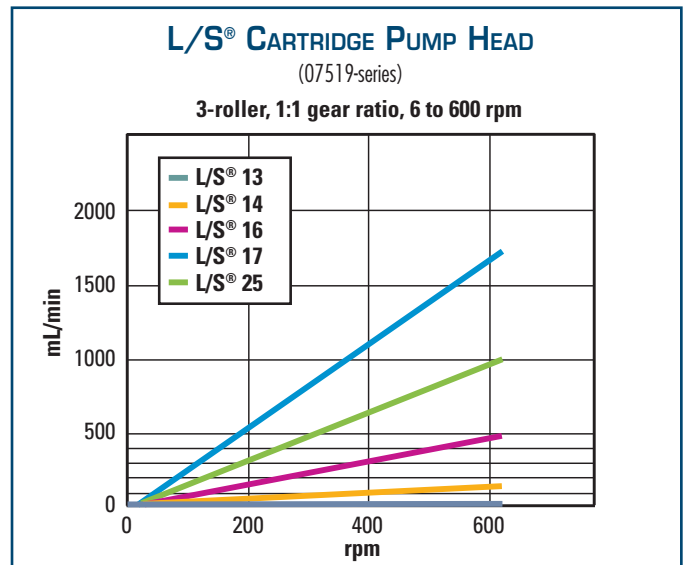
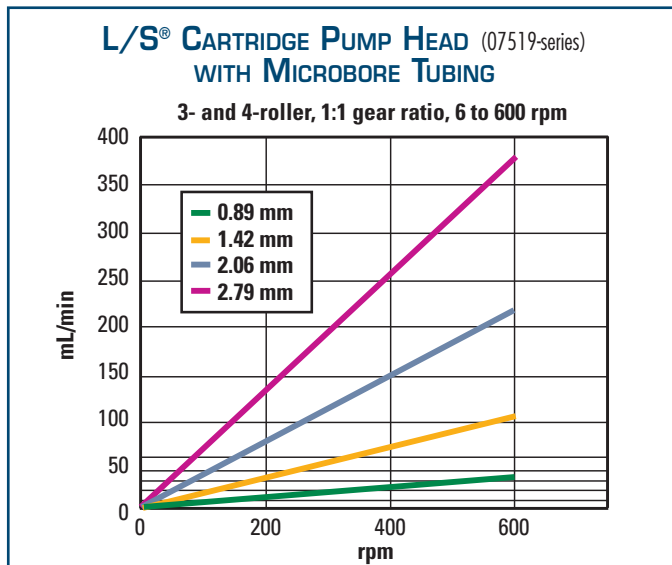
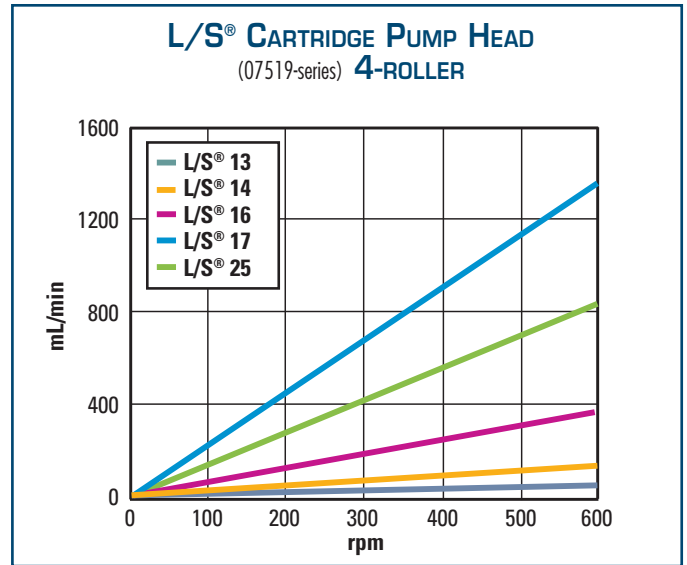
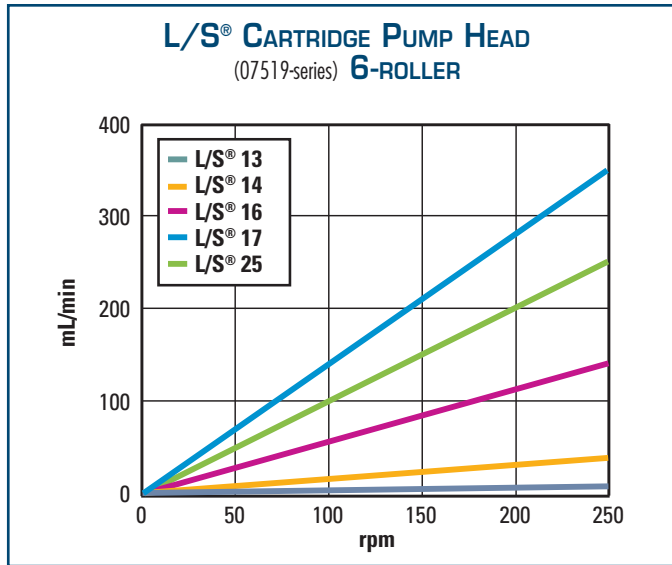
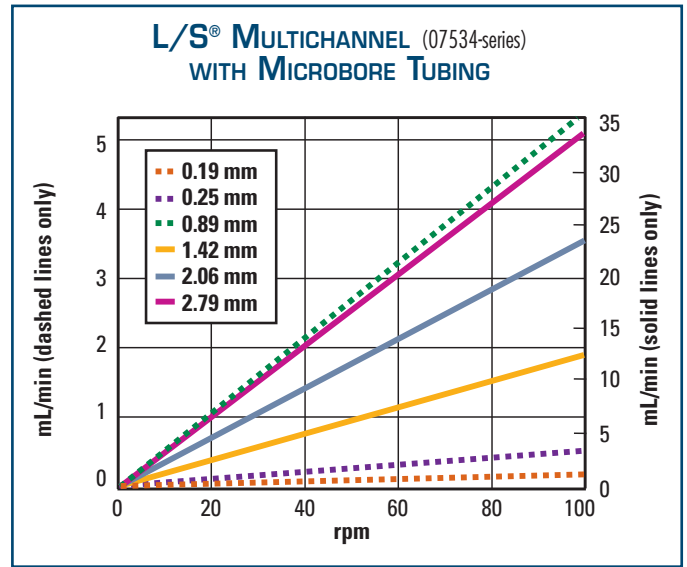
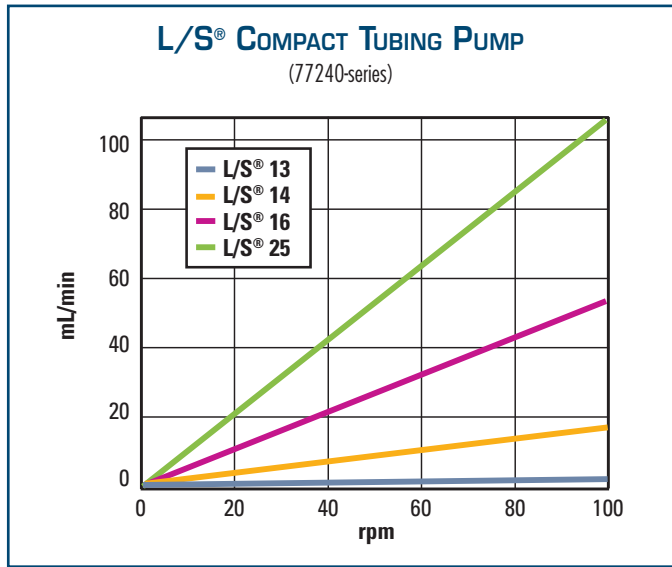
L/S® PTFE Pump 77390-00 @ 300 rpm, 0 psi

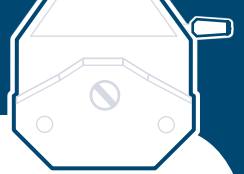
Parametric: 500 hours at 100 rpm
Catastrophic: 1500 hours at 100 rpm

Approximate Flow Decay



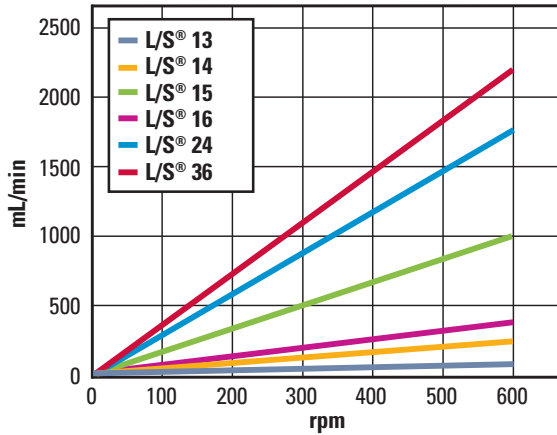
MASTERFLEX® TUBING PUMP FLOW PERFORMANCE



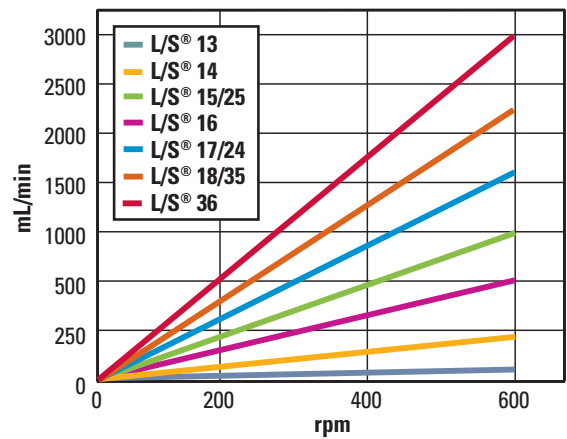


L/S® MULTICHANNEL

(07535-, 07536-series)

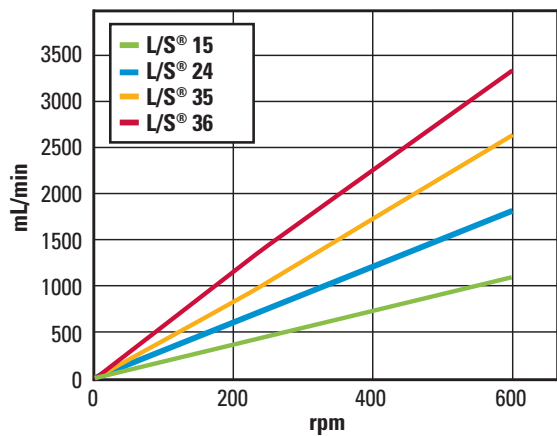


L/S® STANDARD (070XX-series), EASY-LOAD® (07518-series), EASY-LOAD® II (77200-, 77201-series), AND EASY-LOAD® 3 (77800-series)

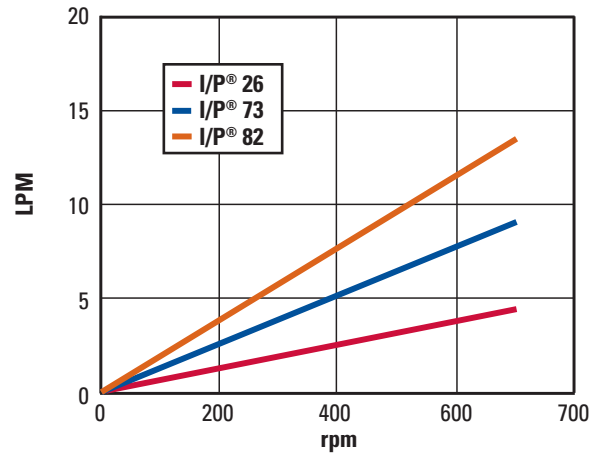


L/S® HIGH-PERFORMANCE PUMP HEAD

(77250-62, -82)

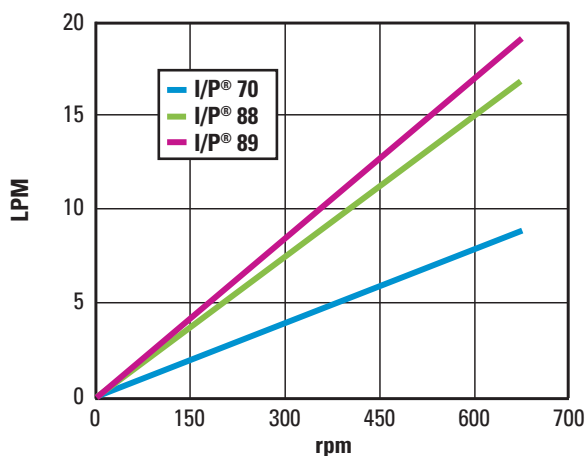


I/P® STANDARD (07019-series) AND EASY-LOAD® (77601-series)



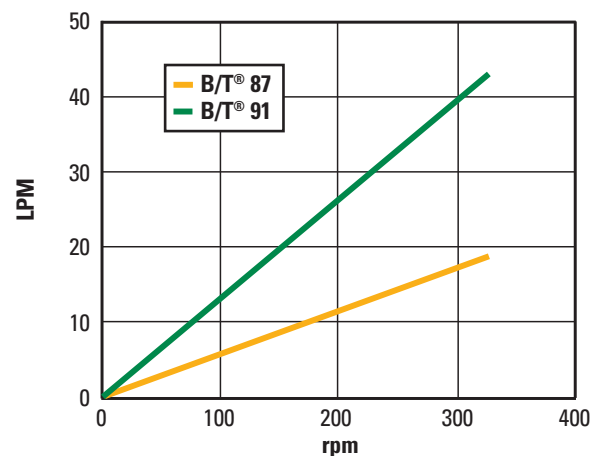
I/P® HIGH-PERFORMANCE PUMP HEAD

(77600-62, -82)



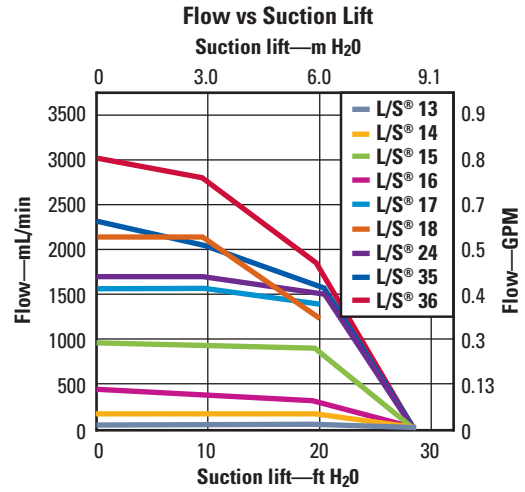
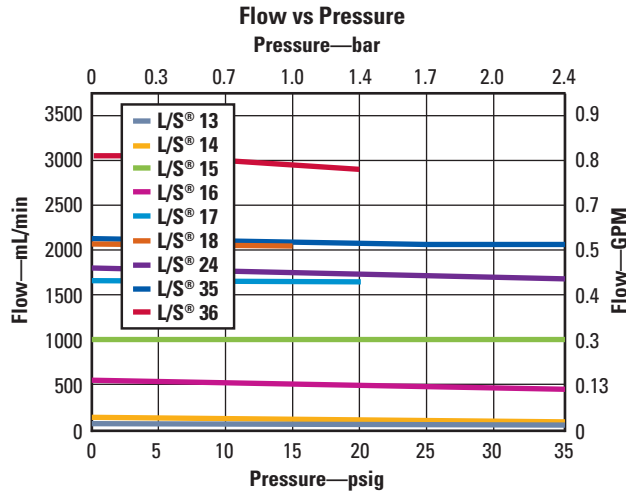
B/T® PUMP HEAD

(77111-series)

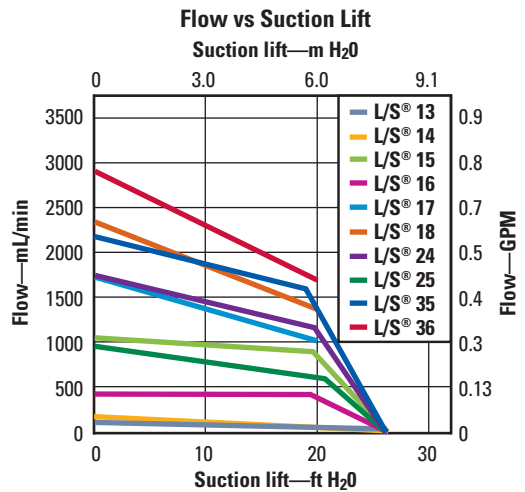
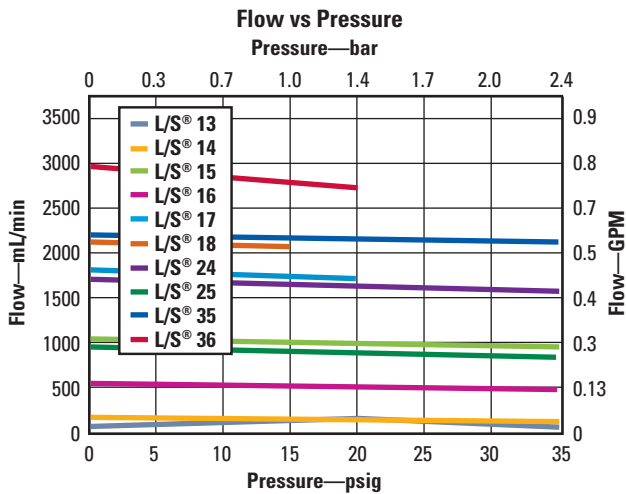


PUMP HEAD FLOW CURVES

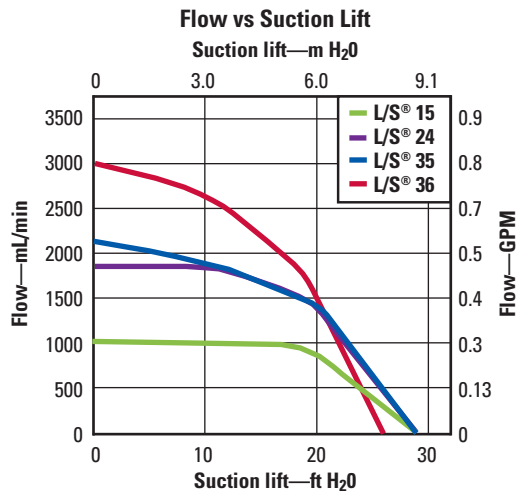
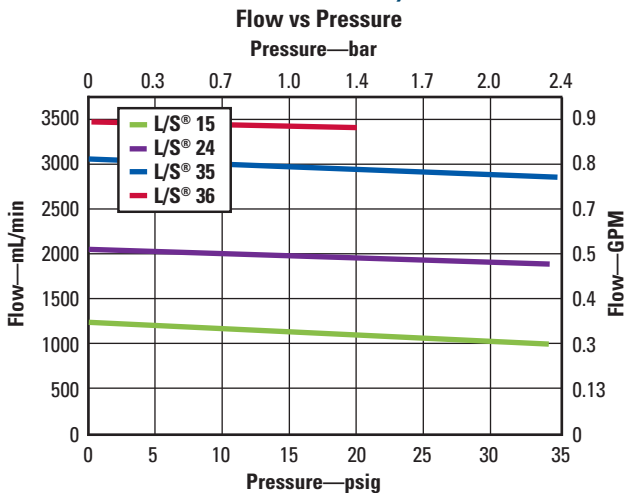
L/S® STANDARD PUMP HEAD



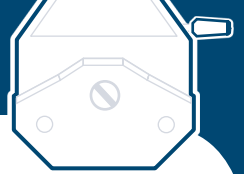
L/S® EASY-LOAD®, EASY-LOAD® II, AND EASY-LOAD® 3 PUMP HEAD



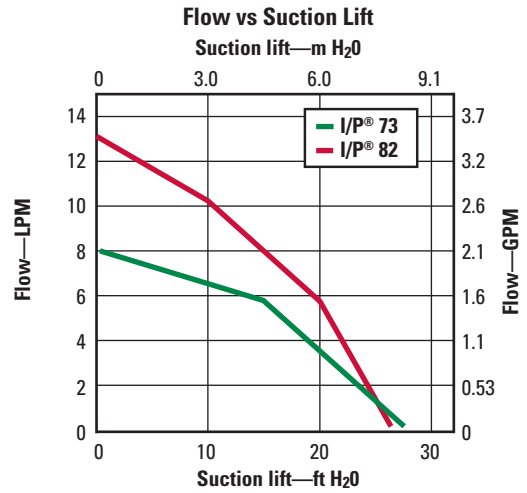
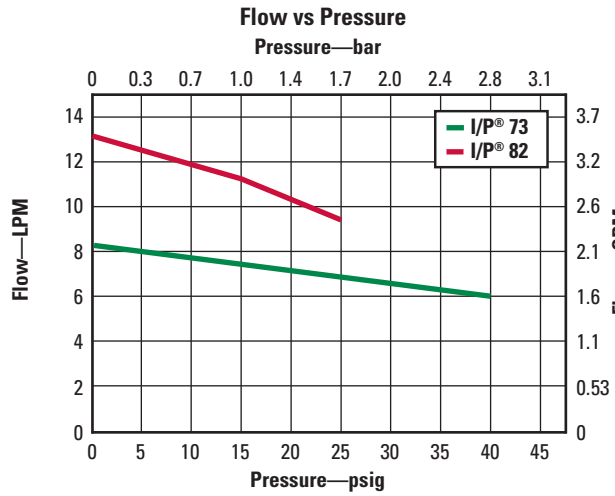
L/S® HIGH-PERFORMANCE PUMP HEAD



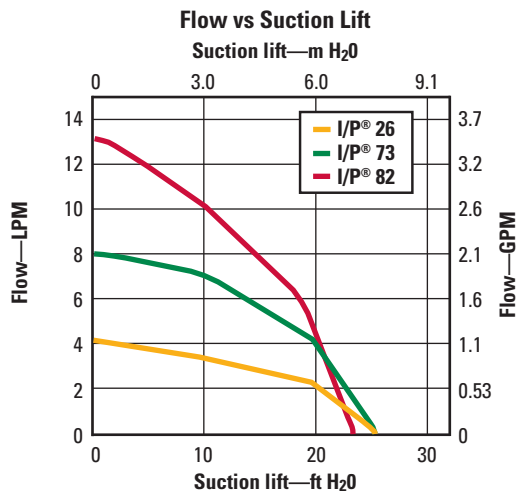
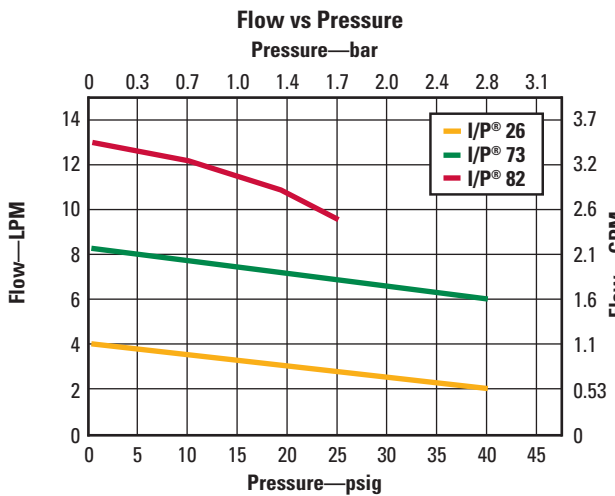
Note: Pressure curves developed with zero to one foot suction lift. Suction lift curves developed with zero discharge pressure. Pump speed: 650 rpm. Fluid: water at ambient temperature.



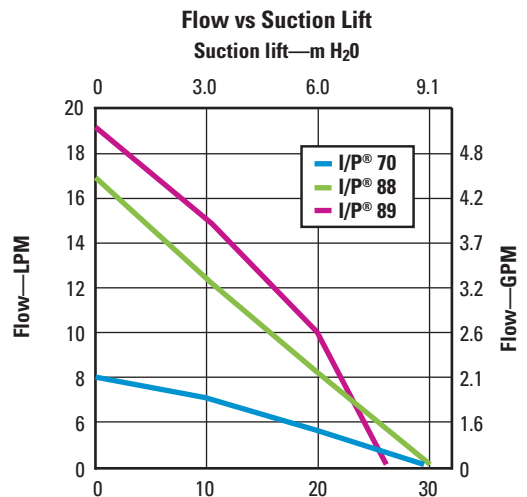
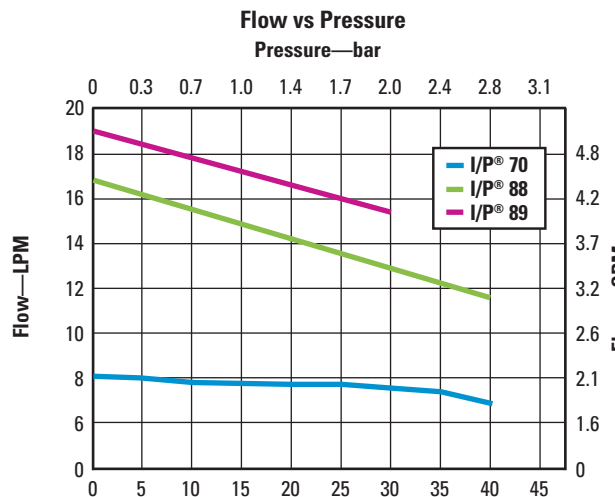
I/P® STANDARD PUMP HEAD



I/P® EASY-LOAD® PUMP HEAD



I/P® HIGH-PERFORMANCE PUMP HEAD



Note: Pressure curves developed with zero to one foot suction lift. Suction lift curves developed with zero discharge pressure. Pump speed: 650 rpm. Fluid: water at ambient temperature.

PUMP HEAD TORQUE REQUIREMENTS

HOW TO USE THESE TABLES

Use this guide to help you select the number of pump heads and tubing formulations that can be used with your drives.

To define your torque needs:

- Consider the following:
 - Discharge pressure (increase necessary torque)
 - Tubing material (firm or soft)
- Multiply by the number of pump heads you would like to use (to run two heads with the same size and formulation of tubing, multiply the value from the table by 1.9). See example at right.
- See drive specifications for maximum torque limits. (Consider starting torque when selecting a drive.) The torque of the drive must exceed the starting torque value for the pump head/tubing combination. Note: starting torque is equal to approximately three times (3x) maximum running torque for drives of 75 W (1/10 hp) or greater.

4. Several factors influence starting torque:

- New or used tubing
- Tubing formulation
- Length of time tubing has been in closed pump head without running
- Temperature
- Pressure

EXAMPLE

Using one Easy-Load® II pump head with L/S® 15 Norprene® tubing requires a drive capable of supplying at least 81.1 N-cm (115 oz-in.) of starting torque.

When using two Easy-Load® II pump heads with L/S® 15 Norprene® tubing, you will need a drive capable of supplying 154 N-cm (218 oz-in.) of starting torque.

STARTING TORQUE USING THE L/S® AND I/P® STANDARD PUMP HEAD

| Tubing size | C-FLEX® / Silicone | | BioPharm Plus silicone | | Viton® | | Tygon® E-Lab | | Tygon® E-LFL | | Tygon® E-Food / Tygon® Fuel & Lubricant | | Tygon® Chemical | | Chem-Durance® Bio | | Norprene® / Puri-Flex™ / PharMed® BPT / C-Flex® ULTRA | | PharmaPure® | | GORE® Style 100SC | |
|--|--------------------|-------|------------------------|-------|--------|-------|--------------|-------|--------------|-------|---|-------|-----------------|-------|-------------------|-------|---|-------|-------------|-------|-------------------|-------|
| | N-cm | oz-in | N-cm | oz-in | N-cm | oz-in | N-cm | oz-in | N-cm | oz-in | N-cm | oz-in | N-cm | oz-in | N-cm | oz-in | N-cm | oz-in | N-cm | oz-in | N-cm | oz-in |
| L/S® Precision pump tubing | | | | | | | | | | | | | | | | | | | | | | |
| L/S 13 | 7.7 | 11 | 9.2 | 13 | 11.3 | 16 | 22.5 | 32 | 17 | 24 | 42.3 | 60 | — | — | — | — | 19.8 | 28 | — | — | NA | NA |
| L/S 14 | 9.9 | 14 | 11.3 | 16 | 13.4 | 19 | 49.4 | 70 | 22.5 | 32 | 84.7 | 120 | — | — | — | — | 25.3 | 36 | — | — | 81.1 | 115 |
| L/S 16 | 18.3 | 26 | 18.3 | 26 | 15.5 | 22 | 70.6 | 100 | 51.5 | 73 | 81.1 | 115 | — | — | — | — | 52.9 | 75 | — | — | 88.2 | 125 |
| L/S 17 | 26.9 | 38 | 33.9 | 48 | 45.9 | 65 | 105.8 | 150 | 77.6 | 75 | 127 | 180 | — | — | — | — | 116.4 | 165 | — | — | 226 | 320 |
| L/S 18 | 42.3 | 60 | 38.8 | 55 | 60 | 85 | 91.7 | 130 | 70.6 | 90 | 180.6 | 256 | — | — | — | — | 169.3 | 240 | — | — | 305 | 432 |
| L/S® High-performance Precision pump tubing | | | | | | | | | | | | | | | | | | | | | | |
| L/S 15 | 24 | 34 | 35.3 | 50 | 21.2 | 30 | 105.8 | 150 | 70.6 | 115 | 225.8 | 320 | — | — | — | — | 91.7 | 130 | — | — | 91.7 | 130 |
| L/S 24 | 42.3 | 60 | 98.8 | 140 | 64.9 | 92 | 127 | 180 | 98.8 | 140 | 316.1 | 448 | — | — | — | — | 135.4 | 192 | — | — | 120 | 170 |
| L/S 35 | 41.7 | 59 | 50.8 | 72 | 113 | 160 | 151 | 214 | 113 | 160 | 304.8 | 432 | — | — | — | — | 152.4 | 216 | — | — | 124.2 | 176 |
| L/S 36 | 49.4 | 70 | 77.6 | 110 | 147 | 208 | 140 | 198 | 113 | 160 | — | — | — | — | — | — | 169.3 | 240 | — | — | NA | NA |
| I/P® Precision pump tubing | | | | | | | | | | | | | | | | | | | | | | |
| I/P 73 | 90.4 | 128 | 124.2 | 176 | 137.6 | 195 | 225.8 | 320 | 147 | 208 | 548 | 776 | — | — | — | — | 214.5 | 304 | — | — | 226 | 320 |
| I/P 82 | 77.6 | 110 | 203.4 | 288 | NA | NA | 338.7 | 480 | 135.4 | 192 | 678 | 960 | — | — | — | — | 225.8 | 320 | — | — | 452 | 640 |

STARTING TORQUE USING L/S® AND I/P® EASY-LOAD® AND EASY-LOAD® II PUMP HEADS

| Tubing size | C-FLEX® / Silicone | | BioPharm Plus silicone | | Viton® | | Tygon® E-Lab | | Tygon® E-LFL | | Tygon® E-Food / Tygon® Fuel & Lubricant | | Tygon® Chemical | | Chem-Durance® Bio | | Norprene® / Puri-Flex™ / PharMed® BPT / C-Flex® ULTRA | | PharmaPure® | | GORE® Style 100SC | |
|--|--------------------|-------|------------------------|-------|--------|-------|--------------|-------|--------------|-------|---|-------|-----------------|-------|-------------------|-------|---|-------|-------------|-------|-------------------|-------|
| | N-cm | oz-in | N-cm | oz-in | N-cm | oz-in | N-cm | oz-in | N-cm | oz-in | N-cm | oz-in | N-cm | oz-in | N-cm | oz-in | N-cm | oz-in | N-cm | oz-in | N-cm | oz-in |
| L/S® Precision pump tubing | | | | | | | | | | | | | | | | | | | | | | |
| L/S 13 | 7.7 | 11 | 9.2 | 13 | 12 | 17 | 21.2 | 30 | 12 | 17 | 56.4 | 80 | 17 | 24 | 21.2 | 30 | 14.1 | 20 | 20.5 | 29 | NA | NA |
| L/S 14 | 11.3 | 16 | 12.7 | 18 | 16.3 | 23 | 31.8 | 45 | 19 | 27 | 63.5 | 90 | 35.3 | 50 | 35.3 | 50 | 28.2 | 40 | 27.5 | 39 | 24.7 | 35 |
| L/S 16 | 11.3 | 16 | 13.4 | 19 | 24.7 | 35 | 38.8 | 55 | 42.4 | 60 | 63.5 | 90 | 45.9 | 65 | 56.4 | 80 | 31.8 | 45 | 63.5 | 90 | 63.5 | 90 |
| L/S 25 | 21.2 | 30 | 45.9 | 65 | 21.2 | 30 | 60 | 85 | 35.3 | 50 | 52.9 | 75 | 63.5 | 90 | 84.7 | 120 | 35.3 | 50 | 50.8 | 72 | 91.7 | 130 |
| L/S 17 | 24.7 | 35 | 36 | 51 | 35.3 | 50 | 56.4 | 80 | 61.4 | 87 | 84.7 | 120 | 45.9 | 65 | 84.7 | 120 | 84.7 | 120 | 70.6 | 100 | 42.3 | 60 |
| L/S 18 | 35.3 | 50 | 38.8 | 55 | 52.9 | 75 | 70.6 | 100 | 35.3 | 50 | 84.7 | 120 | 52.9 | 75 | 113 | 160 | 84.7 | 120 | 91.7 | 130 | 70.6 | 100 |
| L/S® High-performance Precision pump tubing | | | | | | | | | | | | | | | | | | | | | | |
| L/S 15 | 45.9 | 65 | 49.4 | 70 | 45.9 | 65 | 88.2 | 125 | 77.6 | 110 | 197.6 | 280 | — | — | 113 | 160 | 81.1 | 115 | 77.6 | 110 | 70.6 | 100 |
| L/S 24 | 38.8 | 55 | 49.4 | 70 | 74.1 | 105 | 95.3 | 135 | 70.6 | 100 | 208.2 | 295 | 192 | 272 | 119.9 | 170 | 84.7 | 120 | 113 | 160 | 49.4 | 70 |
| L/S 35 | 56.4 | 80 | 60 | 85 | 77.6 | 110 | 98.8 | 140 | 70.6 | 100 | 192 | 272 | — | — | 124.1 | 176 | 124.2 | 176 | — | — | 91.7 | 130 |
| L/S 36 | 49.4 | 70 | 77.6 | 110 | 70.6 | 100 | 113 | 160 | 105.8 | 150 | 214.5 | 304 | — | — | 135.3 | 192 | 109.4 | 155 | — | — | NA | NA |
| I/P® Precision pump tubing | | | | | | | | | | | | | | | | | | | | | | |
| I/P 76 | 113 | 160 | 113 | 160 | — | — | 203.2 | 288 | 147 | 208 | 248.3 | 352 | 327.4 | 464 | — | — | 180.6 | 256 | 226 | 320 | 127 | 180 |
| I/P 73 | 169.3 | 240 | 169.3 | 240 | 192 | 272 | 316.1 | 448 | 180.6 | 256 | 481.9 | 683 | 282.2 | 400 | 304.6 | 432 | 316.1 | 448 | 248.3 | 352 | 192 | 272 |
| I/P 82 | 180.6 | 256 | 192 | 272 | NA | NA | 304.8 | 432 | 225.8 | 320 | 474.1 | 672 | 395.1 | 560 | 429.3 | 608 | 282.2 | 400 | 338.7 | 480 | 338.7 | 480 |

NA = Not available or applicable

— Not recommended



HOW TO USE THIS TABLE

Use this guide to help you select the number of pump heads and tubing formulations that can be used with your drives.

To define your torque needs:

1. Consider the following:
 - ▶ Discharge pressure (increase necessary torque)
 - ▶ Tubing material (firm or soft)
2. See drive specifications for maximum torque limits. (Consider starting torque when selecting a drive.) The torque of the drive must exceed the starting torque value for the pump head/tubing combination. Note: starting torque is equal to approximately three times (3x) maximum running torque.

3. Several factors influence starting torque:

- ▶ New or used tubing
- ▶ Tubing formulation
- ▶ Length of time tubing has been in closed pump head without running
- ▶ Temperature
- ▶ Pressure

EXAMPLE

Using one High-Performance pump head with L/S® 15 Norprene® tubing requires a drive capable of supplying at least 105.8 N-cm (150 oz-in) of starting torque.

STARTING TORQUE USING THE L/S® AND I/P® HIGH-PERFORMANCE PUMP HEADS

| Tubing size | C-FLEX® / Silicone | | BioPharm Plus silicone | | Viton® | | Tygon® E-Lab | | Tygon® E-LFL | | Tygon® E-Food / Tygon® Fuel & Lubricant | | Tygon® Chemical | | Chem-Durance® Bio | | Norprene® / Puri-Flex™ / PharMed® BPT / C-Flex® ULTRA | | PharmaPure® | | GORE® Style 100SC | | |
|--|--------------------|-------|------------------------|-------|--------|-------|--------------|-------|--------------|-------|---|-------|-----------------|-------|-------------------|-------|---|-------|-------------|-------|-------------------|-------|----|
| | N-cm | oz-in | N-cm | oz-in | N-cm | oz-in | N-cm | oz-in | N-cm | oz-in | N-cm | oz-in | N-cm | oz-in | N-cm | oz-in | N-cm | oz-in | N-cm | oz-in | N-cm | oz-in | |
| L/S® High-pressure pump tubing | | | | | | | | | | | | | | | | | | | | | | | |
| L/S 15HP† | NA | NA | NA | NA | NA | NA | NA | NA | NA | NA | NA | NA | NA | NA | NA | NA | NA | 428.9 | 608 | NA | NA | NA | NA |
| L/S 16HP† | NA | NA | NA | NA | NA | NA | NA | NA | NA | NA | NA | NA | NA | NA | NA | NA | NA | 496.7 | 704 | NA | NA | NA | NA |
| L/S® High-performance Precision pump tubing | | | | | | | | | | | | | | | | | | | | | | | |
| L/S 15 | 35.3 | 50 | 56.4 | 80 | 70.6 | 100 | 127 | 180 | 84.7 | 120 | 271 | 384 | — | — | — | — | 105.8 | 150 | — | — | 123.5 | 175 | |
| L/S 24 | 35.3 | 50 | 63.5 | 90 | 91.7 | 130 | 120 | 170 | 77.6 | 110 | 282.2 | 400 | — | — | — | — | 120 | 170 | — | — | 180.5 | 256 | |
| L/S 35 | 52.9 | 75 | 64.9 | 92 | 84.7 | 120 | 158.1 | 224 | 98.8 | 140 | — | — | — | — | — | — | 124.2 | 176 | — | — | 225.8 | 320 | |
| L/S 36 | 52.9 | 75 | 77.6 | 110 | 105.8 | 150 | 146.7 | 208 | 112.9 | 160 | — | — | — | — | — | — | 135.4 | 192 | — | — | NA | NA | |
| I/P® High-performance Precision pump tubing | | | | | | | | | | | | | | | | | | | | | | | |
| I/P 26‡ | 226 | 320 | 248.3 | 352 | NA | NA | 338.7 | 480 | 316.1 | 448 | — | — | — | — | 485.8 | 688 | 496.7 | 704 | — | — | 237.1 | 336 | |
| I/P 73‡ | 180.6 | 256 | 237.1 | 336 | NA | NA | — | — | 259.6 | 368 | — | — | — | — | 575.3 | 816 | 428.9 | 608 | — | — | 338.7 | 480 | |
| I/P 82‡ | 158.1 | 224 | 180.6 | 256 | NA | NA | 361.2 | 432 | 259.6 | 368 | — | — | — | — | 564.5 | 800 | 451.6 | 640 | — | — | 406.4 | 576 | |

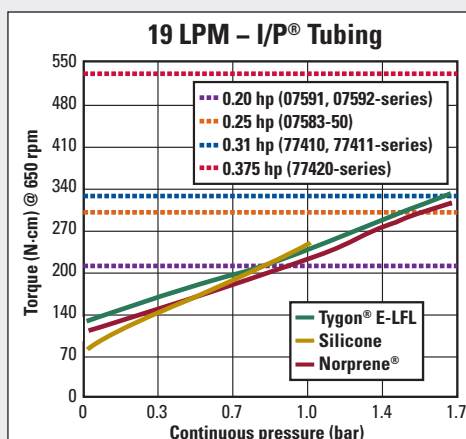
† Can only be used and started on a 100 rpm drive ‡ Starting torque based on notch #1. NA = Not available or applicable — Not recommended

TORQUE SPECIFICATIONS FOR L/S® PTFE-DIAPHRAGM PUMP HEAD

| Catalog number | HL-07090-62 | | HL-07090-42 | |
|----------------|----------------------|----------------------|------------------------|------------------------|
| | Discharge pressure | 0 bar (0 psi) | 5.2 bar (75 psi) | 0 bar (0 psi) |
| Start | 56.8 N-cm (80 oz-in) | — | 127.4 N-cm (180 oz-in) | — |
| Average | 21.2 N-cm (30 oz-in) | 28.2 N-cm (40 oz-in) | 24.5 N-cm (35 oz-in) | 52.9 N-cm (75 oz-in) |
| Peak | 31.8 N-cm (45 oz-in) | 53.8 N-cm (75 oz-in) | 63.5 N-cm (90 oz-in) | 123.8 N-cm (175 oz-in) |



DRIVE TORQUE REQUIREMENTS TO OBTAIN 19 LPM WITH I/P® HIGH-PERFORMANCE PUMP HEADS



Choose your drive based on desired flow rate, pressure in your application, and type of tubing used. For example, if you need 19 LPM at 1.4 bar and are using Norprene® tubing, you need a drive that supplies 0.25 hp (07583-50).

Some flow rate/pressure combinations are not possible with all drives. High-performance pump head is designed exclusively for use with High-performance Precision tubing.



High-Performance pump head 77600-62. Order on pages 126–127.

TIPS FOR DISPENSING APPLICATIONS

Masterflex® digital pump drives are ideal for laboratory and process dispensing applications. Accuracies of $\pm 0.5\%$ and better are achievable with careful pump system selection and by following some simple guidelines.

DISPENSING BENEFITS OF MASTERFLEX® TUBING PUMPS

- ▶ Variety of available tubing formulations ensures chemical and biocompatibility with your fluid
- ▶ A continuous piece of tubing from inlet to outlet minimizes obstructions and interruptions in the fluid path
- ▶ Gentle pumping action is ideal for shear-sensitive fluids and fluids containing proteins and other large molecules
- ▶ Wide range of flow rates provides flexibility in volume and time of dispense
- ▶ Simple and reliable calibration ensures accuracy and repeatability
- ▶ Nonsiphoning; prevents backflow and enhances dispensing accuracy
- ▶ Multichannel capability with synchronous or independently controlled channels

PUMP HEAD SELECTION

Masterflex® Standard, Easy-Load®-series, and High-performance pump heads all deliver excellent results in dispensing applications.

Multichannel Options

Three types of pump head adapt easily to multichannel applications: stackable single-channel heads, multichannel heads, and cartridge heads. Multichannel and cartridge heads provide for the maximum number of tubing channels within a relatively small space.

Stackable Single-Channel Pump Heads

You can add or remove stackable single-channel heads as needed for different applications. Stackable pump heads are therefore popular for applications that require the flexibility to frequently reconfigure the pump design. Stackable heads are preferred for larger tubing sizes, and when the application involves high suction lift and/or discharge pressure.

Two or four stacked heads can typically be mounted on a drive depending on the drive's speed range and horsepower. The dual channel Masterflex® L/S® Easy-Load® II pump head can give you up to 8 channels with four heads stacked on a single drive.

Multichannel Pump Heads

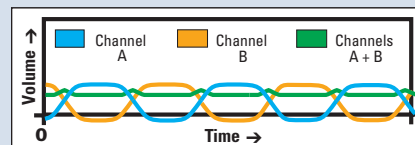
Multichannel heads are a second option for multiple channel applications. These heads combine many of the best features of both cartridge heads and stacked single-channel heads.

These heads offer relatively low pulsation flow from two, four, or eight channels with no cartridges. They are also stackable for up to 32 channels depending on tubing size and formulation and drive power. Between-channel flow is synchronous with no adjustment of occlusion. These features give multichannel heads the configuration flexibility of stacked single-channel heads, as well as the synchronous flow and channel capacity of cartridge heads.

Masterflex® L/S® multichannel pump heads are available for microbore tubing and for Masterflex® L/S® tubing sizes.

REDUCED PULSATION

Minimal pulsation is essential to ensuring accuracy in peristaltic dispensing. Pulsation causes variations in flow rate and splashing and frothing in the receiving vessel. Combining the split-channel tubing configuration with the offset rollers of two stacked Easy-Load® II pump heads merges a pulse from one channel with a trough from the other. The reduced pulsation is measured at the outlet and shown in the graph at right.



Cartridge Pump Heads

Cartridge pump heads accept a predetermined maximum number of channels—any number of these channels can be used, up to the capability of the head and the drive. Masterflex® L/S® cartridge heads can be mounted on most Masterflex® L/S® drives. Up to 12 individual channels mount on a single head with flow rates as low as 0.0005 mL/min per channel.

Cartridge pumps have long rollers that provide synchronous fluid delivery between the cartridges. These pump heads also have a higher number of rollers than single-channel heads, which results in lower pulsation flow and higher accuracy at low volumes and low flow rates. These pumps are recommended for low volume/low flow rate fluid transfer applications.

Cartridge heads with adjustable occlusion offer the highest between-channel accuracy of all pump head types. Fine adjustments to the occlusion in individual channels can effectively compensate for any minor variations in tubing dimensions that lead to slight variations in flow.

Accuracy

Cartridge and multichannel pump heads are popular for accurate sampling, dispensing, and metering of fluids. The synchronous rollers provide coordinated fluid delivery between each channel in the pump head. Multichannel heads deliver between-channel flow accuracies in the range of 1.5 to 2% (depending on tubing formulation). With adjustable occlusion, cartridge pump heads can deliver flow accuracies of <1% between channels. Precise dispensing and metering require this high level of performance and accuracy.

FREE TECHNICAL APPLICATIONS ASSISTANCE

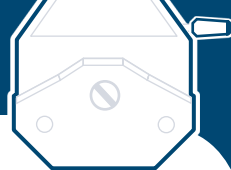
Our team of **scientific experts** is trained to answer your most **challenging questions** because they are **experienced** in a wide variety of backgrounds, including **biology, chemistry, biochemical engineering, and physics**.



For answers, call our
APPLICATION SPECIALISTS

CHALLENGE: A pharmaceutical manufacturer needed to dispense volumes of 300 mL in 15 seconds or less repeating three times per minute; and 20 mL in 2 seconds or less repeating 20 times per minute. The desired accuracy target for both applications was $\pm 1.5\%$. The efficiency of simultaneously pumping multiple channels was critical.

OUR SOLUTION: The manufacturer now uses a Masterflex® L/S® digital drive 07522-20 (see pages 88–89) with an L/S four-channel pump head 07536-04 (see pages 54–55). Size L/S 15 two-stop BioPharm Plus silicone tubing (96116-15) met the smaller flow requirement; while size L/S 35 two-stop BioPharm Plus silicone tubing (96116-35) met the larger flow requirement. BioPharm Plus silicone tubing is recommended for high-accuracy dispensing applications due to its exceptional flow stability over time. Careful calibration of the drive and the synchronous multichannel flow capability of the pump head enabled the manufacturer to meet the accuracy target.



TUBING SELECTION

Chemical Compatibility

Refer to the chemical compatibility charts specific to pump tubing on pages 30–31. These charts are compiled from actual test data in peristaltic pumps.

Temperature Sensitivity

The friction caused by the rollers moving over the tubing will generate measurable heat. This heat generation can affect the mechanical properties of the tubing and result in slight variations in performance. PVC-based formulations show the most pronounced temperature sensitivity. Due to minimal temperature sensitivity, recommended formulations for dispensing applications are BioPharm Plus silicone, PharMed® BPT, PharmaPure®, Norprene®, and GORE® Style 100SC. BioPharm Plus tubing has characteristics that make it ideal for dispensing: superior shape memory throughout its life in the pump, little cross-sectional distortion over time, and minimal variation in flow over time. This superior shape memory is sufficient to offset the need for an initial break-in period.

Size/Flow Range

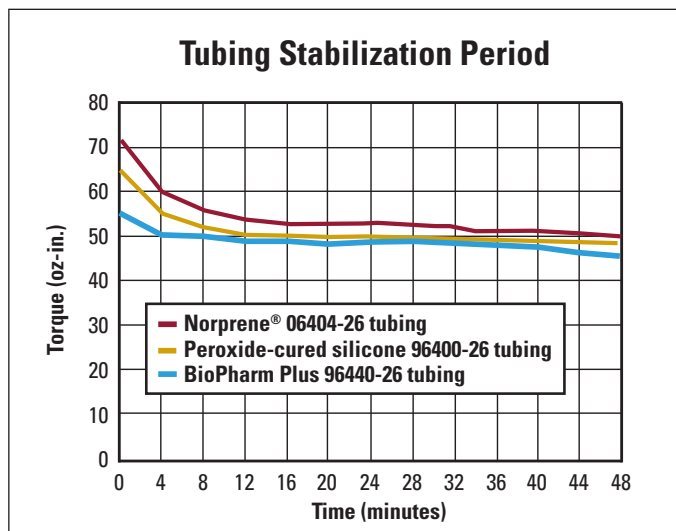
Size your tubing so that you are operating at the middle of the tubing's flow range (volume per unit time). This will give you maximum flexibility to make adjustments without approaching either the upper or lower limit of the tubing flow range.

Loading the Tubing in the Pump Head

You will realize optimal performance, and best pumping life, if you are careful not to impart any twist or torsion to the tubing when loading. Tubing has a natural curvature—follow that curvature when laying the tubing across rollers or onto occlusion bed.

Tubing Break-In Period

Peristaltic pump tubing shows a distinct increase in flow stability after the first few minutes of pumping. During this break-in period the tubing adapts to the repeated compression of the rollers. For tubing in the L/S® sizes the break-in period is 10 to 15 minutes; for I/P® tubing sizes 12 to 18 minutes.



Tubing Dimensions and Tolerances

Masterflex drives, pump heads, and pump tubing have all been co-designed, and are continually being monitored and refined, to deliver best performance when used together in complete pump systems. The exact dimensions and manufacturing tolerances of the tubing have direct impacts on maximizing tubing life and dispensing accuracy.

The flow rate for a given size of tubing is derived from the volume pumped per each revolution of the rollers. Volume pumped per revolution is directly proportional to the inside diameter of the tubing. Even slight variations in inside diameter can have significant impact on flow accuracy. Variations in the outside diameter of the tubing can result in the tubing not being properly retained in the pump head and being either over- or under-occluded. These

problems can also impact accuracy as well as tubing life. Masterflex pump tubing is manufactured to very precise tolerances and monitored and tested to verify those tolerances. To realize the maximum accuracy and repeatability from your Masterflex pump drive, we strongly recommend that you use only Masterflex pump tubing.

Regulatory Classifications for Tubing

Several Masterflex tubing formulations comply with industry-critical regulations. Relevant classifications include those specified by the United States Pharmacopoeia (USP), European Pharmacopoeia (EP), US Food and Drug Administration (FDA), U.S. Department of Agriculture (USDA) and National Sanitation Foundation (NSF).

Upon request, Cole-Parmer will provide you with a certificate validating that the tubing is in compliance with a particular regulation. This documentation will ensure that you can demonstrate compliance with your individual protocols.

DRIVE SELECTION

Masterflex systems offer digital drives with features designed for dispensing applications. Drives are available in console, modular, and modular washdown configurations.

Dispense Features

- **Dispense by volume**—lets you program the volume to be dispensed for either single or multiple cycles
- **Dispense by time**—allows you to run the pump at a programmed flow rate for a specified period of time
- **Copy**—lets you program the number of dispense cycles or repeats.
- **Dispense interval**—an adjustable time delay between cycles, gives you ample time to reposition the tubing or filling accessory or to switch target vessels
- **Batch count**—this feature allows you to program a defined number of batches; as the pump operates, the number of batches completed is displayed alongside the programmed total
- **Cumulative volume**—displays the total volume dispensed over multiple cycles
- **Dispense by weight**—requires an RS-232 or balance-compatible interface (available on the L/S 07551-00 and -10 Computer-Compatible drive and on the L/S Digi-Staltic® modular dispensing pump)
- **Antidrip feature**—briefly reverses the rollers at the end of the dispense cycle, further ensuring accuracy (available on the L/S Digi-Staltic modular dispensing pump)



Remote Control

Remote control options enable easy integration of pumps into automated systems and also enhance user comfort in repetitive dispensing applications. Controllable functions include start/stop, reverse, prime, dispense or copy, and speed. Drives are available with analog (DC voltage, current, or contact closure) and/or digital (RS-232, USB) interfaces. Control accessories include foot switches and dispensing wands for momentary start/stop and a full-function handheld remote controller for selected drives.

Calibration

Proper calibration is essential to dispensing accuracy. Follow the directions in the drive operating manual and perform no more than two or three successive calibrations. Masterflex® digital dispensing drives store one calibration value per tubing size and will hold that value in memory until the pump is recalibrated for that particular tubing size. Calibration conditions should be identical to the actual dispensing conditions. Backpressure, fluid viscosity, and temperature should not vary from calibration throughout dispensing. Remember to break in the tubing for the described period (see above) before calibration.

PUMPING ABRASIVE FLUIDS

Masterflex® tubing pumps are well suited for pumping abrasive slurries for several reasons. The peristaltic pumping action is gentle on the fluid, reducing tubing wear. The only part of the pump the fluid comes in contact with is a smooth piece of tubing; there are no fittings or valves that particles may clog. Abrasive materials shorten the life of any pump, but with peristaltic pumps the tubing is quickly and inexpensively replaced.

Follow these suggestions to get the maximum performance from your peristaltic tubing pump:

- 1. Choose abrasion-resistant tubing.** Norprene® and PharMed® BPT have good abrasion resistance. Tygon® is fair with abrasives, while C-FLEX®, silicone, and Viton® are moderately resistant to wear from abrasive materials.
- 2. Use an adjustable-occlusion pump head.** The standard occlusion for all Masterflex® fixed-occlusion pump heads is shown in Figure A. Abrasive materials, especially hard particles, are pressed into the tubing wall and can cause a great amount of wear. Using an adjustable-occlusion pump head allows you to reduce the amount that the tubing is squeezed (Figure A); the result is less wear on the tubing. By increasing the occlusion to prime the tubing and then reducing it to pump, you'll get maximum performance from your pump with the least amount of wear on the tubing.
- 3. Select a larger tubing size.** This will reduce the rate that particles come into contact with the tubing wall. Soft particles should have an ID less than 25% of the ID of the tubing. Hard particles should be even smaller in relation to the ID of the tubing (less than 5%). Maintaining these ratios will reduce the rate that the tubing is being worn from the inside (Figure B).
- 4. Slow down the speed of the drive.** This will cause a more gentle pumping action and increase the life of your tubing. Since many slurries are also viscous, slowing down the drive speed will also increase the efficiency of the pump.

FIGURE A

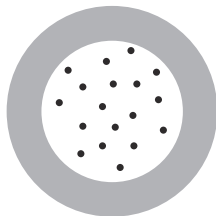


Fully occluded tubing

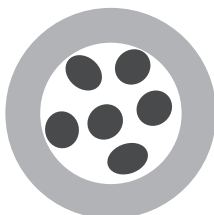


Partially occluded tubing

FIGURE B



Hard particle size should be 5% of tubing ID



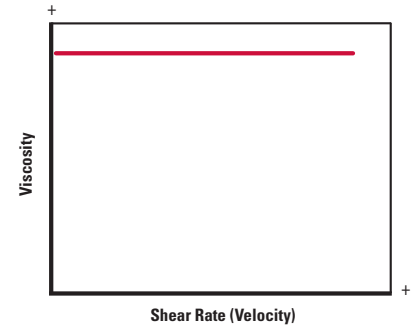
Soft particle size should be 25% of tubing ID

VISCOUS FLUID BEHAVIOR

Effective viscosity can be better understood by looking at the behavior of viscous fluids at different shear rates. There are a number of types of viscous fluid behavior.

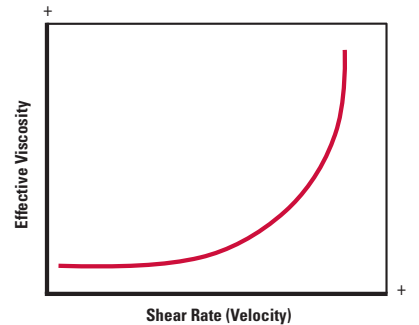
NEWTONIAN FLUIDS

Viscosity is constant with change in shear rate or agitation. Forces to cause motion increase proportionately as speed increases. Fluids showing Newtonian behavior include water, mineral oils, syrup, hydrocarbons, and resins.



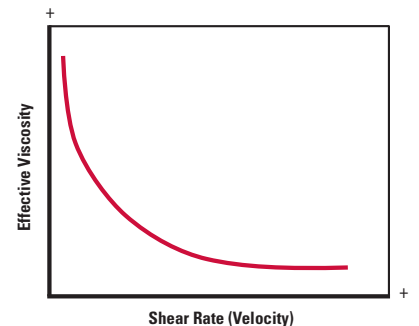
DILATANT FLUIDS

Viscosity increases as shear rate increases. Forces to cause motion may greatly increase as speed increases. Some liquids showing dilatant behavior are slurries, clay, and candy compounds.



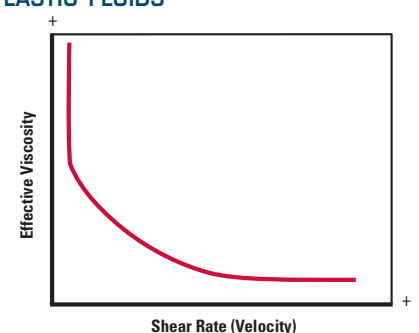
THIXOTROPIC FLUIDS

Viscosity decreases as shear rate or agitation increases. The forces to cause motion are relatively lower as speed increases. Examples are soaps, tars, vegetable oils, shortening, glue, inks, peanut butter, and some slurries.



PLASTIC/PSEUDO-PLASTIC FLUIDS

Viscosity decreases as shear rate increases, but initial viscosity may not be great enough to prevent start of flow in a typical pumping system. Typical plastic fluids are gels, latex paints, lotions, and shortening.





TUBING SELECTION FOR PUMPING VISCOUS FLUIDS

TO MAXIMIZE THE PUMPING EFFICIENCY OF VISCOUS FLUIDS, FOLLOW THESE STEPS:

1. Slow down the speed of your pump. Increasing the speed beyond a certain point will not have any effect on flow rate. The maximum efficient speed of the pump decreases as viscosity increases and tubing size decreases.
2. Choose a larger size tubing than required to pump water. The table below will help you choose the best size.
3. Choose a firm tubing such as Chem-Durance® Bio, GORE® Style 100SC and Style 500, Norprene®, PharmaPure®, PharMed® BPT, and Tygon® E-LFL. Performance will be better because the tubing returns to its original shape quickly after pump head occlusion. For L/S®, I/P®, and B/T® sizes, choose high-performance precision tubing—the thicker wall also returns more quickly to its original shape than precision tubing. The quicker return allows liquid to be pulled into the tubing with greater force.
4. Select a tubing with a smooth bore. A smooth bore will decrease frictional forces. BioPharm, BioPharm Plus, Tygon® E-Lab, Tygon® E-LFL, or silicone formulations are good choices.
5. Decrease the viscosity of your fluid. Heat your fluid if possible; viscosity usually decreases with temperature.

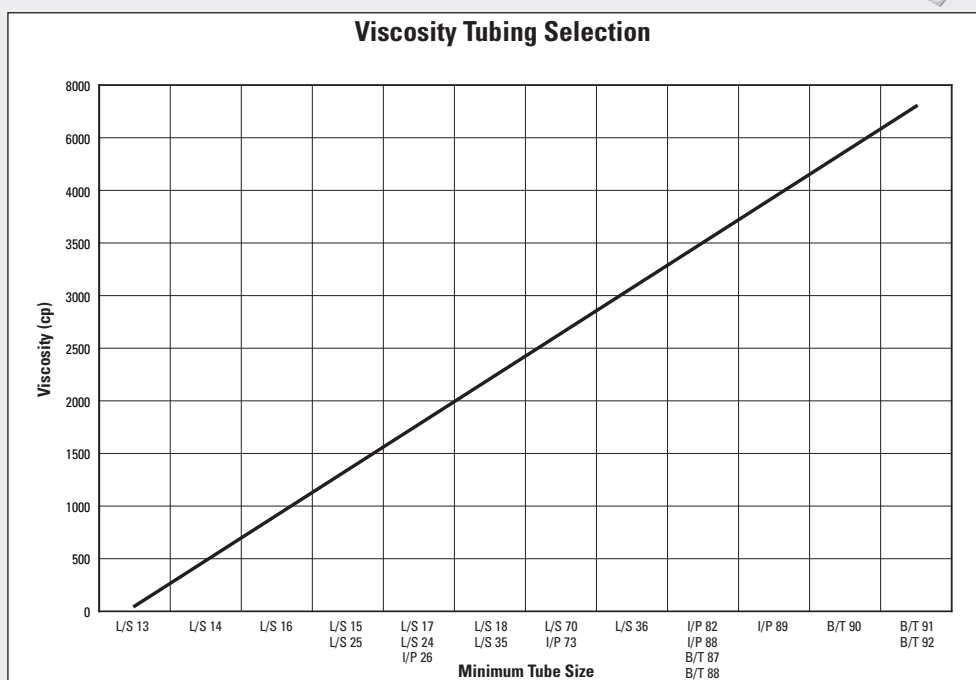


TUBING SELECTION GUIDE FOR PUMPING VISCOUS FLUIDS

How to use this graph:

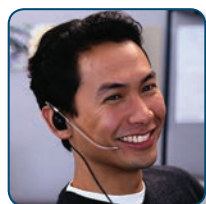
Example: You have an 800 centipoise fluid that you wish to pump and you need to determine what the minimum tubing size you need to pump this viscous fluid. Look at the Viscosity axis on the left hand side of the graph and find 800 centipoise. Follow this over until it meets the line. At the intersection of the line and 800 centipoise, follow this down to the Minimum Tube Size axis to see which tubing range it falls within. In this scenario the 800 centipoise falls in the range of the L/S 16 tubing size. Therefore, the minimum tube size needed to pump 800 centipoise is L/S size 16. All viscosities below 800 centipoise can be used with an L/S size 16 tube as well.

Considerations: All viscosity test data was obtained using firm tubing materials such as Norprene®, PharMed® BPT, Viton®, and Tygon® because these formulations perform the best in viscous fluid applications. Tests were performed with fluids at 21°C (70°F) and 0 bar (0 psig) of back pressure. This graph is best used as a general guideline only, and is not a guarantee that you will achieve the results shown.



FREE TECHNICAL APPLICATIONS ASSISTANCE

Our team of **scientific experts** is trained to answer your most **challenging questions** because they are **experienced** in a wide variety of backgrounds, including **biology, chemistry, biochemical engineering, and physics**.



For answers, call our
APPLICATION SPECIALISTS

CHALLENGE: An adhesives manufacturer needed to dose different types and different volumes of viscous rapid-drying glue. Pumps with valves and moving parts were prone to getting stuck or would have to be cleaned very thoroughly at the end of a session. In some cases, pumps were damaged beyond recovery.

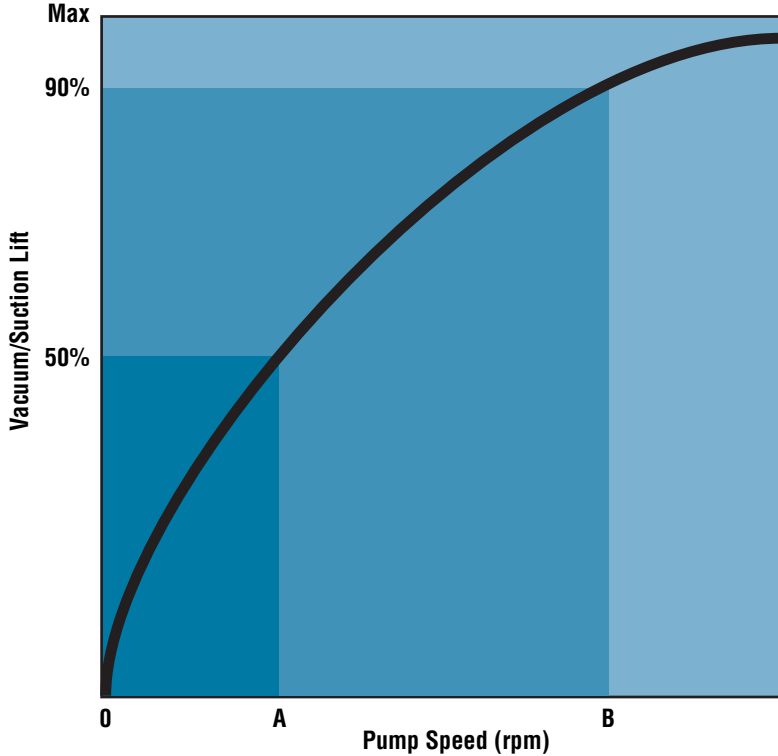
OUR SOLUTION: We recommended L/S® 24 high-performance precision (thicker-walled) platinum-cured silicone tubing. Silicone is the only tubing that can be used more than once. The rapid-drying glue can actually be stored in the silicone tubing for several days if the outlet of the tubing is closed.

The manufacturer now uses an L/S® standard digital drive 07522-20 (see pages 88–89) and Easy-Load® II pump head 77200-62 (see pages 44–45) to dose 20 and 50 mL of rapid-drying glue with a viscosity of approximately 1200 cp. Oversizing the tubing allows the pump to run at speeds under 200 rpm; facilitating pumping of the viscous glue.

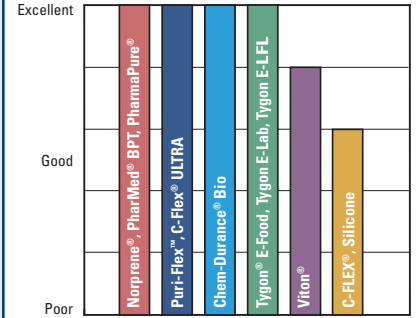
MASTERFLEX® VACUUM/SUCTION LIFT DATA

Masterflex® pumps offer excellent vacuum/suction lift. To achieve maximum lift, choose your tubing size and material carefully. The lower the ID-to-wall ratio, the better the vacuum performance. The stiffer the wall material, the better the vacuum level. In general, Norprene®/PharMed® BPT materials enable you to generate the highest level of vacuum before collapsing, and give you the longest life in a fluidless application; adjustable occlusion pump heads generate the best level of vacuum.

The easy-to-use graph and table below can help you determine the speed required to achieve the vacuum level required. All of the vacuum tests were conducted with either the Standard, High-Performance, or Rapid-Load® pump heads, depending on tubing size. The rated vacuum was generated after running for two minutes.



VACUUM/SUCTION LIFT



Vacuum/suction lift capability depends greatly on the tubing's ability to maintain its shape. Thus, a firmer tubing type in the smallest possible bore size will generate a stronger vacuum for your application. Higher drive speeds are required to generate the strongest possible vacuum with some tubing sizes.

EXAMPLE 1

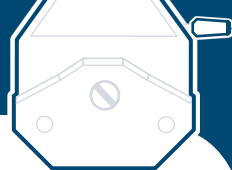
To generate a 13 in. Hg vacuum (almost 50%) using L/S® 13 silicone tubing, the motor speed must be at least 5 rpm. The pump system will generate the vacuum in about 30 to 60 seconds, depending on the length of the tubing system that needs to be evacuated.

EXAMPLE 2

To develop a suction lift of 8.8 m (29 ft) H₂O with L/S® 15 Norprene® tubing, the motor speed needs to be >50 rpm. At 50 rpm it will take approximately 2 to 3 minutes to prime the pump.

VACUUM/SUCTION LIFT SPECIFICATIONS

| Masterflex® Precision and High-Performance Precision pump tubing | | | | | | | | | | | | | | | | |
|--|----------------------|---------------------------------|------------------|-----|----------------------|---------------------------------|------------------|-----|------------------------|---------------------------------|------------------|-----|----------------------|---------------------------------|------------------|-----|
| Tubing size | C-FLEX®/Silicone | | | | Tygon®/Tygon® E-LFL | | | | Norprene®/PharMed® BPT | | | | Viton® | | | |
| | Max vac. mm (in.) Hg | Suction m (ft) H ₂ O | Pump speed (rpm) | | Max vac. mm (in.) Hg | Suction m (ft) H ₂ O | Pump speed (rpm) | | Max vac. mm (in.) Hg | Suction m (ft) H ₂ O | Pump speed (rpm) | | Max vac. mm (in.) Hg | Suction m (ft) H ₂ O | Pump speed (rpm) | |
| | | | A | B | | | A | B | | | A | B | | | A | B |
| L/S® 13 | 560 (24) | 7.6 (25) | 5 | 50 | 560 (24) | 7.6 (25) | 5 | 20 | 560 (24) | 7.6 (25) | 5 | 20 | 560 (24) | 7.6 (25) | 5 | 50 |
| L/S® 14 | 560 (24) | 7.6 (25) | 5 | 50 | 560 (24) | 7.6 (25) | 5 | 20 | 560 (24) | 7.6 (25) | 5 | 20 | 560 (24) | 7.6 (25) | 5 | 50 |
| L/S® 16 | 560 (24) | 7.6 (25) | 5 | 50 | 560 (24) | 7.6 (25) | 5 | 20 | 560 (24) | 7.6 (25) | 5 | 20 | 560 (24) | 7.6 (25) | 5 | 50 |
| L/S® 25 | 560 (24) | 7.6 (25) | 10 | 50 | 560 (24) | 7.6 (25) | 5 | 50 | 560 (24) | 7.6 (25) | 10 | 50 | 560 (24) | 7.6 (25) | 25 | 50 |
| L/S® 17 | 313 (12) | 4.3 (14) | 10 | 150 | 313 (12) | 4.9 (16) | 5 | 50 | 403 (16) | 5.5 (18) | 10 | 200 | 403 (16) | 5.5 (18) | 25 | 200 |
| L/S® 18 | 313 (12) | 4.3 (14) | 10 | 150 | 313 (12) | 4.9 (16) | 10 | 100 | 403 (16) | 5.5 (18) | 10 | 200 | 403 (16) | 5.5 (18) | 25 | 200 |
| L/S® 15 | 560 (24) | 7.6 (25) | 10 | 75 | 560 (24) | 7.6 (25) | 5 | 50 | 560 (24) | 7.6 (25) | 5 | 50 | 560 (24) | 7.6 (25) | 10 | 100 |
| L/S® 24 | 560 (24) | 7.6 (25) | 10 | 150 | 560 (24) | 7.6 (25) | 10 | 75 | 560 (24) | 7.6 (25) | 10 | 100 | 560 (24) | 7.6 (25) | 10 | 200 |
| L/S® 35 | 493 (19) | 6.7 (22) | 50 | 300 | 515 (20) | 7.3 (24) | 50 | 300 | 560 (24) | 7.6 (25) | 50 | 300 | 560 (24) | 7.6 (25) | 50 | 300 |
| L/S® 36 | 493 (19) | 6.7 (22) | 50 | 300 | 515 (20) | 7.3 (24) | 50 | 300 | 560 (24) | 7.6 (25) | 50 | 500 | 560 (24) | 7.6 (25) | 50 | 300 |
| I/P® 26 | 560 (24) | 7.6 (25) | 10 | 50 | 560 (24) | 7.6 (25) | 10 | 50 | 560 (24) | 7.6 (25) | 10 | 50 | 515 (20) | 7.3 (24) | 10 | 50 |
| I/P® 73 | 560 (24) | 7.6 (25) | 25 | 50 | 560 (24) | 7.6 (25) | 10 | 50 | 560 (24) | 7.6 (25) | 10 | 50 | 515 (20) | 7.3 (24) | 25 | 50 |
| I/P® 82 | 515 (20) | 7.0 (23) | 50 | 200 | 493 (19) | 7.0 (23) | 10 | 50 | 560 (24) | 7.6 (25) | 50 | 200 | — | — | — | — |
| I/P® 70 | 560 (24) | 7.6 (25) | 10 | 50 | 560 (24) | 7.6 (25) | 10 | 50 | 560 (24) | 7.6 (25) | 10 | 50 | — | — | — | — |
| I/P® 88 | 470 (18) | 6.4 (21) | 25 | 50 | 560 (24) | 7.6 (25) | 10 | 50 | 560 (24) | 7.6 (25) | 10 | 50 | — | — | — | — |
| I/P® 89 | 314 (12) | 4.3 (14) | 50 | 200 | 314 (12) | 4.9 (16) | 10 | 50 | 515 (20) | 7.0 (23) | 10 | 50 | — | — | — | — |
| B/T® 87 | 538 (22) | 7.3 (24) | 20 | 40 | 515 (20) | 7.0 (23) | 20 | 40 | 560 (24) | 7.6 (25) | 20 | 40 | — | — | — | — |
| B/T® 91 | 470 (18) | 6.4 (21) | 20 | 40 | 515 (20) | 7.0 (23) | 20 | 40 | 560 (24) | 7.6 (25) | 20 | 40 | — | — | — | — |



ELECTRICAL DATA / REGULATORY AGENCIES AND APPROVALS

RECEPTACLE INFORMATION



REGULATORY AGENCIES AND APPROVALS

3-A: 3-A Sanitary Standards, Inc. (3A SSI) has developed standards and practices for sanitary and hygienic equipment and systems used in the dairy, food processing, and pharmaceutical industries. Products carrying the 3-A designation adhere to standards governing the design, fabrication, installation and operation of equipment and machinery.

ASCII: American Standard Code for Information Interchange is a method of encoding characters into 7 or 8 binary bits (typically 7 bits plus an 8th bit for parity).

ANSI: The American National Standards Institute is a private organization that coordinates the creation of voluntary standards in a number of fields including engineering, electronics, and construction.

ASTM: The American Society for Testing and Materials is a scientific and technical organization that develops material standards and testing methods.

DIN: The Deutsche Industrie Normen is a German organization that develops standards from physical quantities engineering to material engineering.

ISO 9000 series: The ISO 9000 series of process standards and guidelines address issues concerning product quality. The standards guide manufacturers on the development, production, installation, and inspection of products to ensure consistent quality. Manufacturers must pass a rigorous audit to achieve certification/registration.

FDA: Food & Drug Administration is responsible for approving food and drugs for widespread use. Definitions for proper use are found in a series of regulations published annually under Government Regulations CFR 21.

FM: FM Global (formerly Factory Mutual) is an international leader in third-party testing, certification, and approval of commercial and industrial products. Product types include electrical, fire protection, fire detection, and hazardous location equipment. FM approval indicates conformance to relevant national and international standards.

NEMA: The National Electrical Manufacturers Association is a trade association of electrical equipment manufacturers that develops and publishes many manufacturing standards.

NIST: The National Institute of Standards and Technology is a U.S. government agency that provides standard reference materials and calibration services. NIST-certified instruments have been calibrated at NIST or through an official NIST program or collaboration. NIST-traceable instruments have been factory or lab calibrated, by a non-NIST or non-official NIST program/collaboration, where an **unbroken chain of comparisons to stated references** has been established. Non-NIST or non-official NIST programs/collaborations are responsible for establishing the traceability of their own results or values to those of NIST or other stated references.

NSF: The National Sanitation Foundation is a nongovernment agency focused on health-related standards for products and services. Certification indicates products suited for applications such as food handling/processing, plumbing, and water distribution.

NTEP: National Type Evaluation Program (NTEP) is an evaluation program administered by the National Conference on Weights and Measures (NCWM). Weighing and measuring devices are examined by NTEP to verify that operating characteristics and features comply with the applicable

The icons below represent agencies that give various product approvals. Look for them next to products in this catalog.

Products with this symbol meet ISO quality standards for design, development, and servicing capabilities.



Products with this symbol conform to ATEX Directive 94/9/EC—a European directive applied to equipment intended for use in potentially explosive atmospheres.



Products with this symbol are listed by Underwriters Laboratories, Inc. Samples of these products have been evaluated by UL and meet the applicable UL standards for safety.



Products with this mark meet certain requirements as reported by FM Global.



Products with this symbol bear the UL Listing Mark for Canada.



Products with this symbol have been tested and certified by NSF International. NSF is a nongovernmental agency that focuses on health-related standards for products and services.



Products with this symbol bear the UL Listing Mark for Canada and the U.S.



Products with this symbol have been approved for use with dairy products. It is recognized and used by industries that require sanitary products.



Products with this symbol are recognized under the Recognized Component Program of Underwriters Laboratories, Inc.



Products with this symbol are listed by ETL Testing Laboratories, Inc. and meet applicable safety standards within the U.S. and Canada.



Products with this symbol meet specific standards related to official EPA test protocols.



This symbol assures you that the product meets certain safety standards and/or performance criteria as set by the Canadian Standards Association.



Products with this symbol meet specific standards of the American Water Works Association; applicable to equipment used in the delivery, treatment, and testing of drinking water.



Products with this symbol conform to certain standards and are eligible to be placed on the market in the European Community.



Products with this symbol measure temperatures based on the ITS-90 temperature scale.



Products with this symbol have been certified to Cenelec (European Electrotechnical Standardization) and/or IEC (International Electrotechnical Commission) for use in hazardous areas.



Products with this symbol comply with standards of the National Type Evaluation Program applicable to the performance characteristics of weighing and measuring devices.



requirements of NIST Handbook 44, *Specifications, Tolerances, and Other Technical Requirements for Weighing and Measuring Devices*.

OEM: Products used by Original Equipment Manufacturers in the design of equipment.

OSHA: The Occupational Safety and Health Administration oversees and regulates workplace health and safety.

REACH: a European Community Regulation on chemicals and their safe use (EC 1907/2006). It deals with the Registration, Evaluation, Authorization and Restriction of Chemical substances.

RoHS: The Restriction of Hazardous Substances directive aims to restrict certain dangerous substances commonly used in electrical and electronic equipment.

UL: Underwriters Laboratories, Inc. is concerned with safety of personnel and property. UL listing indicates compliance with UL safety standards for electrical, mechanical, and fire hazards.

USP Class VI: Safety evaluation standards of the U.S. Pharmacopoeia/National Formulary for biocompatibility with plastics.

ENCLOSURE RATINGS / STANDARD PIPE THREAD FITTINGS

INGRESS PROTECTION (IP) RATINGS

The IP rating system classifies the degrees of protection from solid objects and liquids afforded by electrical equipment and enclosures. The system is recognized in most countries and is set out in a number of British and European standards.



These include: Classification of Degrees of Protection Provided by Enclosures, BS (British Standards) 5490:1977; IEC (International Electrotechnical Commission) 529:1976.

Specifications for Degrees of Protection of Enclosures of Switchgear and Control Gear for voltages up to and including 1000 VAC and 1200 VDC, BS 5420:1977; and IEC 144:1963.

First Digit

Protection against solid objects

- 0 no protection
- 1 protected against solid objects over 50 mm (e.g. accidental touch by hands)
- 2 protected against solid objects over 12 mm (e.g. fingers)
- 3 protected against solid objects over 2.5 mm (tools)
- 4 protected against solid objects over 1 mm (fine tools/wires)
- 5 protected against dust—limited ingress (no harmful deposits)
- 6 totally protected against dust

Second Digit

Protection against liquids

- 0 no protection
- 1 protected against vertically falling drops of water (e.g. condensation)
- 2 protected against direct sprays of water up to 15° from the vertical
- 3 protected against spraying water up to 60° from the vertical
- 4 protected against water sprayed from all directions—limited ingress permitted
- 5 protected against low-pressure jets of water from all directions—limited ingress permitted
- 6 protected against strong jets of water from all directions—limited ingress permitted (e.g. for use on ship decks)
- 7 protected against the effects of immersion between 15 cm and 1 m

NEMA/IEC ENCLOSURE RATINGS

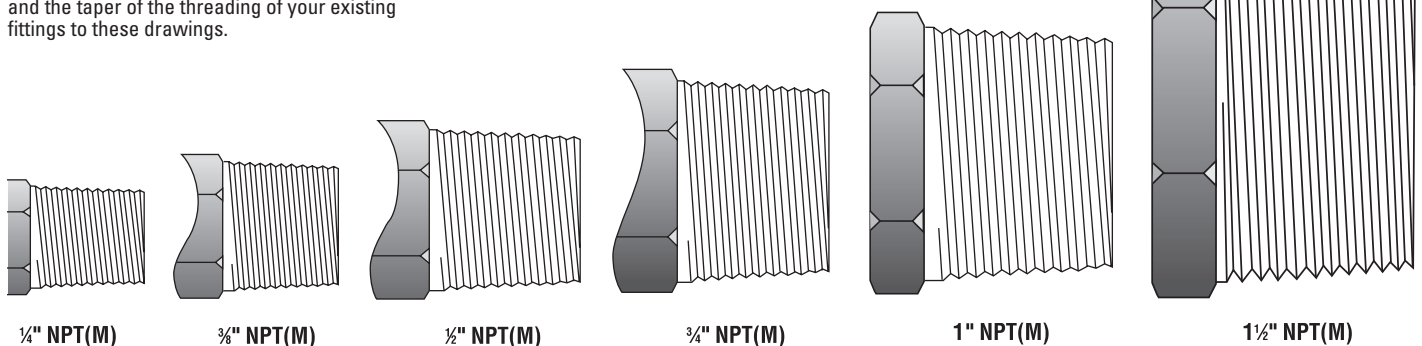
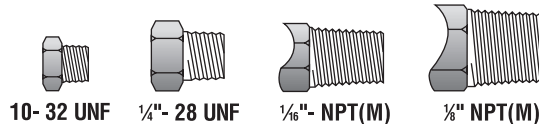
Conversion of NEMA type classifications to IEC classification designation (IP ratings).

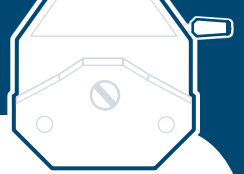
Note: NEMA standards meet or exceed IEC standards; therefore, the conversion does not work in the opposite direction.

| NEMA enclosure type no. | NEMA definition | IEC enclosure class |
|-------------------------|--|---------------------|
| 1 | General-purpose. Protects against dust, light, and indirect splashing but is not dust-tight; primarily prevents contact with live parts; used indoors and under normal atmospheric conditions. | IP10 |
| 2 | Drip-tight. Similar to Type 1 but with addition of drip shields; used where condensation may be severe (as in cooling rooms and laundries). | IP11 |
| 3 and 3S | Weather-resistant. Protects against weather hazards such as rain and sleet; used outdoors on ship docks, in construction work, and in tunnels and subways. | IP54 |
| 3R | Intended for outdoor use. Provides a degree of protection against falling rain and ice formation. Meets rod entry, rain, external icing, and rust-resistance design tests. | IP14 |
| 4 and 4X | Watertight (weatherproof). Must exclude at least 65 GPM of water from 1-in. nozzle delivered from a distance not less than 10 ft for 5 minutes. Used outdoors on ship docks, in dairies, and in breweries. | IP56 |
| 5 | Dust-tight. Provided with gaskets or equivalent to exclude dust; used in steel mills and cement plants. | IP52 |
| 6 and 6P | Submersible. Design depends on specified conditions of pressure and time; submersible in water; used in quarries, mines, and manholes. | IP67 |
| 7 | Hazardous. For indoor use in Class I, Groups A, B, C, and D environments as defined in the NEC. | — |
| 8 | Hazardous. For indoor and outdoor use in locations classified as Class I, Groups A, B, C, and D as defined in the NEC. | — |
| 9 | Hazardous. For indoor and outdoor use in locations classified as Class II, Groups E, F, or G as defined in the NEC. | — |
| 10 | MSHA. Meets the requirements of the Mine Safety and Health Administration, 30 CFR Part 18 (1978). | — |
| 11 | General-purpose. Protects against the corrosive effects of liquids and gases. Meets drip and corrosion-resistance tests. | — |
| 12 and 12K | General-purpose. Intended for indoor use, provides some protection against dust, falling dirt, and dripping noncorrosive liquids. Meets drip, dust, and rust resistance tests. | IP52 |
| 13 | General-purpose. Primarily used to provide protection against dust, spraying of water, oil, and noncorrosive coolants. Meets oil exclusion and rust resistance design tests. | IP54 |

STANDARD PIPE THREAD FITTINGS

The illustrations are actual size. If you have any question as to the size of fitting you require, simply compare the threads per inch, the diameter and length of the threading, and the taper of the threading of your existing fittings to these drawings.





ELECTRICAL DATA / HAZARDOUS AREA CLASSIFICATIONS

ATEX DIRECTIVE 94/9/EC

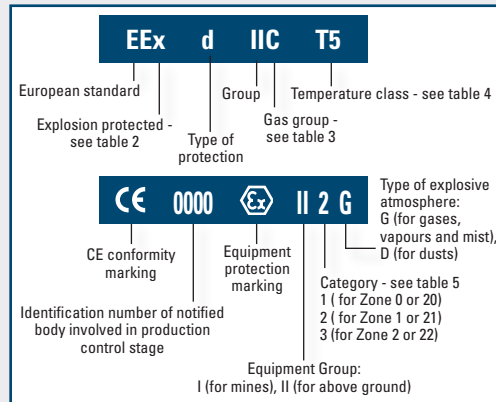
Since 1st July 2003 the ATEX Directive 94/9/EC has required equipment and protective systems that are for use in potentially explosive atmospheres, to conform to specific safety standards. The directive is applicable to all countries within the EU.

Equipment Marking

The following is a guide only to the identification markings on ATEX marked equipment and protective systems.

Determining the suitability of ATEX marked equipment and safety systems is the responsibility of the user.

EU Directive 94/9/EC from July 1, 2003 —Table 1



Methods of Protection—Table 2

| Method of protection | Marking | Protection principle |
|---|--------------|---|
| Electrical equipment for gases, vapours and mists according to CENELEC | | |
| Flameproof enclosure | EEx d | Contain the explosion and prevent flame propagation |
| Increased safety | EEx e | No arcs, sparks, or hot surfaces |
| Nonsparking | EEx n | No arcs, sparks, or hot surfaces |
| Intrinsic safety | EEx i | Limit the energy of the spark and surface temperature |
| Oil immersion | EEx o | Keep the ignition source constantly immersed in oil |
| Pressurised enclosure | EEx p | A protective gas contains the ignition source |
| Sand filling | EEx q | Fine ground filling surrounds the ignition source and therefore, an arc from inside of the housing cannot ignite the surrounding combustible atmosphere |

Classification of Gases and Dusts per CENELEC/IEC—Table 3

| Gas group | Temperature class | | | | | |
|-----------|---|---|---|--------------------|----|-------------------|
| | T1 | T2 | T3 | T4 | T5 | T6 |
| I | Methane | — | — | — | — | — |
| IIA | Acetone Methane Ethane Propane | Ethyl alcohol Cyclohexane <i>n</i> -butane <i>n</i> -butyl alcohol | Diesel fuel Aircraft fuel Fuel oil <i>n</i> -hexane Heptane | Acetaldehyde | — | — |
| IIB | Coal (lighting) gas Acrylonitrile | Ethylene Ethylene oxide | Ethylene glycol Hydrogen sulphide | Ethyl methyl ether | — | — |
| IIC | Hydrogen | Ethine (Acetylene) | — | — | — | Carbon disulphide |

Temperature Classification—Table 4

| CENELEC/IEC (Group II) Class | Max surface temperature | Comments |
|------------------------------|---|--|
| T1 | 450°C (842°F) | Temperature relates to all parts of equipment that can come into contact with the potentially explosive atmosphere |
| T2 | 300°C (572°F) | |
| T3 | 200°C (392°F) | |
| T4 | 135°C (275°F) | |
| T5 | 100°C (212°F) | |
| T6 | 85°C (185°F) | Assessment of equipment temperature class is the responsibility of the user |
| Tx | Maximum surface temperature not defined | |

Example equipment marking:

CE Ex II 2 G EEx d IIC T5

ATEX Category 2 (gas) equipment designated for installation in Zone 1. Protection by flameproof enclosure, suitable for hydrogen atmosphere with maximum equipment surface temperature of 100°C.

Equipment Groups I and II: Categories M1, M2, 1, 2, and 3—Table 5

| Group I Mines: methane and/or combustible dusts | | Group II Above ground: potentially explosive atmospheres or gas/air or dust/air mixtures, mist or vapours | | | | | |
|--|---|---|--------------------|--|--------------------|---|--------------------|
| Category M | | Category 1 | | Category 2 | | Category 3 | |
| 1 | 2 | G (Gas) (Zone 0) | D (Dust) (Zone 20) | G (Gas) (Zone 1) | D (Dust) (Zone 21) | G (Gas) (Zone 2) | D (Dust) (Zone 22) |
| Equipment which guarantees a very high degree of safety. Operation guaranteed in case of errors. | Equipment which guarantees a very high degree of safety. Switching off possible if potentially explosive atmosphere occurs. | For equipment which guarantees a very high degree of safety. Intended for cases where potentially explosive atmospheres are often or constantly to be expected. | | For equipment which guarantees a high degree of safety. Intended for cases where a potentially explosive atmosphere is to be expected. | | For equipment which guarantees a standard degree of safety. Intended for cases where a potentially explosive atmosphere can be expected only rarely, and then, only for a short time. | |
| Very high protection level | High protection level | Very high protection level | | High protection level | | Normal | |

National Electrical Code (NEC) Hazardous Area Classifications

- CLASS I:** Areas where flammable gases or vapors may be present in the air in sufficient quantities to be explosive
- Group A:** Atmospheres containing acetylene
- Group B:** Atmospheres such as butadiene, ethylene oxide, propylene oxide, acrolein, or hydrogen (or gases or vapors equivalent in hazard to hydrogen, such as manufactured gas)
- Group C:** Atmospheres such as cyclopropane, ethyl ether, or ethylene (or gas or vapors of equivalent hazard)
- Group D:** Atmospheres such as acetone, alcohol, ammonia, benzene, benzol, butane, gasoline, hexane, lacquer solvent vapors, naphtha, natural gas, propane, or gas or vapors of equivalent hazard
- CLASS II:** Areas made hazardous by the presence of combustible dust
- Group E:** Atmospheres containing combustible
- metal dusts, regardless of resistivity
 - dust of similarly hazardous characteristics having a resistivity less than 100 kΩ-cm
 - electrically conductive dusts
- Group F:** Atmospheres containing combustible
- carbon black, charcoal, or coke dusts having more than 8% total volatile material
 - dusts so sensitized that they present an explosion hazard, and dusts having a resistivity greater than 100 Ω-cm but less than or equal to 1 x 10⁸ Ω-cm
- Group G:** Atmospheres containing combustible
- dust having resistivity equal to or greater than 100 kΩ-cm
 - electrically nonconductive dusts
- CLASS III:** Areas made hazardous by the presence of easily ignitable fibers or dust, but which are not likely to be suspended in the air in sufficient quantities to ignite
- Division 1:** Atmospheres where hazardous concentrations exist continuously, intermittently, or periodically under normal operating conditions
- Division 2:** Atmospheres where hazardous concentrations exist only in case of accidental rupture or breakdown of equipment
- EXPLOSION-PROOF:** Enclosures or housings are designed to withstand internal explosions and prevent the spread of fire to the outside.
- INTRINSICALLY SAFE:** Systems in which electrical energy in the circuits is not present at levels that would ignite a flammable mixture of a gas and air.

GLOSSARY

Accuracy: The degree of precision. Usually expressed, in terms of error, as a percentage of the specified value, or as a percentage of a range.

A/D: Analog-to-digital conversion. The process changes an analog signal into a digital value representative of the magnitude of the signal at the moment of conversion.

Absolute pressure (psia): The total force per unit area exerted by a fluid. It is the sum of atmospheric and gauge pressures.

Alternating current (AC): Current that reverses polarity at a uniform frequency.

Atmospheric pressure: The force exerted per unit area by the weight of the atmosphere.

Automatic temperature compensation (ATC): meters with ATC receive a continuous signal from a temperature sensor in a solution and then automatically standardize the displayed value to 25°C.

Baud rate: A unit of measure for data transmission speed. It represents the number of signal elements (typically bits) transmitted per second. Typical baud rates are 600, 1200, 2400, 4800, 9600, 19.2K, 35.4K, and 115.2K.

Buffer: In chemistry terms, a solution that maintains a set pH value regardless of added acids or bases; often used for calibration. In computer terms, a device used to store data temporarily, normally to compensate for differences in speed between system components (for example, a high-speed data acquisition board and main memory).

Byte: Eight related bits of information processed as a unit. Eight bits equal one byte.

Cavitation: Process in which small bubbles are formed and implode violently. This results in aggressive cleaning action in ultrasonic cleaners.

Contacts: Elements used to mechanically make or break an electric circuit.

Continuous duty: A device able to operate continuously with no off or rest periods.

Convection: Transmission of energy or mass in a medium by movement of the medium itself.

Density: The mass of a given substance per unit volume, often expressed as pounds/ft³ or grams/cm³.

Direct current (DC): A current with a constant polarity.

Double-pole, double-throw (DPDT): A term used to describe a switch or relay output contact form (form C). Two separate switches that operate simultaneously, each with a normally open and normally closed contact and a common connection.

Explosion-proof (XPRF) motor: A totally enclosed motor that will withstand an explosion of a specific vapor or gas within its housing, or will prevent sparks or flashes generated within its housing from igniting surrounding vapor or gas.

Factory calibration: The tuning or altering of a control device by the manufacturer to bring it into specification.

Gain: Ratio of output voltage, current, or power to input voltage, current, or power.

Gauge pressure (psig): A measure of the force per area exerted by a fluid using atmospheric pressure as a zero reference.

Impedance: The opposition in an electric circuit to the flow of an alternating current. It consists of ohmic resistance, inductive reactance, and capacitive reactance.

Inductive load: Electrical devices made of wound or coiled wire. Current passing through the coil creates a magnetic field that in turn produces mechanical work.

Intrinsically safe motor: A motor designed to prevent sparks generated within its housing from igniting surrounding vapor or gas, but is not rated "explosion-proof."

Ion-selective electrode (ISE): An electrode that is sensitive to specific ions in a solution.

LIMS (Laboratory Information Management System): A system that manages operations of a testing laboratory.

Linearity: The degree to which performance or response approaches the condition of being linear. Expressed in percent.

Normally closed (NC): A switch in which the contacts are closed (contacting) without any external force acting upon it.

Normally open (NO): A switch in which the contacts are open (separated) when no external forces act upon the switch.

On/off control: A simple control system in which the device being controlled is either full on or full off, with no intermediate operating positions.

Open drip-proof (ODP) motor: An open motor with ventilator openings that prevent liquids and solids, dropped from an angle of 0° to 15° from vertical, from interfering with its operation.

Parallel transmission: The transmission of data bits over different lines, usually simultaneously; as opposed to serial transmission.

pH: An indication of the acidity or alkalinity of a solution. Units range from 0 (most acidic), to 7 (neutral), to 14 (most alkaline).

PID control (proportional, integral, derivative): Control in which the control signal is a linear combination of the error signal, its integral, and its derivative.

Pressure: Force exerted per unit area.

Proportional control: Control in which the amount of corrective action is proportional to the amount of error.

Range: The limits within which a device or circuit operates or the distance over which a transmitter operates reliably.

RS-232: A standard computer interface used primarily to connect PCs and microprocessors with instruments, such as pH meters.

Serial transmission: Sending one bit at a time on a single transmission line.

Series (Universal) motor: A non-induction type motor utilized for small equipment. Speed will decrease as load increases.

Shaded-pole motor: A low-starting torque motor that depends on induced current to create the magnetic field necessary to start the motor.

Shunt: A conductor joining two points in an electrical circuit to form a parallel path. All or some portion of the current may pass through the shunt.

Single-phase motor: Any motor energized by a single alternation voltage.

Single-pole, double-throw (SPDT): A switch that in one position completes one of two circuits. In the second position the switch completes a second circuit and breaks the first circuit.

Single-pole, single-throw (SPST): A switch that will open or complete a circuit.

Solid-state: Any element that controls current without moving parts, heated filaments, or vacuum gaps.

Standard operating conditions, standard temperature and pressure (STP): Defined temperature and pressure to which all values are referenced for comparison. Generally 760 mm Hg (1 atm), 25°C.

Stop bit: A signal following a character or block that prepares the receiving device to receive the next character or block.

Temperature compensation: Correction for the influence of temperature on a measurement.

Tolerance: The maximum allowable deviation from a specified standard, as the range of variation permitted, expressed in actual values or more often as a percentage of the nominal value.

Totally enclosed (TE) motor: Motors that prevent the free flow of air from the inside of the motor enclosure to the outside.

Totally enclosed, nonventilated (TENV) motor: A motor in a totally enclosed housing that is not equipped with an external cooling device.

Totally enclosed, fan-cooled (TEFC) motor: A motor in a totally enclosed housing that is equipped with a separate external blower.

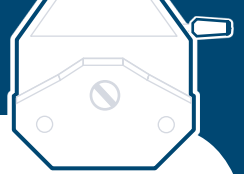
Transducer: Any device that generates an electrical signal from real-world physical measurements.

Transmitter: A device that translates the low-level output of a sensor or transducer to a higher level signal suitable for transmission to a site where it can be further processed.

Three-phase motor: A relatively inexpensive, self-starting motor (no starting winding or capacitor); can start heavy loads. The motor requires a three-phase AC power supply.

Universal Serial Bus (USB): A serial bus standard to connect devices to a host computer. Conveniences include plug-and-play and low-power transmission.

Viscosity: The resistance of a fluid to flow when subjected to shear stress.



CONVERSION FACTORS

| To go from | Multiply by | To get |
|----------------------|-----------------|---------------------|
| atm | 33.89854 | ft H ₂ O |
| atm | 760 | mm Hg |
| atm | 1.033227 | kg/cm ² |
| atm | 14.705 | psi |
| atm | 1.01325 | bar |
| atm | 101.325 | kPa |
| atm | 101325 | Pa |
| bar | 14.50377 | psi |
| bar | 0.9869233 | atm |
| bar | 100,000 | Pa |
| BTU | 778.196 | lb-ft |
| BTU/min | 0.01757 | kW |
| BTU/hr | 0.216158 | lb-ft/sec |
| BTU/min | 0.023575 | hp |
| cm | 0.3937008 | inch |
| cm | 0.03280840 | feet |
| cm ³ | 0.03381402 | oz (fluid) |
| cm ³ | 0.001 | liter |
| cc/min | 1 | mL/min |
| cc/min | 0.016 | GPH |
| deg C | (1.8 x °C) + 32 | deg F |
| deg C | deg °C + 273.2 | K |
| deg F | 0.555 (°F - 32) | deg C |
| K | K - 273.2 | deg C |
| dyne | 0.00102 | gm |
| dyne | 0.000002248 | lb (force) |
| dyne | 0.00003597 | oz |
| dyne-cm | 0.00102 | gm-cm |
| dyne-cm | 0.00000007376 | lb-ft |
| dyne-cm | 0.000014 | oz-in |
| dyne/cm ² | 0.1 | Pa |
| feet (ft) | 30.48 | cm |
| ft | 0.3048 | m |
| ft H ₂ O | 0.4335 | psi |
| ft H ₂ O | 0.0295 | atm |
| ft H ₂ O | 0.8826 | in Hg |
| ft ³ | 7.480519 | gal |
| ft ³ | 0.028316847 | m ³ |
| ft ³ /hr | 0.4719474 | LPM |
| ft ³ /hr | 471.9474 | mL/min |
| ft ³ /min | 0.0283157 | m ³ /min |
| ft ³ /min | 28.3157 | LPM |
| gallon (gal) | 128 | oz (fluid) |
| gal | 3.785412 | liter |
| gal | 8.337 | lb H ₂ O |
| gal | 0.1337 | ft ³ |
| gal | 230.9 | in ³ |
| gal | 0.003785 | m ³ |
| gal (IMP) | 1.20095 | gal (US) |
| gal (US) | 0.83267 | gal (IMP) |
| GPH | 63.1 | mL/min |
| GPM | 3.785412 | LPM |
| GPM | 0.2271247 | m ³ /hr |

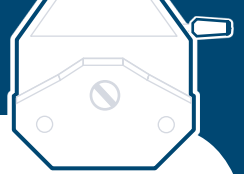
| To go from | Multiply by | To get |
|----------------------|-------------|----------------------|
| gram (gm) | 0.002205 | lb |
| gm | 0.03527 | oz (avd) |
| gm (force) | 980.7 | dyne |
| gm-cm | 980.7 | dyne-cm |
| gm-cm | 0.0000723 | lb-ft |
| gm-cm | 0.01389 | oz-in |
| gm-cm | 0.000867 | lb-in |
| gm-cm | 0.000098 | N-m |
| gm-cm ² | 0.22757 | oz-in ² |
| horsepower (hp) | 0.7457 | kW |
| hp | 42.44 | BTU/min |
| hp | 1.01387 | hp (metric) |
| hp | 396,000 | lb-in/min |
| hp (metric) | 0.9862 | hp |
| inch (in) | 2.54 | cm |
| in | 25.40 | mm |
| in ³ | 0.004329 | gal |
| in ³ | 0.01639 | liter |
| in ³ | 16.39 | mL |
| in Hg | 1.1329 | ft H ₂ O |
| in Hg | 0.4926 | psi |
| in Hg | 25.64 | mm Hg |
| in Hg | 3386 | Pa |
| joule | 0.0009478 | BTU |
| joule | 0.73756 | lb-ft |
| kg | 2.2046 | lb |
| kg-cm | 13.89 | oz-in |
| kg-m | 7.246 | lb-ft |
| kg/cm ² | 14.22334 | psi |
| kg/cm ² | 0.9678 | atm |
| kW | 56.92 | BTU/min |
| kW | 1.341 | hp |
| kPa | 0.009867841 | atm |
| kPa | 0.14504 | psi |
| lb (pound) | 444822 | dyne |
| lb | 453.597 | gm |
| lb | 0.453597 | kg |
| lb | 16 | oz |
| lb (force) | 4.44822 | N |
| lbs H ₂ O | 0.1199 | gal |
| lb-in | 1152.5 | gm-cm |
| lb-in | 0.1129 | N-m |
| lb-in/min | 0.000002525 | hp |
| lb-ft | 0.001285 | BTU |
| lb-ft | 13,560,000 | dyne-cm |
| lb-ft | 1.3558 | N-m |
| lb-ft | 192 | oz-in |
| lb-ft | 0.1383 | kg-m |
| lb-ft | 13825 | gm-cm |
| lb-ft | 1.355 | watt |
| lb-ft/sec | 4.625 | BTU/hr |
| lb-ft/sec | 0.022589 | watt |
| liter (L) | 1000 | cm ³ |
| liter | 0.2642 | gal |
| liter | 0.001 | m ³ |
| liter | 61.0237 | in ³ |
| LPM | 0.2642 | GPM |
| LPM | 2.11888 | ft ³ /hr |
| LPM | 0.035316 | ft ² /min |

| To go from | Multiply by | To get |
|-----------------------|-------------|-----------------------|
| mL | 0.061 | in ³ |
| mL | 0.033818 | oz (fluid) |
| mL/min | 0.0158 | GPH |
| mL/min | 0.0333818 | oz/min |
| mL/min | 1 | cc/min |
| mL/min | 0.00211 | ft ³ /hr |
| mm | 0.03937 | in |
| mm Hg | 0.03937 | in Hg |
| mm Hg | 0.001315 | atm |
| mm Hg | 133.3 | Pa |
| meter (m) | 3.2808 | feet |
| m ³ | 1000 | liter |
| m ³ | 35.316 | ft ³ |
| m ³ | 264.2 | gal |
| m ³ /min | 35.316 | ft ³ /min |
| m ² /hr | 4.405 | GPM |
| Newton (N) | 0.2248 | lb (force) |
| N-m | 141.612 | oz-in |
| N-m | 10197.16 | gm-cm |
| N-m | 0.737562 | lb-ft |
| N-m | 8.850 | lb-in |
| Newton/m ² | 1 | Pa |
| ounce (oz) | 28.3495 | gm |
| oz | 0.0625 | lb |
| oz (force) | 27801.39 | dyne |
| oz | 0.001943 | slug |
| oz (fluid) | 29.57 | mL |
| oz (fluid) | 0.007813 | gal |
| oz (fluid) | 29.57 | gal cm ³ |
| oz-in | 0.072 | kg-cm |
| oz-in | 72.007 | gm-cm |
| oz-in | 70620 | dyne-cm |
| oz-in | 0.00521 | lb-ft |
| oz-in | 0.007061 | N-m |
| oz-in ² | 4.3941 | gm-cm ² |
| oz/min | 29.57 | mL/min |
| Pascal (Pa) | 10 | dyne/cm ² |
| Pa | 1 | Newton/m ² |
| Pa | 0.0000099 | atm |
| Pa | 0.00001 | bar |
| Pa | 0.0002953 | in Hg |
| Pa | 0.000145 | psi |
| Pa | 0.0075 | mm Hg |
| psi | 6.895 | kPa |
| psi | 0.068046 | atm |
| psi | 0.0689 | bar |
| psi | 2.30666 | ft H ₂ O |
| psi | 2.036 | in Hg |
| psi | 0.070307 | kg/cm ² |
| psi | 6894.76 | Pa |
| slug | 514.785 | oz |
| watt (W) | 0.737562 | lb-ft/sec |
| W | 44.2537 | lb-ft/min |

MORE online!

For additional technical data including more conversions, viscosity values, wire gauge sizes, conductivity values, electrical diagrams, and more.

Masterflex.com/TechInfo



CHEMICAL RESISTANCE CHARTS

WARNING

The information in this chart has been supplied to Cole-Parmer by other reputable sources and is to be used ONLY as a guide in selecting equipment for appropriate chemical compatibility. Before permanent installation, test the equipment with the chemicals under the specific conditions of your application.

ANGER

Variations in chemical behavior due to factors such as temperature, pressure, and concentration can cause equipment to fail, even though it passed an initial test.

SERIOUS INJURY MAY RESULT.

Use suitable guards and/or personal protection when handling chemicals.

RATINGS

Chemical Behavior

- A - No effect
B - Minor effect
C - Moderate effect
D - Severe effect; not recommended
- No data available

Table with columns for CHEMICAL, Plastics (ABS plastic, Acetal, CPVC, Epoxy, Hyrel, HDPE, LDPE, Noryl, Nylon, Polycarbonate, Polypropylene, PPS, PTFE, PVC, PVDF, Nitrile (Buna N), EPDM, Hypalon, Kel-F, Natural rubber, Neoprene, Santoprene, Silicone, Tygon, Viton), Elastomers, Metals (304 stainless steel, 316 stainless steel, Aluminum, Brass, Bronze, Carpenter 20, Cast Iron, Copper, Hastelloy C, Titanium), and Nonmetals (Carbon graphite, Ceramic Al2O3, Ceramic magnet).

Explanation of footnotes: 1. Satisfactory to 72°F (22°C) 2. Satisfactory to 120°F (48°C) 3. Satisfactory to 90°F (32°C) 4. Satisfactory to 200°F (93°C)



| | | | |
|---|---|---|---|
| 12- and 24-VDC pump drives 107 | Chemical compatibility, tubing 30-31 | Portable samplers..... 104-107 | I/P® Pumps |
| 56C-face motors 103, 145, 159 | Chemical resistance charts 198-206 | Remote control 78-81, 84-95, 98-99 | Air-powered drives 142 |
| Accessories | C/L® Tubing Pumps | Variable-speed 78-95, 98-99, 101-102 | Analog drives 134-137 |
| BarbLock™ tubing | Tubing, microbore..... 34, 36 | Washdown process 86-87, 90-93 | ATEX pump system 151 |
| retainers..... 166 | Variable-speed pumps..... 34-37 | Programmable..... 94-95, 98-99 | Console drives..... 134-137, 140-141 |
| Cord/plug assemblies 171 | Clamps, tubing 166-167 | Sampling..... 104-107 | Digital drives..... 138-141 |
| Dispensing nozzles..... 167 | Composite sampler 106 | Selection guides | Dispensers 138-141 |
| Fittings 162-167 | Computer-compatible drives, L/S® 94-95 | B/T® 152 | Easy-Load® pump |
| Fuses 171 | Console drives | I/P® 131 | heads 122-123 |
| Liqui-Sense® fluid monitoring system 160-161 | I/P® 134-137, 140-141 | L/S® 74-75 | Fixed-speed drives 143 |
| Microbore tubing | L/S® 76-85, 88-89, 92-95 | Washdown 86-87, 90-93, 132-141, 154-158 | Hazardous-duty drives 144 |
| connectors 163 | Conversion factors 197 | Water sampling 104-107 | High-Performance pump |
| mounting hardware 168-169 | Cord and plug sets 171 | Easy-Load® pump heads | head 124-125 |
| pinch valves..... 166-167 | DC-powered drives 107 | I/P® 122-123 | Modular drives 132-133, 138-139 |
| quick-disconnect couplings..... 164-165 | Detector, fluid/leak, Liqui-Sense® 160-161 | L/S® 46-47 | Multichannel pump system... 150 |
| replacement parts 168-171 | Digi-Staltic® dispensing pumps 98-99 | Easy-Load® II pump heads 44-45 | Pump heads |
| tubing clamps 166-167 | Digi-Staltic® software 100 | Easy-Load® 3 pump heads 42-43 | Easy-Load® 122-123 |
| tubing cutters 162 | Digital drives | Emergency fluid cut-off system 160-161 | High-Performance 124-125 |
| tubing weights..... 167 | B/T® 156-157 | Enclosure ratings, NEMA/IEC 194 | Standard 120-121 |
| Adapters | I/P® 138-141 | E/S® sampling pumps 104-106 | Remote control drives 132-141 |
| Micropump® 62 | L/S® 84-95, 98-99 | Fittings | Replacement parts 169 |
| Piston pump head 67 | Dispensers | BarbLock™ retainers..... 166 | Stainless steel drive 140-141 |
| Pump head to 56C-face motor | I/P® 138-141 | Hose barb..... 162-165 | Standard pump heads ... 120-121 |
| I/P® 145 | L/S® 88-95, 98-99 | Microbore tubing 163 | Systems 146-151 |
| L/S® 103 | Dispensing nozzles 167 | Quick disconnect 164-165 | Tubing 126-130 |
| Air-powered drives | Drives | Sanitary..... 72, 129 | Variable-speed |
| B/T® 154-155 | Air-powered | Fixed-speed drives | drives..... 132-142, 144 |
| I/P® 142 | B/T® 154-155 | B/T® 158 | Washdown drives 132-141 |
| L/S® 101 | I/P® 142 | I/P® 143 | I/P® Tubing |
| Analog drives | L/S® 101 | L/S® 76-77 | Bulk-packed 130 |
| B/T® 154-155 | B/T® 154-155 | Float switch, level sensor 161 | High-performance |
| I/P® 134-137 | ATEX 154-155 | Fluid monitoring system, Liqui-Sense® 160-161 | precision..... 128 |
| L/S® 76-83, 101-107 | Analog 154-155 | Food-grade tubing | Precision 126-127 |
| Application tips 33, 188-191 | Digital 156-157 | Norprene® 67, 69, 71, 127-128, 153 | Sanitary assemblies..... 129 |
| Applications 6-17 | Fixed-speed..... 158 | Tygon® E-Food ... 69, 71, 127, 153 | Spooled..... 130 |
| ATEX | Variable-speed 154-157 | Frequently asked questions 17 | Ismatec® pump heads 66 |
| Hazardous area | Washdown 154-158 | Fuses 171 | Liqui-Sense® monitoring system 160-161 |
| classifications 195 | C/L® 34-37 | Gear pumps | L/S® Pump Heads |
| Pump heads 46-49, 122-125 | Computer-compatible 94-95 | Adapter for L/S® drives..... 62 | ATEX 46-49 |
| Pump | DC-powered 107 | Drives 63-64 | Cartridge 56-59 |
| systems 117, 151, 154-155 | Dispensing 88-95, 98-99, 138-141, 156-157 | Heads, Micropump® 62 | Diaphragm 60-61 |
| Barbed fittings 162-165 | Hazardous-duty 101-102, 142, 144, 154-155 | Systems 65 | Easy-Load® 46-47 |
| BarbLock™ tubing retainers 166 | I/P® | GOR® tubing | Easy-Load® II 44-45 |
| BioPharm platinum-cured silicone tubing 68, 70, 73, 126, 128, 130 | Air-powered 142 | Style 100SC... 69-71, 127-128, 153 | Easy-Load® 3 42-43 |
| BioPharm Plus platinum-cured silicone tubing 68, 70, 126, 128, 153 | Analog 134-137 | Style 400 69-71, 127-128, 153 | High-Performance 48-49 |
| B/T® Pumps | ATEX 142 | Style 500 69-71, 127-128, 153 | Multichannel 52-55 |
| Air-powered pumps 154-155 | Console..... 134-137 | Hazardous area classifications | Multichannel cartridge..... 56-59 |
| Analog pumps 154-155 | Digital 138-141 | ATEX 195 | PTFE-diaphragm..... 60-61 |
| ATEX approved 154-155 | Dispensers..... 138-141 | NEC 195 | PTFE-tubing 50-51 |
| Digital pumps 156-157 | Fixed-speed..... 143 | Hazardous-duty drives 101-102, 142, 144, 154-155 | Replacement parts 168 |
| Fixed-speed pumps..... 158 | Hazardous-duty..... 142, 144 | High-Performance pump heads | Selection guide..... 38-39 |
| Modular pumps 154-157 | Modular 132-133, 138-139 | I/P® 124-125 | Standard 40-41 |
| PerfectPosition™ tubing..... 153 | Remote control 132-141 | L/S® 48-49 | L/S® Pumps |
| Pump heads 159 | Stainless steel 140-141 | High-performance Precision tubing | Air-powered drive 101 |
| Remote control..... 156-157 | Variable-speed 132-142, 144 | B/T® 153 | Analog drives 76-83, 101-107 |
| Selection guide..... 152 | Washdown 132-141 | I/P® 128 | ATEX pump system 117 |
| Tubing 153 | L/S® | L/S® 70-71 | Cartridge pump heads 56-59 |
| Variable-speed pumps.... 154-157 | Air-powered 101 | High-pressure pump system, L/S® 117 | Compact drives 78-81 |
| Washdown pumps 154-158 | Analog 76-83, 101-107 | High-pressure tubing 49 | Compact pump..... 78-79 |
| Bulk-packed tubing 73, 130 | ATEX 101 | Hose barb fittings 162-165 | Computer-compatible |
| Cables | Compact 78-81 | IEC enclosure ratings 194 | drives..... 94-95 |
| Balance interface..... 100 | Computer-compatible 94-95 | Ingress Protection (IP) ratings ... 194 | Console drives..... 76-85, 88-89, 92-95 |
| RS-232 interface 111 | Console..... 76-85, 88-89, 92-95 | I/P® Pump Heads | DC-powered drives 107 |
| Serial 111 | DC-powered 107 | ATEX 122-125 | Diaphragm pump heads..... 60-61 |
| USB interface..... 111 | Digital 84-95, 98-99 | Easy-Load® 122-123 | Digital drives..... 84-95, 98-99 |
| Cartridge pump heads, L/S® 56-59 | Dispensers..... 88-95, 98-99 | High-Performance..... 124-125 | Dispensers 88-95, 98-99 |
| C-FLEX® tubing 34, 36, 68, 70, 73, 126, 128, 130, 153 | Economy 82-83 | Replacement parts 169 | Easy-Load® pump heads 46-47 |
| C-Flex® ULTRA tubing ... 68, 70, 126 | Fixed-speed..... 76-77 | Selection guide..... 118-119 | Easy-Load® II pump |
| Chem-Durance® Bio tubing 69, 71, 127-128, 153 | Hazardous-duty..... 101-102 | Standard 120-121 | heads 44-45 |
| | Modular..... 86-87, 90-91, 98-99 | | Easy-Load® 3 pump |
| | | | heads 42-43 |
| | | | Economy drives..... 82-83 |
| | | | Fixed-speed drives..... 76-77 |

INDEX

L/S® Pumps (continued)

| | |
|---------------------------------|-----------------------|
| Hazardous-duty drives..... | 101-102 |
| High-Performance pump head..... | 48-49 |
| High-pressure pump system..... | 117 |
| High-pressure pump tubing..... | 49 |
| Microbore tubing..... | 34, 36 |
| Modular drives..... | 86-87, 90-91, 98-99 |
| Multichannel pump heads..... | 52-55 |
| Portable samplers..... | 104-107 |
| PTFE-diaphragm pump system..... | 60, 116 |
| PTFE-tubing pump system..... | 51, 116 |
| Pump heads..... | 38-67 |
| Remote control drives..... | 78-81, 84-95, 98-99 |
| Replacement parts..... | 168-171 |
| Sampling pumps..... | 104-107 |
| Selection guides | |
| Drives..... | 74-75 |
| Pump heads..... | 38-39 |
| Stainless steel drive..... | 92-93 |
| Standard pump heads..... | 40-41 |
| Systems..... | 108-117 |
| Tubing..... | 68-73 |
| Variable-speed drives..... | 78-95, 98-99, 101-102 |
| Washdown process drive..... | 86-87, 90-93 |

L/S® Tubing

| | |
|---|--|
| Bulk-packed..... | 73 |
| High-Performance Precision..... | 70-71 |
| Precision..... | 68-69 |
| Sanitary assemblies..... | 72 |
| Spooled..... | 73 |
| Microbore tubing..... | 34, 36 |
| Microbore tubing connectors..... | 163 |
| Micropump® | |
| Adapter for L/S® drives..... | 62 |
| Compatible drives..... | 63-64 |
| Gear pump heads..... | 62 |
| Gear pump systems..... | 65 |
| Mixers, overhead..... | 96-97 |
| Motors..... | 103, 145, 159 |
| Mounting hardware..... | 168-169 |
| Multichannel pump heads, L/S®..... | 52-55 |
| Multichannel pump systems | |
| I/P®..... | 150 |
| L/S®..... | 112-113 |
| NEC hazardous area classifications..... | 195 |
| NEMA pump head adapters..... | 103, 145 |
| NEMA enclosure ratings..... | 194 |
| Norprene® food-grade tubing..... | 69, 71, 73, 127-128, 130, 153 |
| Norprene® tubing..... | 49, 69, 71, 127-128 |
| Nozzles, dispensing..... | 167 |
| OEM design/engineering services..... | 5 |
| Online tools and features..... | 2-3 |
| Parts, replacement..... | 168-171 |
| PerfectPosition™ pump tubing, B/T®..... | 153 |
| PharmaPure® tubing..... | 68, 70, 126, 153 |
| PharMed® BPT tubing..... | 34, 36, 49, 68, 70, 72-73, 126, 128-130, 153 |
| PharMed® BPT tubing, sanitary..... | 72, 129 |
| Pipe thread information..... | 194 |

| | |
|--|-------------------------------|
| Piston pump head adapters..... | 67 |
| Plug and cord sets..... | 171 |
| Precision tubing | |
| B/T®..... | 153 |
| I/P®..... | 126-127 |
| L/S®..... | 68-69 |
| Programmable drives... 94-95, 98-99 | |
| PTFE pump heads | |
| Diaphragm..... | 60-61 |
| Tubing..... | 50-51 |
| Pulse dampener..... | 73 |
| Pump comparisons..... | 14-17 |
| Pump head adapters for 56C-face motors | |
| I/P®..... | 145 |
| L/S®..... | 103 |
| Pump head technical data..... | 181-187 |
| Pump heads | |
| B/T®..... | 159 |
| Cartridge..... | 56-59, 66 |
| Diaphragm..... | 60-61 |
| Easy-Load® | |
| I/P®..... | 122-123 |
| L/S®..... | 46-47 |
| Easy-Load® II..... | 44-45 |
| Easy-Load® 3..... | 42-43 |
| Gear, Micropump®..... | 62 |
| High-Performance | |
| I/P®..... | 124-125 |
| L/S®..... | 48-49 |
| Ismatec®..... | 66 |
| L/S®..... | 38-67 |
| Minicartridge..... | 66 |
| Multichannel..... | 52-55 |
| Multichannel cartridge..... | 56-59 |
| Parts, replacement..... | 168-169 |
| Piston..... | 67 |
| PTFE-diaphragm..... | 60-61 |
| PTFE-tubing..... | 50-51 |
| Rapid-Load®..... | 159 |
| Selection guides | |
| I/P®..... | 118-119 |
| L/S®..... | 38-39 |
| Standard | |
| I/P®..... | 120-121 |
| L/S®..... | 40-41 |
| Pump systems | |
| B/T®..... | 152-158 |
| C/L®..... | 34-37 |
| I/P®..... | 146-151 |
| L/S®..... | 108-117 |
| Selection tips..... | 18 |
| Puri-Flex™ tubing..... | 34, 36, 68, 70, 126, 128, 153 |
| Quick-disconnect fittings..... | 164-165 |
| Rapid-Load® pump heads..... | 159 |
| Ratings, ATEX/IP/NEMA/IEC/NEC..... | 194-195 |
| Regulatory agencies and approvals..... | 193 |
| Replacement parts..... | 168-171 |
| Sampling drives..... | 104-107 |
| Sanitary | |
| Fittings..... | 72, 129 |
| Tubing assemblies..... | 72, 129 |
| Selection guides | |
| B/T® pumps..... | 152 |
| I/P® drives..... | 131 |
| I/P® pump heads..... | 118-119 |
| L/S® drives..... | 74-75 |
| L/S® pump heads..... | 38-39 |
| Sensors | |
| Float switch..... | 161 |
| Fluid leak..... | 161 |
| Level..... | 161 |
| Liqui-Sense®..... | 160-161 |
| ServoDyne™ mixers..... | 96 |

Silicone tubing

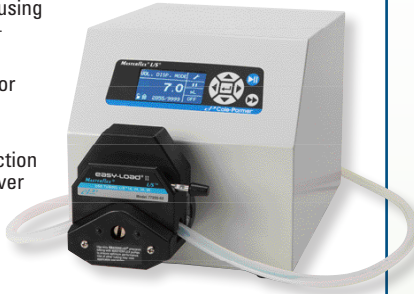
| | |
|--|--|
| BioPharm Plus silicone (platinum-cured)..... | 68, 70, 126, 128, 153 |
| BioPharm silicone (platinum-cured)..... | 68, 70, 73, 126, 128, 130 |
| Bulk-packed..... | 73, 130 |
| Peroxide-cured..... | 34, 36, 68, 70, 73, 126, 128, 130, 153 |
| Platinum-cured..... | 34, 36, 68, 70, 72-73, 126, 128-130, 153 |
| Sanitary..... | 72, 129 |
| Spooled..... | 73, 130 |
| Spooled tubing..... | 73, 130 |
| Stainless steel process drives | |
| I/P®..... | 140-141 |
| L/S®..... | 92-93 |
| Standard pump heads | |
| I/P®..... | 120-121 |
| L/S®..... | 40-41 |
| Stir-Pak® mixers..... | 97 |
| Stirrers, overhead..... | 96-97 |
| Technical data | |
| Application tips | |
| Abrasive fluids..... | 190 |
| Dispensing..... | 188-189 |
| Viscous fluids..... | 190-191 |
| ATEX hazardous area classifications..... | 195 |
| Chemical resistance charts..... | 198-206 |
| Conversion factors..... | 197 |
| Glossary of terms..... | 196 |
| IEC enclosure ratings..... | 194 |
| Ingress protection (IP) ratings..... | 194 |
| NEC hazardous area classifications..... | 195 |
| NEMA ratings..... | 194 |
| Pump head data | |
| Flow rates..... | 181-185 |
| Pressure and suction lift..... | 184-185 |
| Torque requirements... 186-187 | |
| Regulatory agencies/ approvals..... | 193 |
| Standard pipe threads..... | 194 |
| Tubing chemical compatibility..... | 30-31 |
| Tubing life data | |
| B/T®..... | 179-180 |
| I/P®..... | 176-178 |
| L/S®..... | 173-175 |
| Torque requirements, pump heads..... | 186-187 |
| Tubing | |
| Accessories..... | 162-167 |
| BioPharm Plus silicone (platinum-cured)..... | 68, 70, 126, 128, 153 |
| BioPharm silicone (platinum-cured)..... | 68, 70, 73, 126, 128, 130 |
| B/T®..... | 153 |
| Bulk-packed..... | 73, 130 |
| C-FLEX®..... | 34, 36, 68, 70, 73, 126, 128, 130, 153 |
| C-Flex® ULTRA..... | 68, 70, 126 |
| Chem-Durance® Bio..... | 69, 71, 127-128, 153 |
| Chemical compatibility tables..... | 30-31 |
| C/L®..... | 34, 36 |
| Clamps..... | 166-167 |
| Cutters..... | 162 |
| Fittings..... | 162-166 |

| | |
|---|--|
| Formulation descriptions.... | 20-24 |
| Formulation highlights..... | 25-29 |
| GORE® | |
| Style 100SC..... | 69, 71, 127-128, 153 |
| Style 400..... | 69, 71, 127-128, 153 |
| Style 500..... | 69, 71, 127-128 |
| High-Performance Precision | |
| B/T®..... | 153 |
| I/P®..... | 128 |
| L/S®..... | 70-71 |
| High-pressure..... | 49 |
| Introduction..... | 19-31 |
| I/P®..... | 126-130 |
| L/S®..... | 68-73 |
| Microbore..... | 34, 36 |
| Norprene®..... | 69, 71, 127-128 |
| Norprene® food..... | 69, 71, 73, 127-128, 153 |
| PerfectPosition™, B/T®..... | 153 |
| Peroxide-cured silicone... 34, 36, 68, 70, 73, 126, 128, 130, 153 | |
| PharmaPure®..... | 68, 70, 126, 153 |
| PharMed® BPT..... | 34, 36, 49, 68, 70, 72-73, 126, 128-130, 153 |
| Platinum-cured silicone..... | 34, 36, 68, 70, 72-73, 126, 128-130, 153 |
| Precision | |
| B/T®..... | 153 |
| I/P®..... | 126-127 |
| L/S®..... | 68-69 |
| PTFE..... | 50 |
| Puri-Flex™ tubing..... | 34, 36, 68, 70, 126, 128, 153 |
| Sanitary tubing assemblies..... | 72, 129 |
| Silicone | |
| BioPharm..... | 68, 70, 73, 126, 128, 130 |
| BioPharm Plus..... | 68, 70, 126, 128, 153 |
| Peroxide-cured... 34, 36, 68, 70, 73, 126, 128, 130, 153 | |
| Platinum-cured..... | 34, 36, 68, 70, 72-73, 126, 128-130, 153 |
| Spooled..... | 73, 130 |
| Technical data..... | 20-31, 172-192 |
| Tygon® Chemical..... | 69, 71, 127 |
| Tygon® E-Food..... | 69, 71, 127-128, 153 |
| Tygon® E-Lab..... | 34, 36, 69, 71, 127-128 |
| Tygon® E-LFL..... | 34, 36, 69, 71, 127-128, 153 |
| Tygon® Fuel & Lubricant..... | 69, 71, 127 |
| Viton®..... | 34, 36, 69, 71, 127 |
| Tubing chemical compatibility tables..... | 30-31 |
| Tubing life data..... | 172-180 |
| Tygon® tubing..... | 34, 36, 69, 71, 127-128, 153 |
| Variable-speed drives | |
| B/T®..... | 154-157 |
| C/L®..... | 34-37 |
| DC-powered..... | 107 |
| I/P®..... | 132-142, 144 |
| L/S®..... | 78-95, 98-99, 101-102 |
| Viton® tubing..... | 34, 36, 69, 71, 127 |
| Washdown drives | |
| B/T®..... | 154-158 |
| I/P®..... | 132-141 |
| L/S®..... | 86-87, 90-93 |
| Water sampling pumps..... | 104-107 |

NEW PRODUCT HIGHLIGHTS

L/S® DIGITAL PROCESS DRIVES

- ▶ Sealed powder-coat steel housing is IP66 and NEMA 4X rated—spray or hose down to clean
- ▶ Intuitive graphical interface for easy setup and operation
- ▶ Dispense by volume, time, or copy; cumulative volume function totalizes volume dispensed over multiple batches
- ▶ Flow rates from 0.006 to 3400 mL/min with L/S pump tubing
- ▶ See pages 92–93



I/P® DIGITAL MODULAR DISPENSING DRIVES

- ▶ Intuitive graphical interface for easy setup and operation
- ▶ Dispense by volume, time, or copy; cumulative volume and batch functions
- ▶ Modular format lets you place drive and controller where convenient
- ▶ Available with either a benchtop or washdown wall-mount controller
- ▶ Flow rates from 0.0006 to 19 LPM with I/P pump tubing
- ▶ See pages 138–139



L/S® PRECISION MODULAR DRIVES

- ▶ Three-digit LED displays speed in rpm—ensures repeatable settings
- ▶ Modular format lets you place drive and controller where convenient
- ▶ Available with either a benchtop or washdown wall-mount controller
- ▶ Remote control of speed, start/stop, direction
- ▶ Flow rates from 0.06 to 3400 mL/min with L/S pump tubing
- ▶ See pages 86–87



MASTERFLEX® TYGON® E-FOOD PUMP TUBING



- ▶ New non-DEHP formulation offers global approvals for the food, beverage, and sanitary industries
- ▶ Pumping life is second only to Masterflex Tygon E-LFL for the clear Tygon formulations
- ▶ Smooth inner bore resists entrapment of particles and contaminants
- ▶ Resistant to harsh cleaners, sanitizers; sterilize via EtO or autoclave
- ▶ Compliant with FDA, 3-A, EU Food, and NSF 51 standards
- ▶ See pages 22, 69, 71, 127–128, and 153

CUSTOM CUT-TO-LENGTH TUBING SERVICE: SAVE TIME AND ENHANCE EFFICIENCY!

Tell us what tubing, how long, and how many pieces you need. We'll take care of the rest!

- ▶ Choose from our wide selection of tubing brands, formulations, and sizes
- ▶ Tubing lengths can be bulk or bagged, nonsterile, gamma irradiated, or even validated sterile
- ▶ We will provide you with samples to test in your application before you place an order

Contact a Cole-Parmer representative today at **866-802-0579** or go to ColeParmer.com/ctftubing for more information.





99989-12

DISCOVER THE *MASTERFLEX*® ADVANTAGE!

L/S® Modular Drives

See pages 86–87, 90–91



Why we're tried, tested, and trusted around the world:

- ▶ Best value of peristaltic tubing pumps in the market
- ▶ Easy to install, operate, and maintain
- ▶ Contamination-free and easy to clean—simply change tubing
- ▶ Interchangeable pump heads to customize a single pump drive
- ▶ Wide selection of Masterflex pump tubing formulations and sizes

Compare
Masterflex pumps
to other pump
technologies,
see pages 14–17



I/P® Modular Drives

See pages 132–133, 138–139